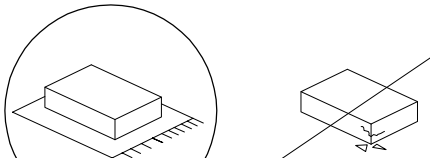


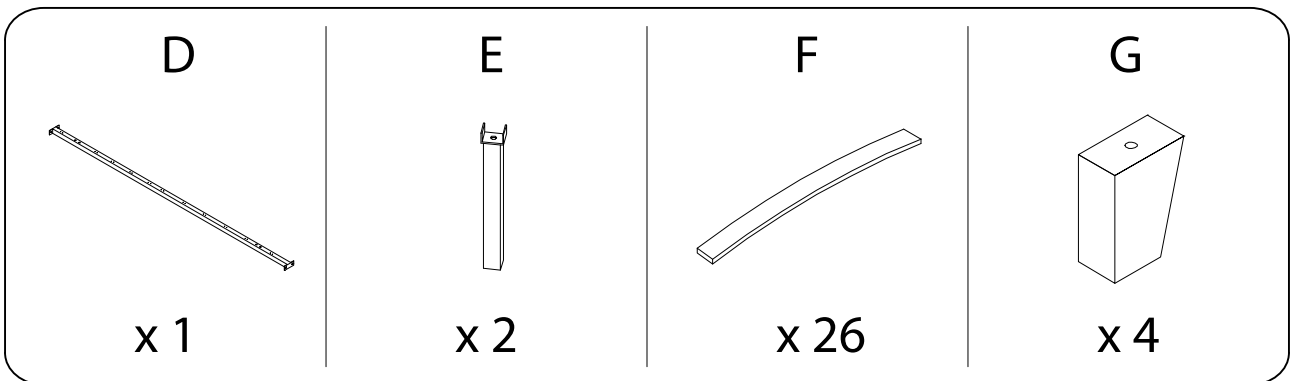
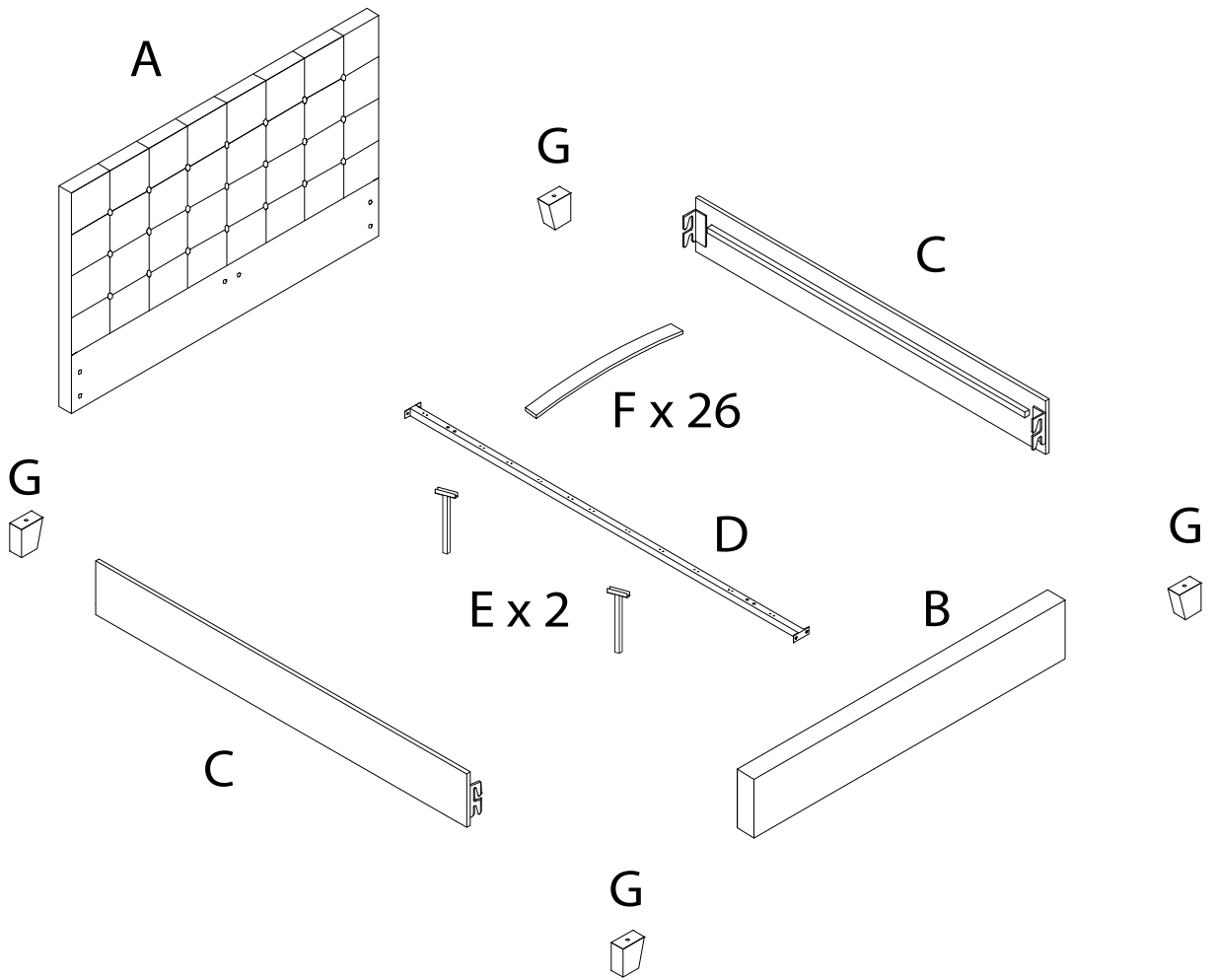
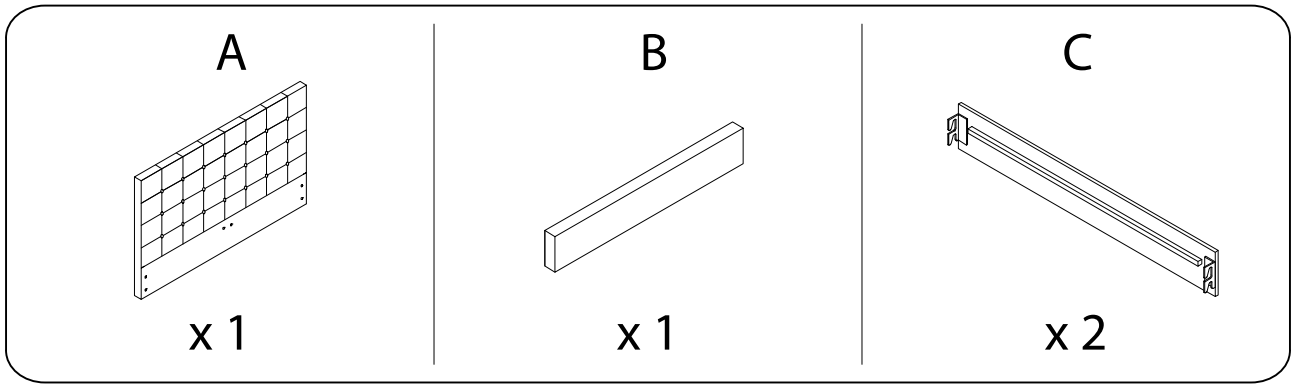
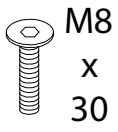

		<p>45'</p>
		
		<p>2</p>

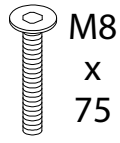


H



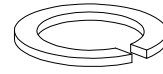
x 14

I



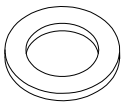
x 4

J



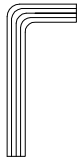
x 8

K



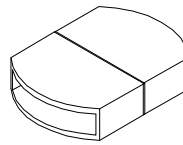
x 10

L



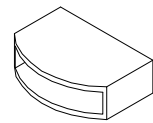
x 1

M



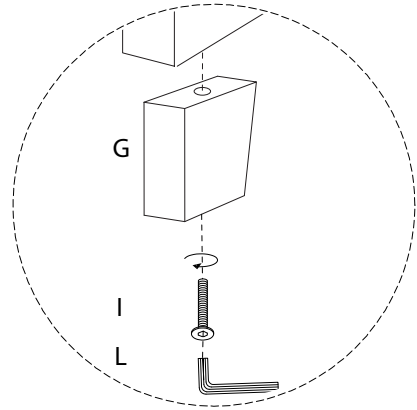
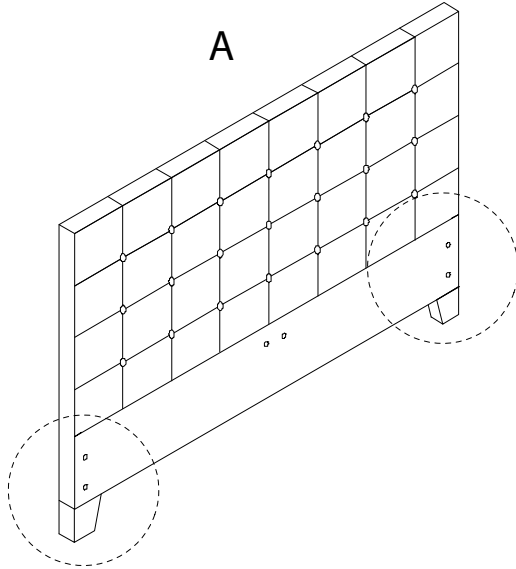
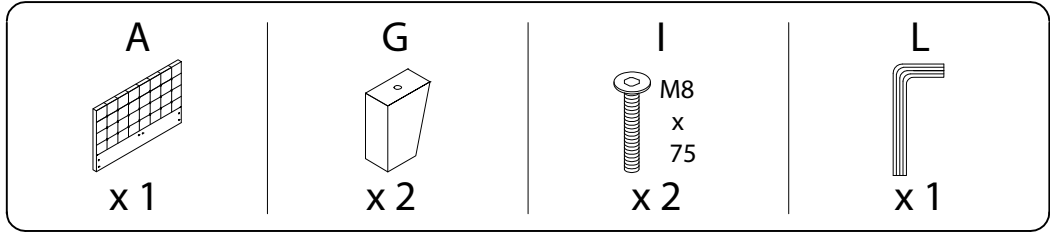
x 13

N

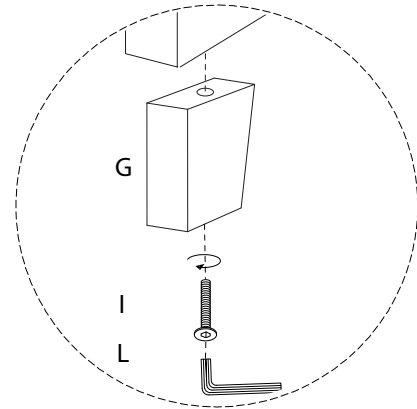
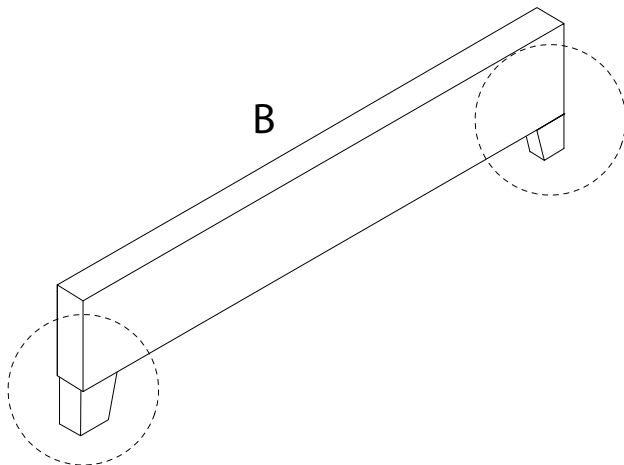
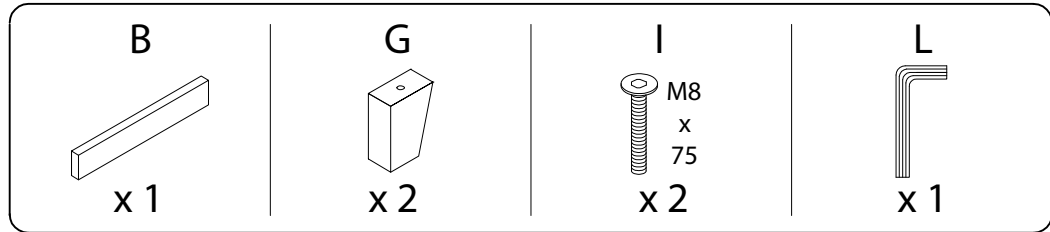


x 26

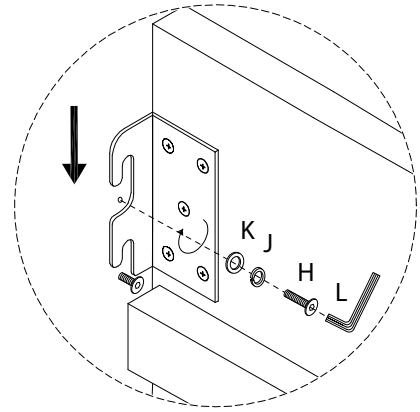
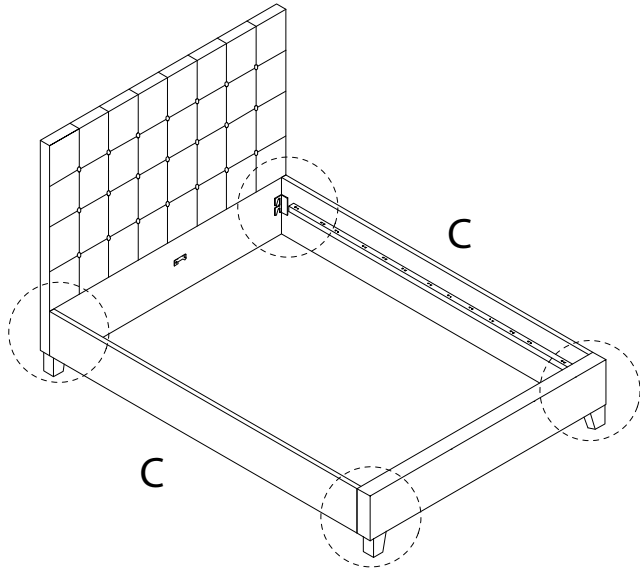
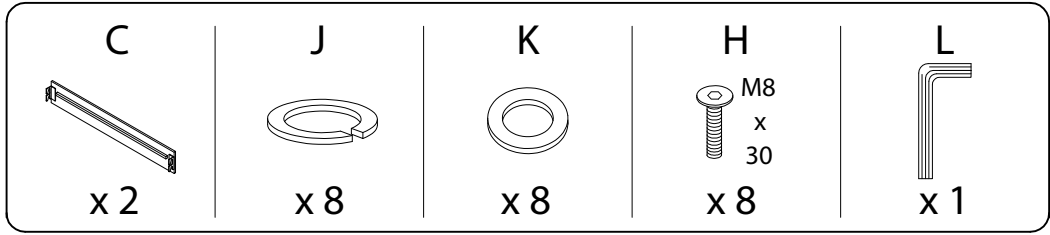
1



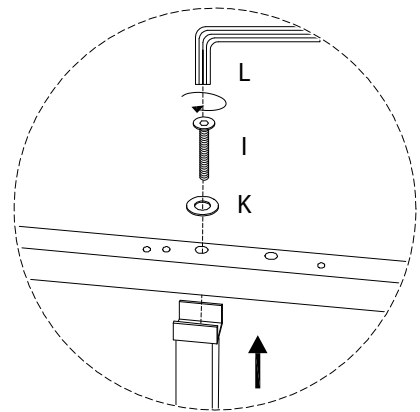
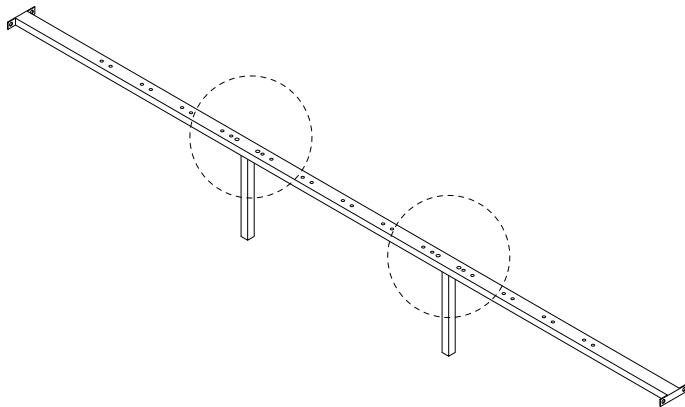
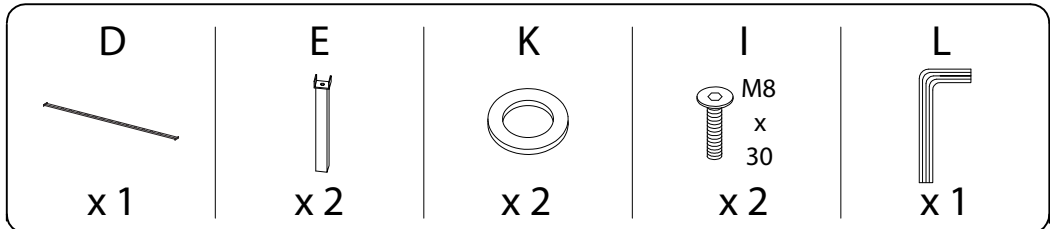
2



3

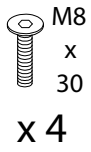


4

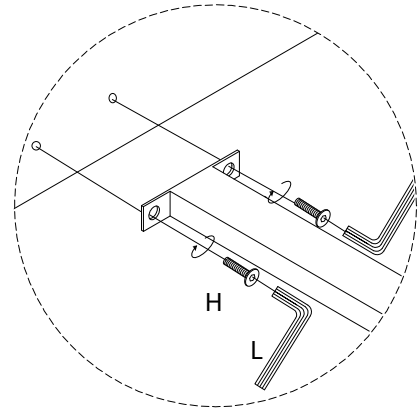
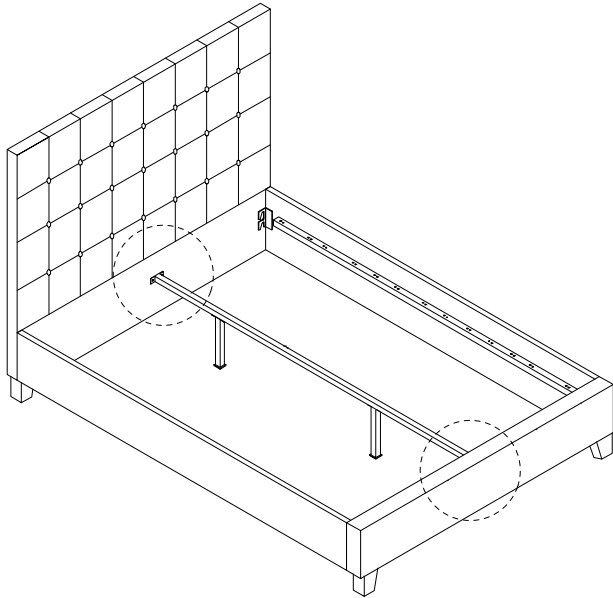
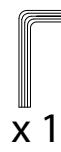


5

H

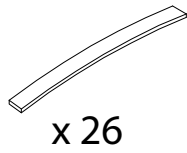


L



6

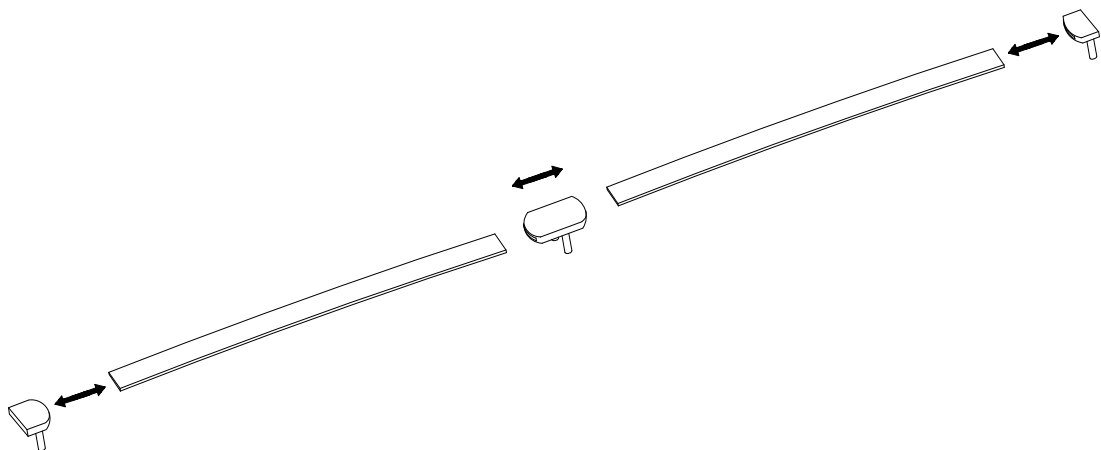
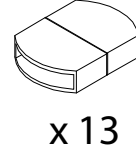
F



N



M



7

