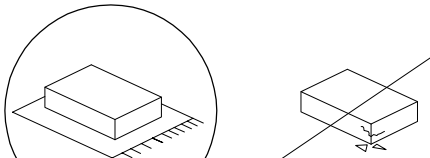
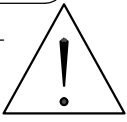
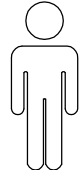
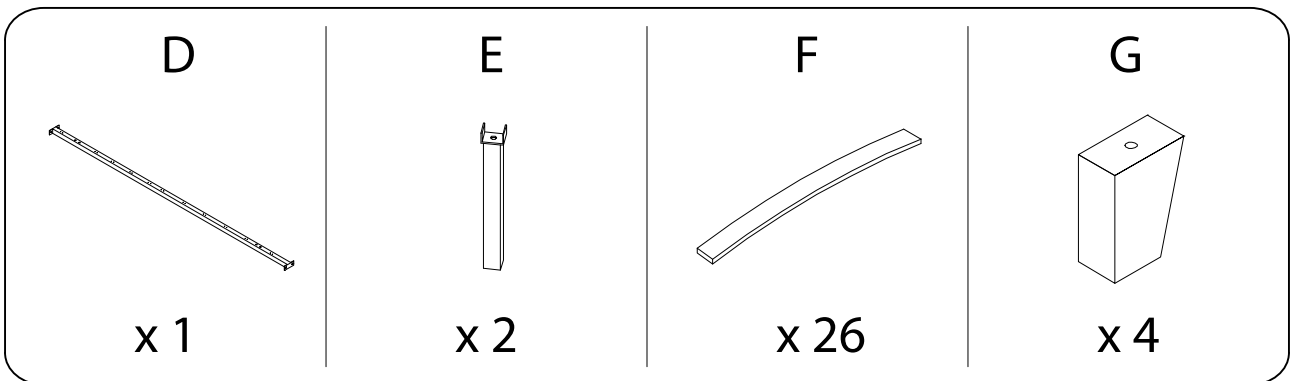
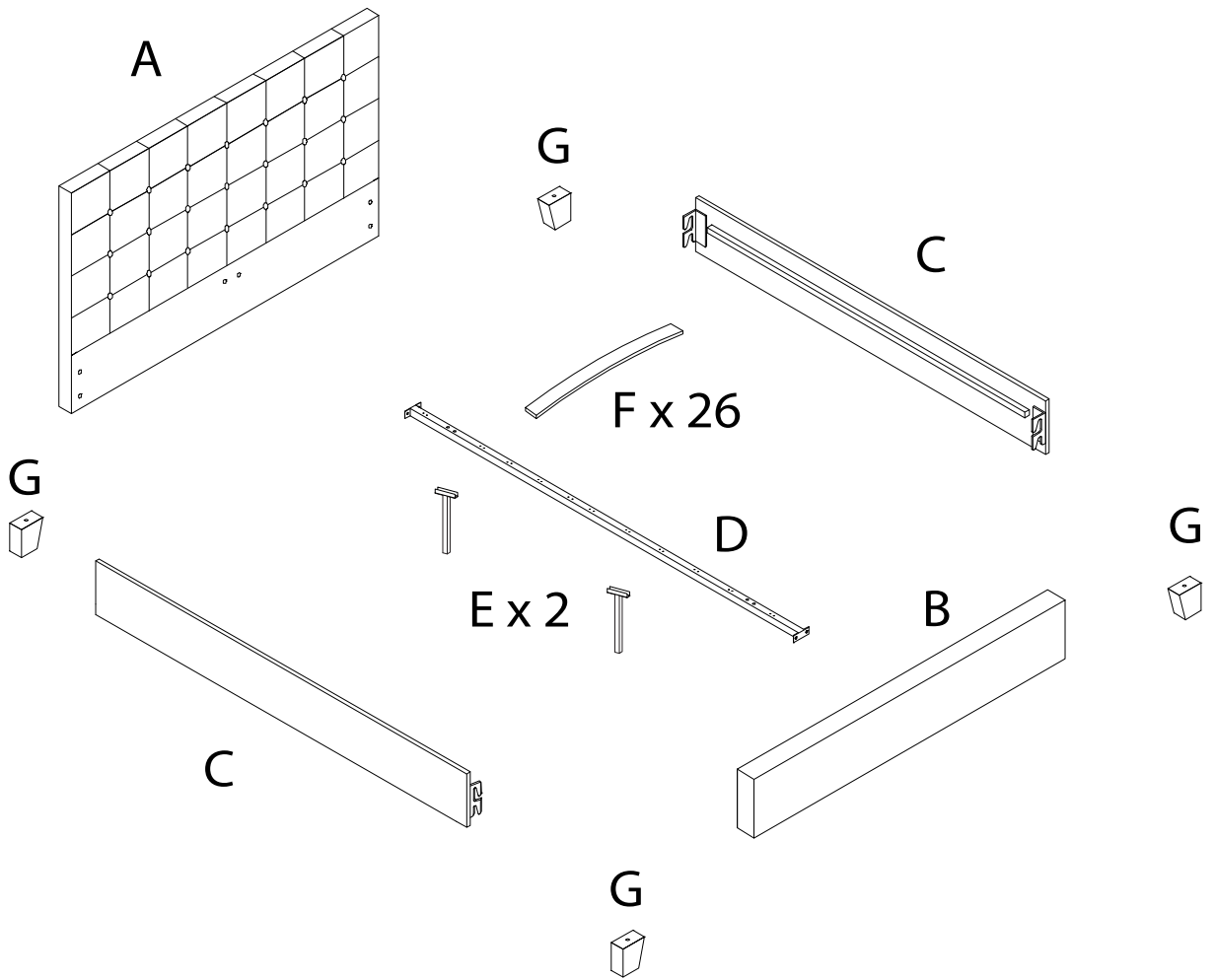
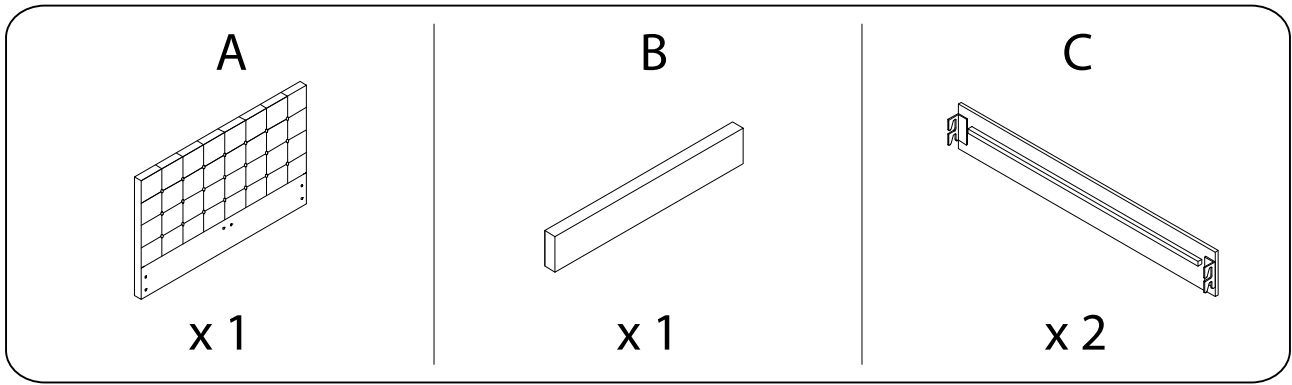
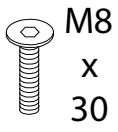

		45'
		
		2

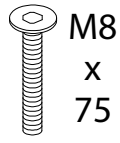


H



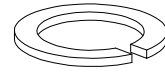
x 14

I



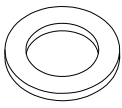
x 4

J



x 8

K



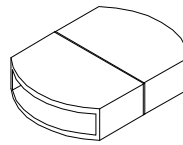
x 10

L



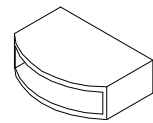
x 1

M



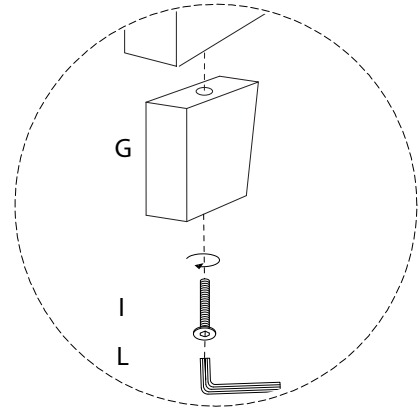
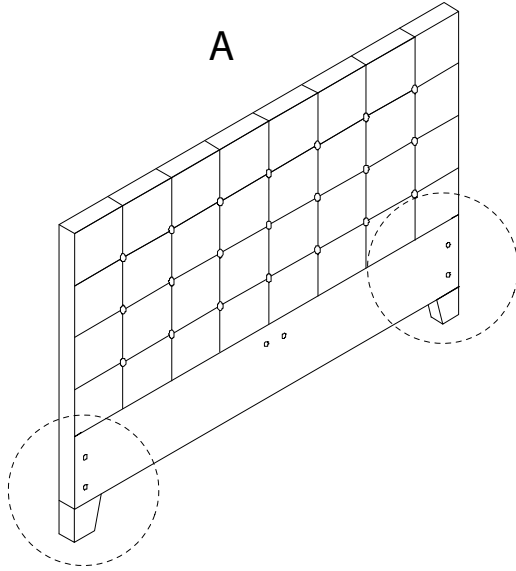
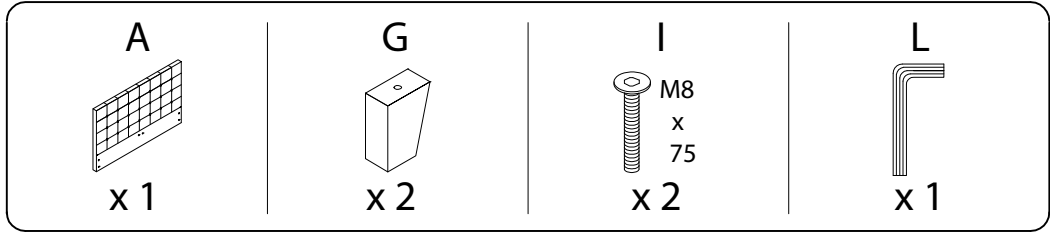
x 13

N

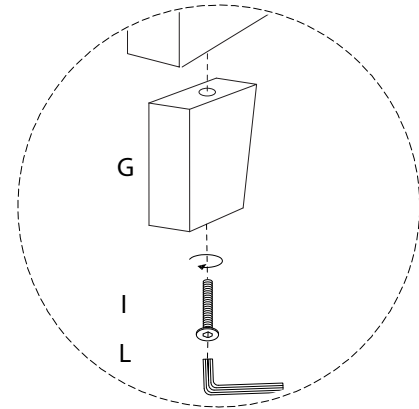
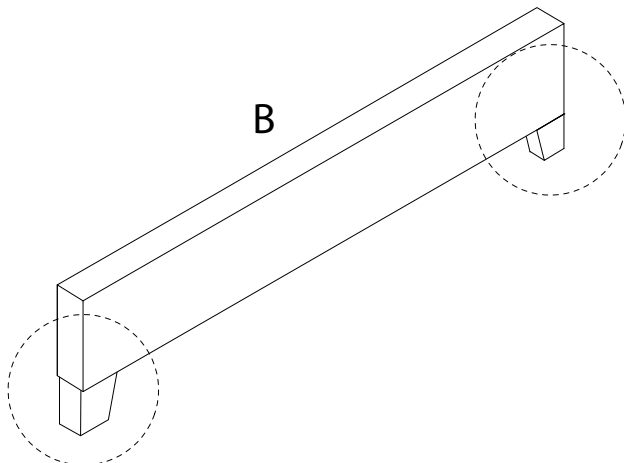
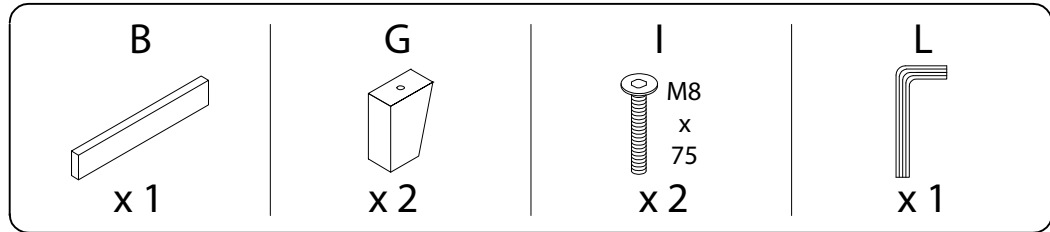


x 26

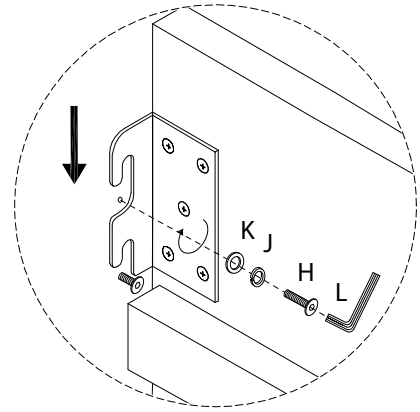
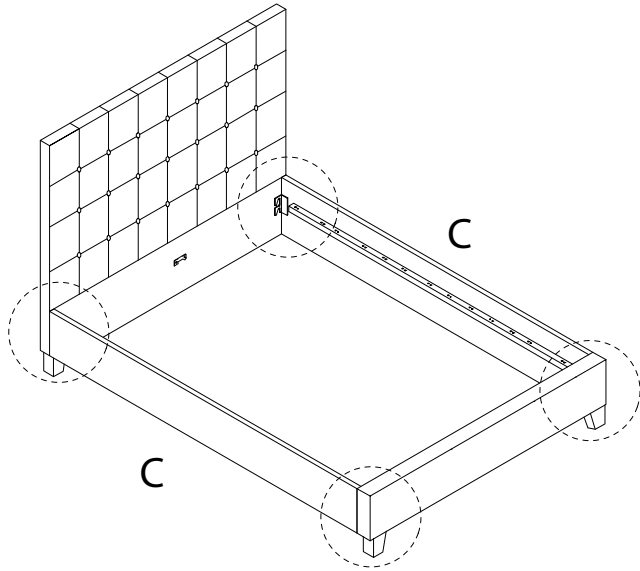
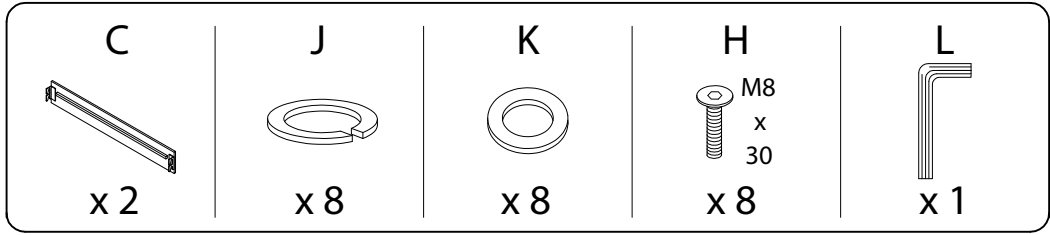
1



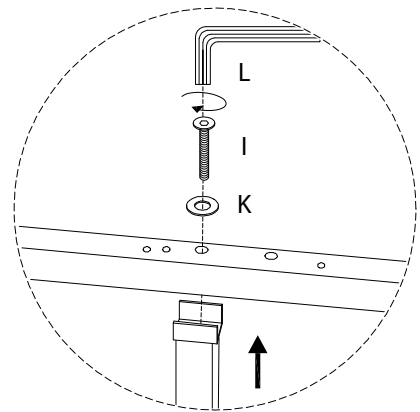
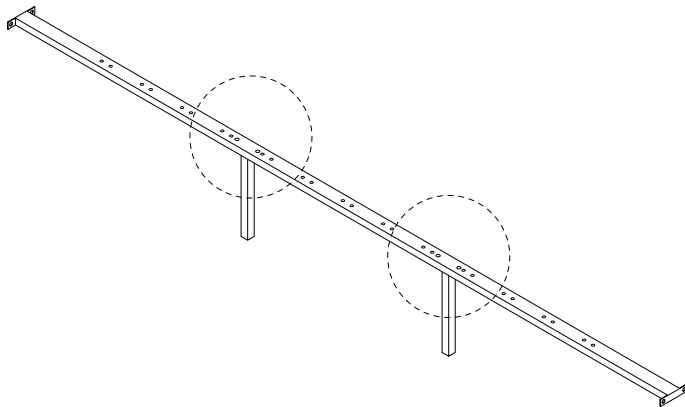
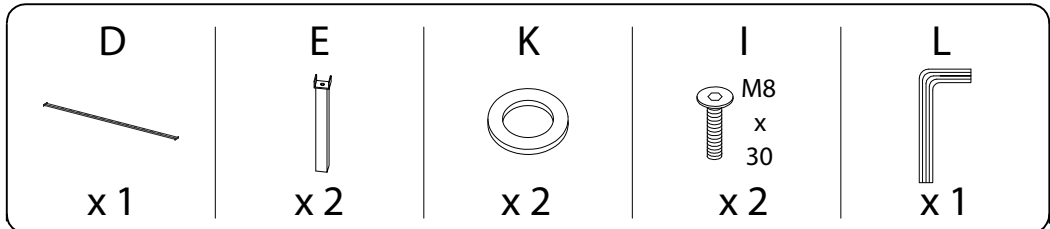
2



3

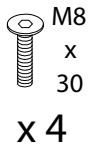


4

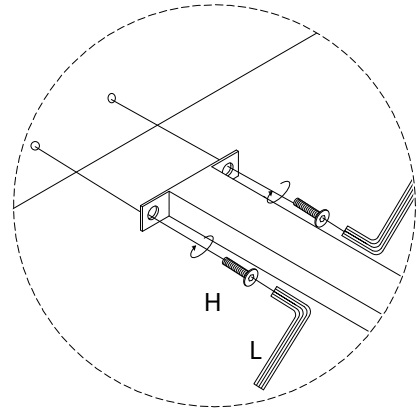
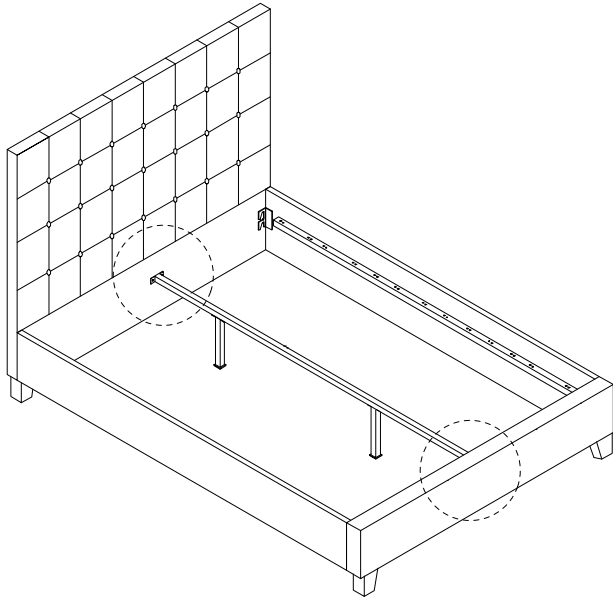
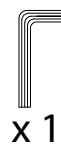


5

H

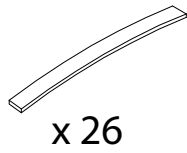


L



6

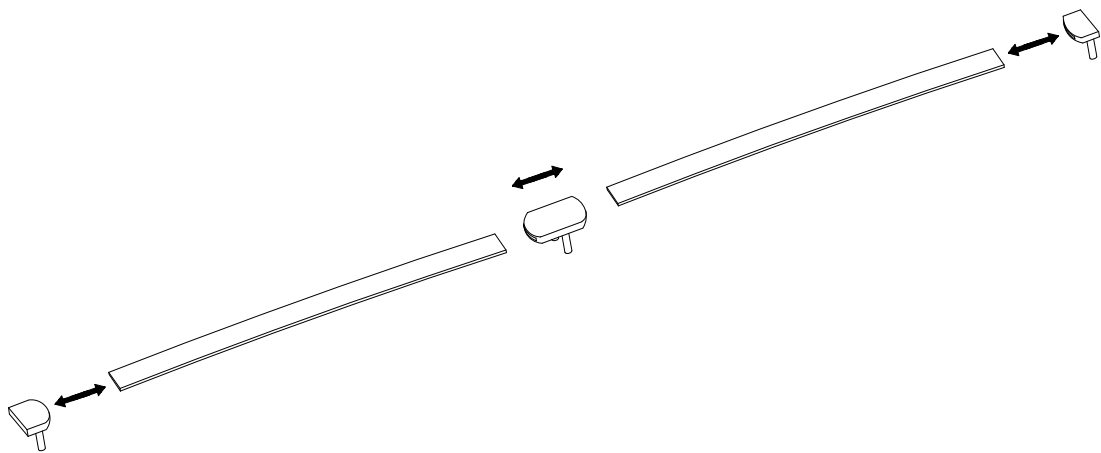
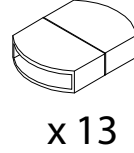
F



N



M



7

