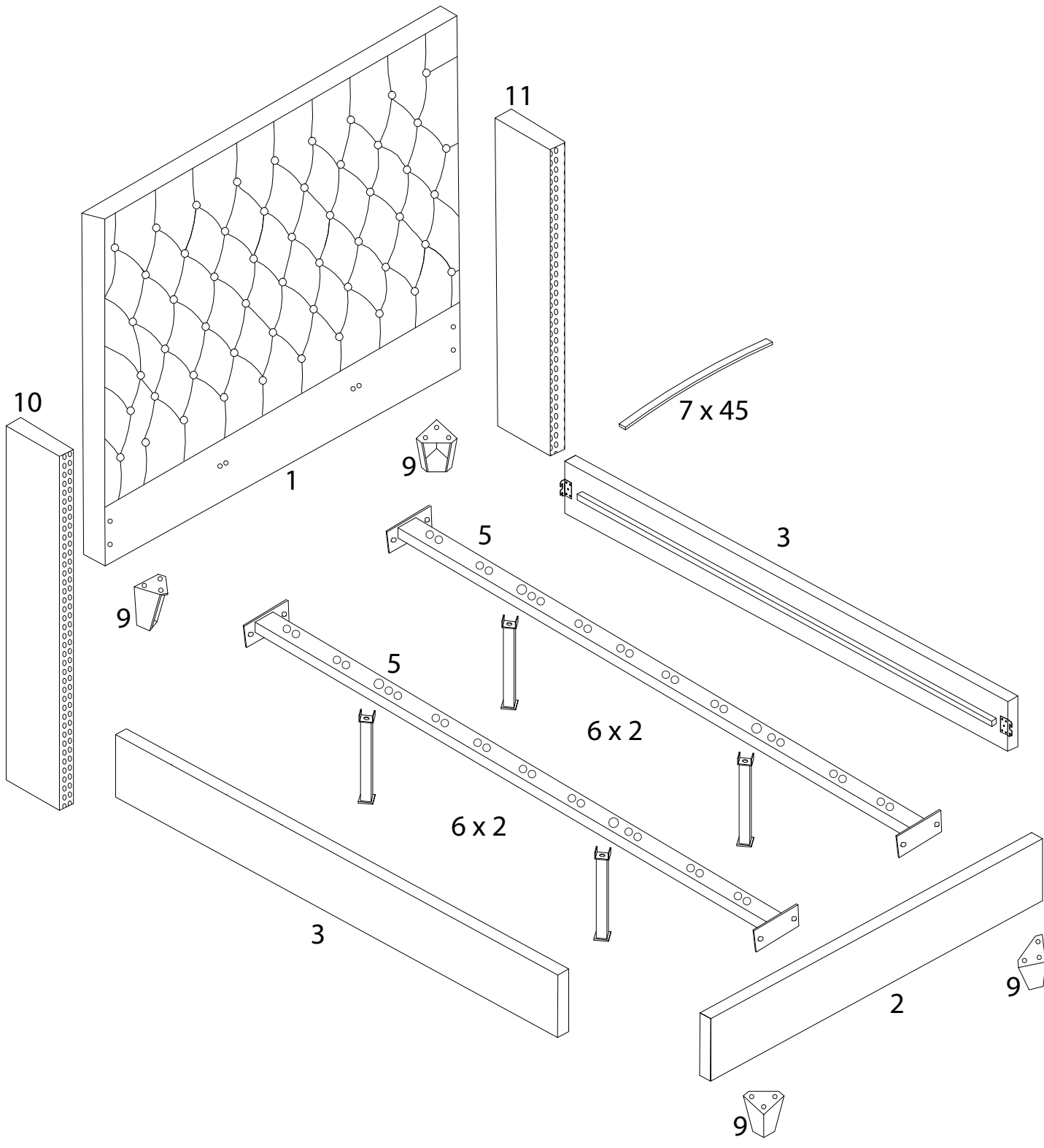
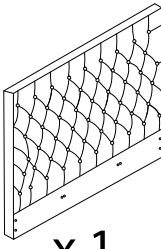
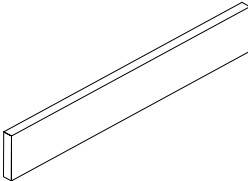
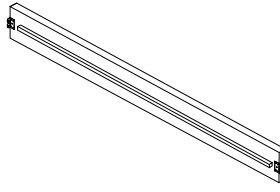
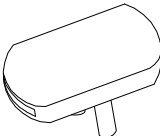


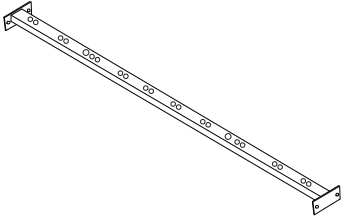

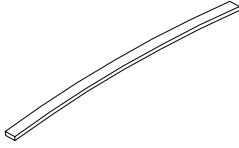
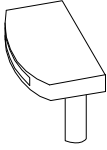
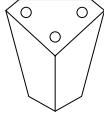
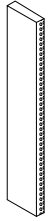
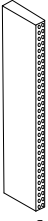
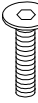

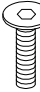
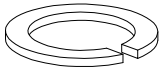
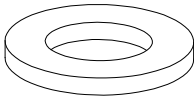
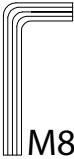

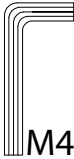
Diagram illustrating the assembly steps for the bed frame, including safety warnings, time estimate, and required personnel.

Step 1: Shows the installation of a corner brace. A warning symbol (exclamation mark in a triangle) is present. A clock icon indicates a time estimate of **30'**.

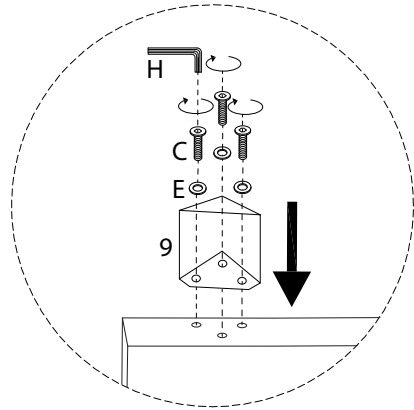
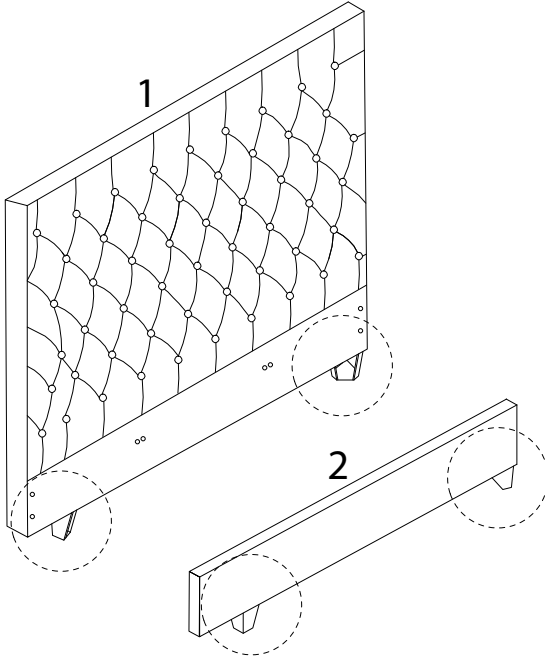
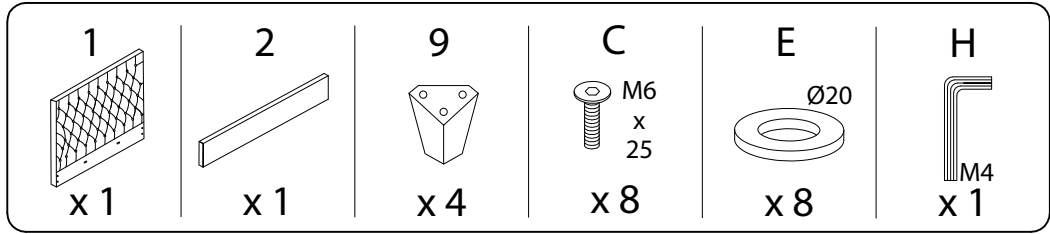
Step 2: Shows the installation of a mattress. A warning symbol (exclamation mark in a triangle) is present. A person icon indicates that **2** people are required.



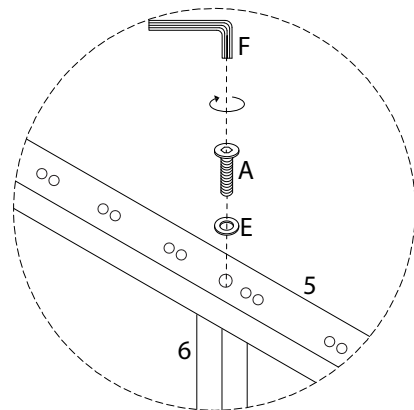
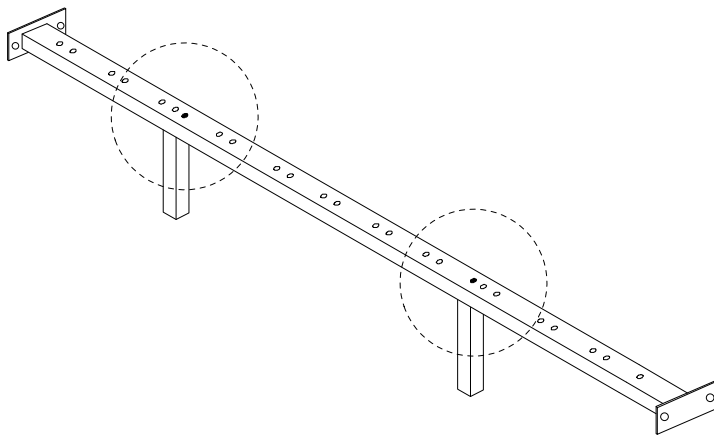
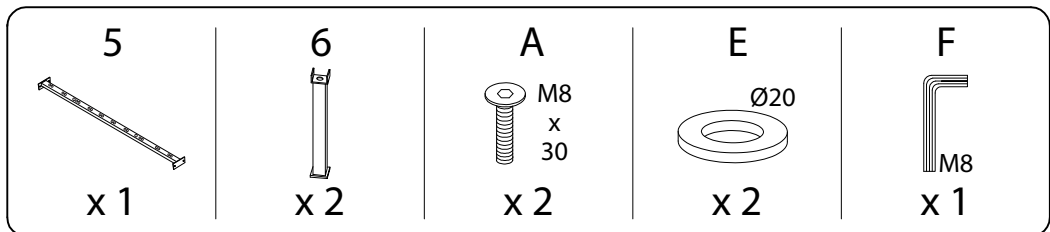
<p>1</p>  <p>x 1</p>	<p>2</p>  <p>x 1</p>	<p>3</p>  <p>x 2</p>	<p>4</p>  <p>x 30</p>
---	---	--	--

<p>5</p>  <p>x 2</p>	<p>6</p>  <p>x 4</p>	<p>7</p>  <p>x 45</p>
<p>8</p>  <p>x 30</p>	<p>9</p>  <p>x 4</p>	<p>10</p>  <p>x 1</p>
<p>11</p>  <p>x 1</p>	<p>A</p>  <p>M8 x 30</p> <p>x 20</p>	<p>B</p>  <p>M8 x 75</p> <p>x 6</p>
<p>C</p>  <p>M6 x 25</p> <p>x 8</p>	<p>D</p>  <p>x 8</p>	<p>E</p>  <p>Ø20</p> <p>x 20</p>
<p>F</p>  <p>M8</p> <p>x 1</p>	<p>G</p>  <p>Ø22</p> <p>x 6</p>	<p>H</p>  <p>M4</p> <p>x 1</p>

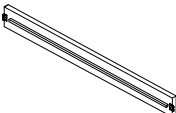
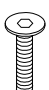


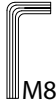
1

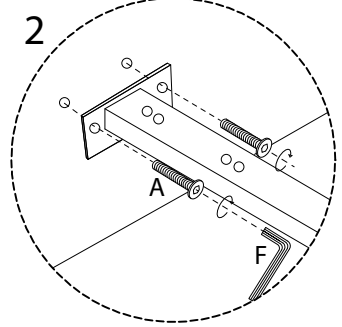
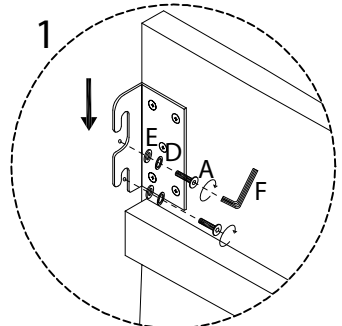
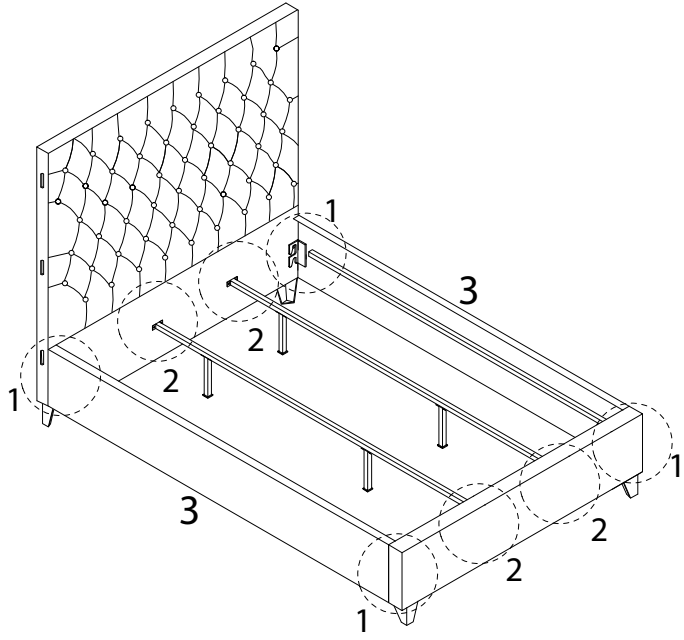


2 x 2


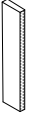
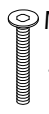




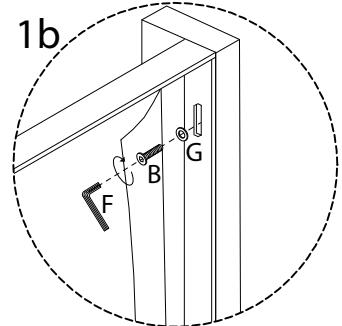
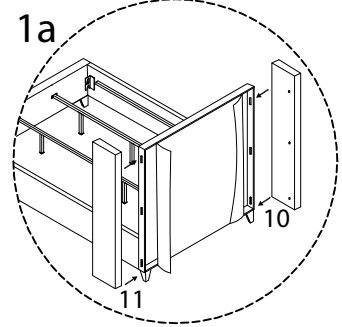
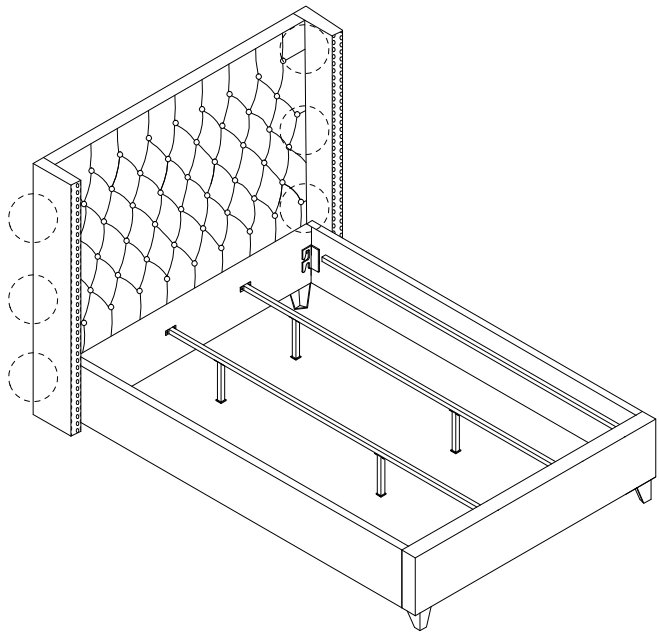
3

3  x 2	A  M8 x 30 x 16	D  x 8	E  Ø20 x 8	F  M8 x 1
--	--	--	--	---

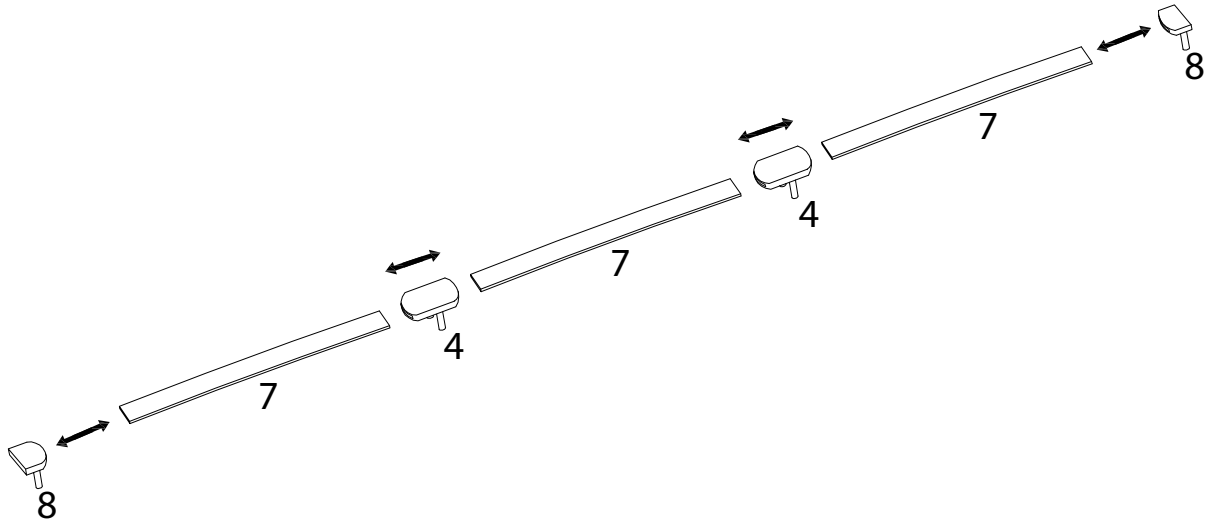
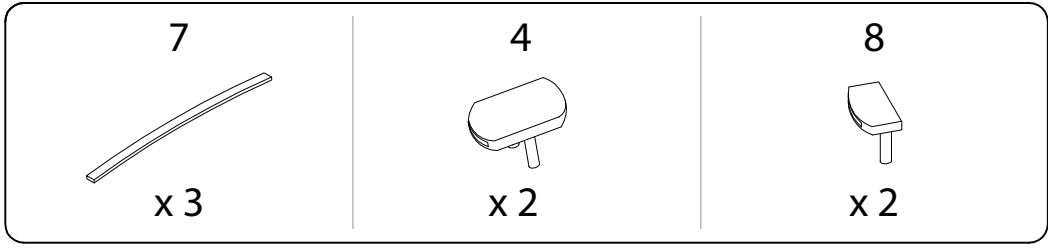


4

10  x 1	11  x 1	B  M8 x 75 x 6	F  M8 x 1	G  Ø22 x 6
---	---	---	---	--



5 x 15



6 x 15

