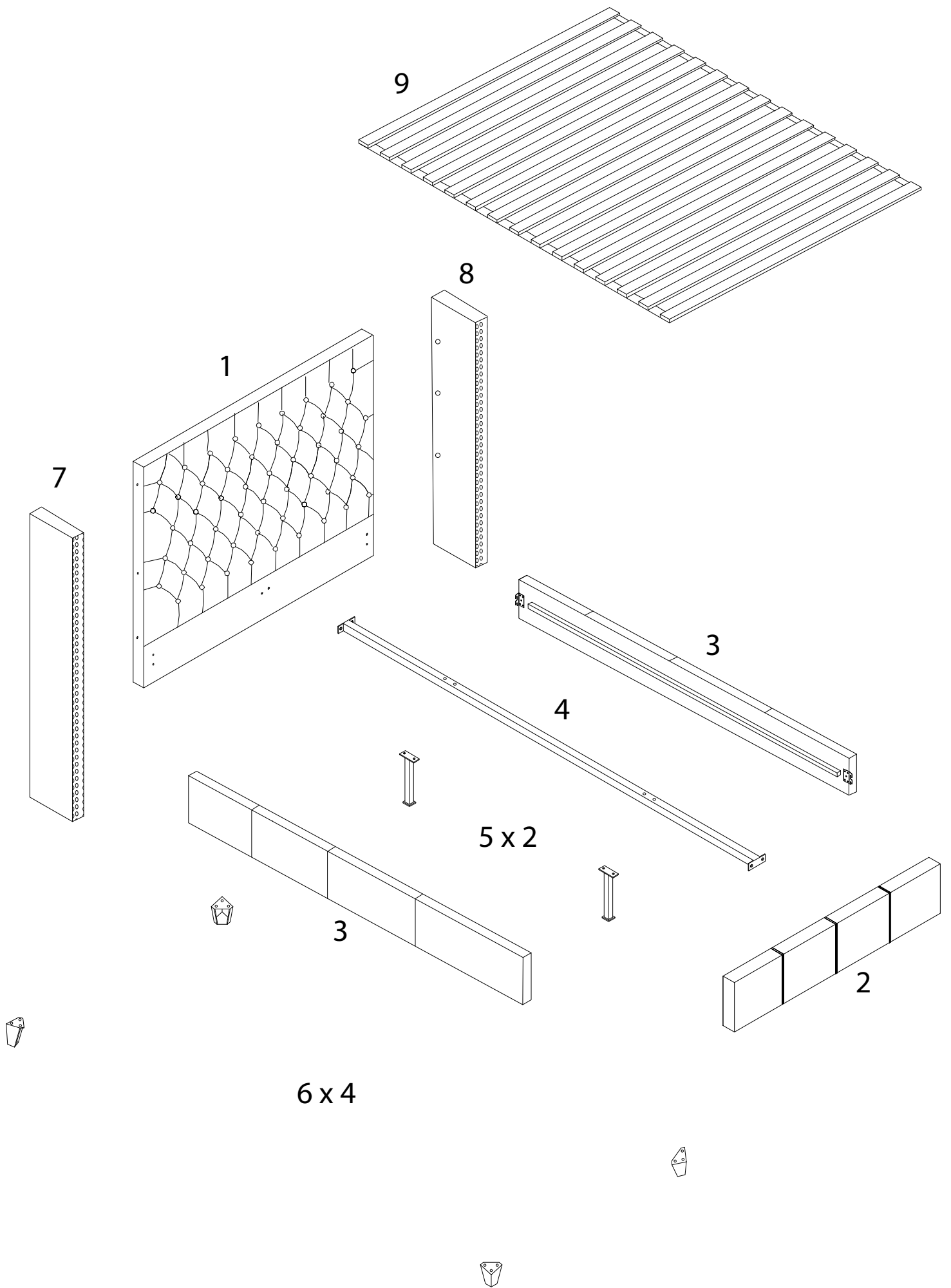
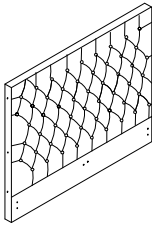


Assembly instructions for the bed frame:

- Tools:** A circle containing an Allen key, a screwdriver, and a wrench. A power drill is shown with a diagonal line through it, indicating it should not be used.
- Warning:** A triangle with an exclamation mark.
- Time:** A clock icon with the text "30'" below it, indicating an estimated assembly time of 30 minutes.
- Personnel:** A person icon with the number "2" below it, indicating that two people are required for assembly.

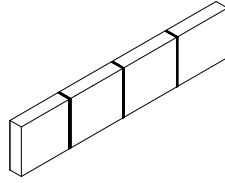


1



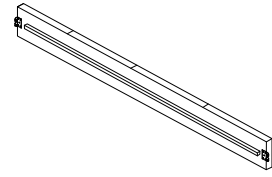
x 1

2



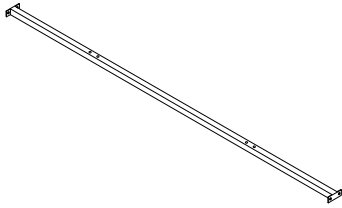
x 1

3



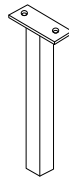
x 2

4



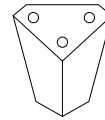
x 1

5



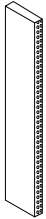
x 2

6



x 4

7



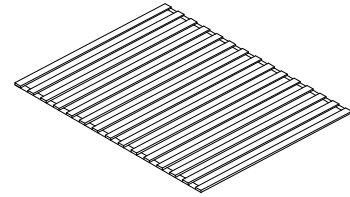
x 1

8



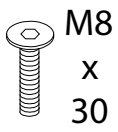
x 1

9



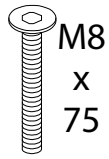
x 1

A



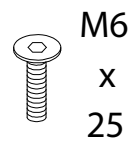
x 16

B



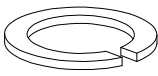
x 6

C



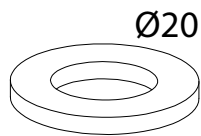
x 8

D



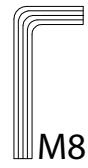
x 8

E



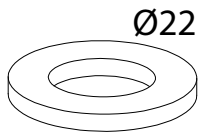
x 24

F



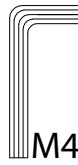
x 1

G



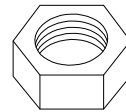
x 6

H



x 1

I



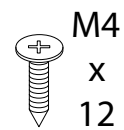
x 4

J



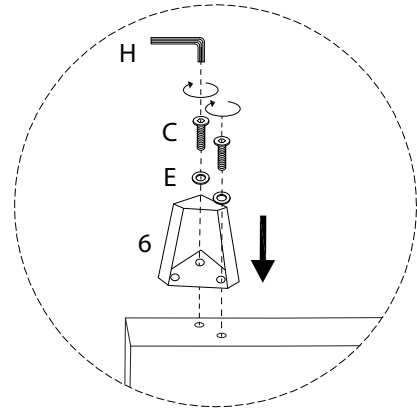
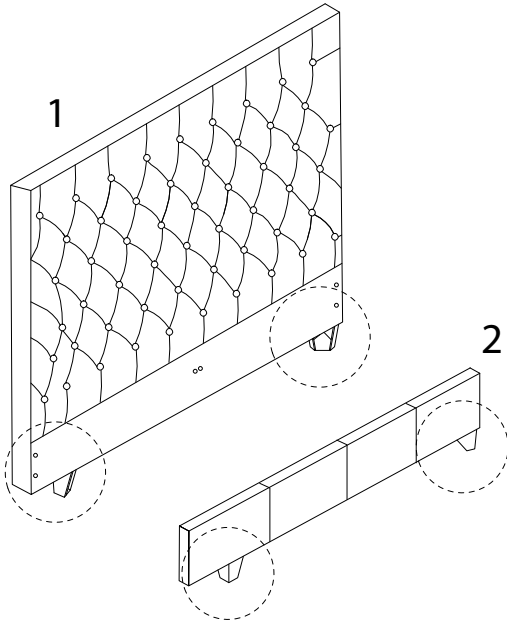
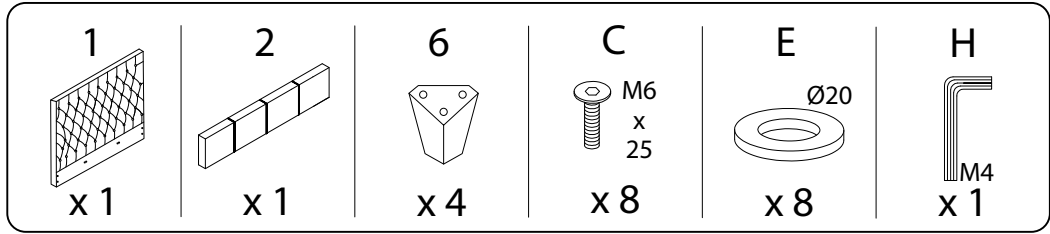
x 1

K

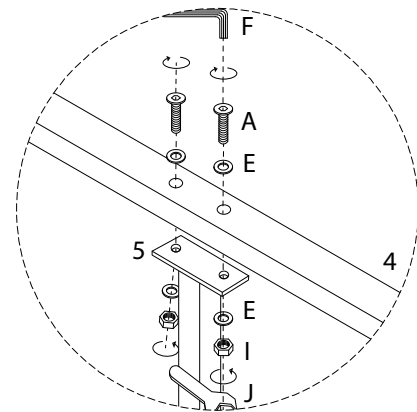
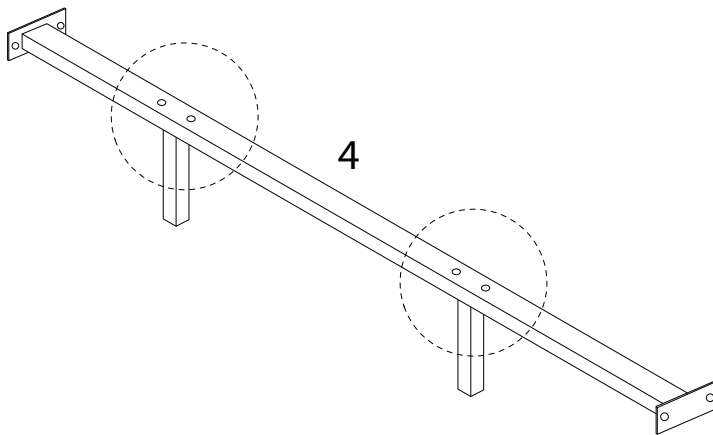
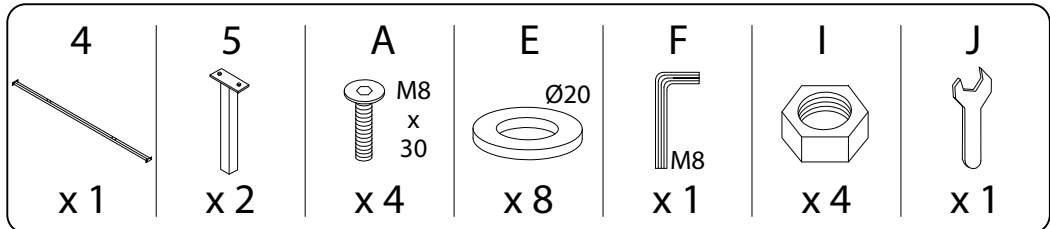


x 6

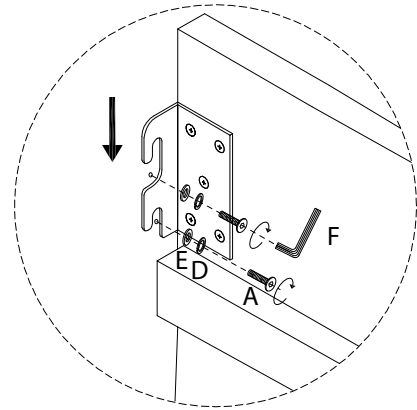
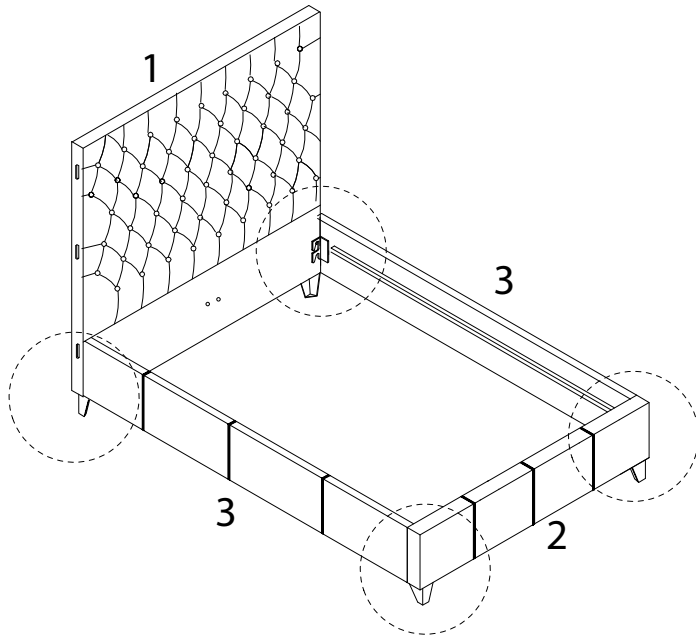
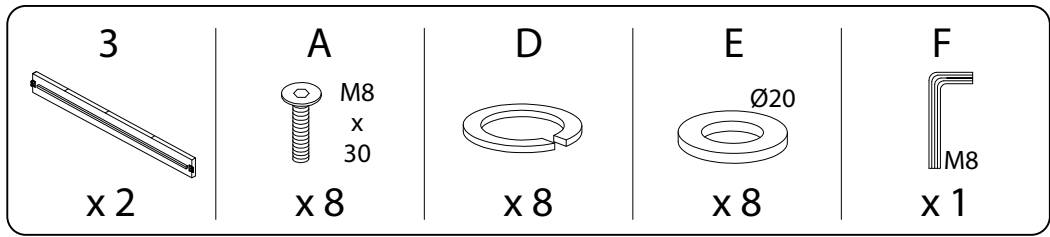
1



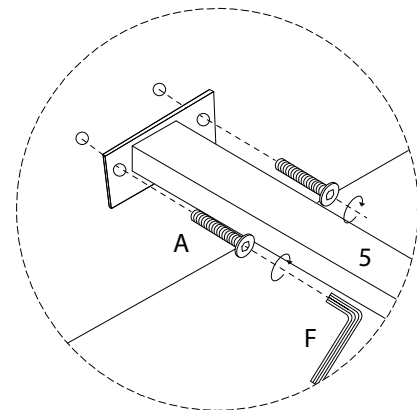
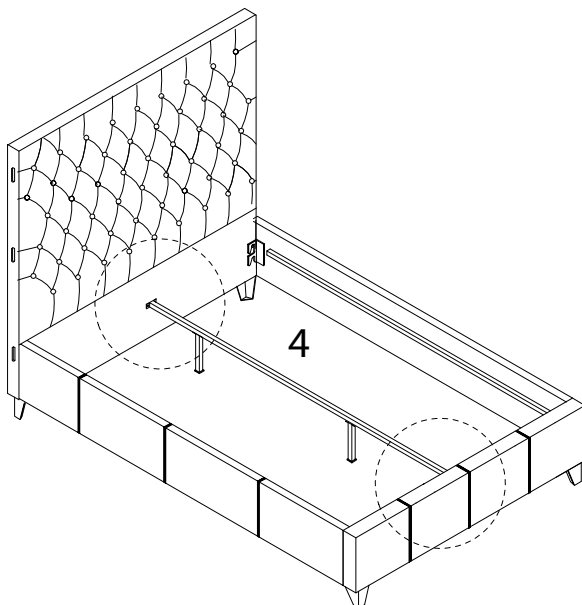
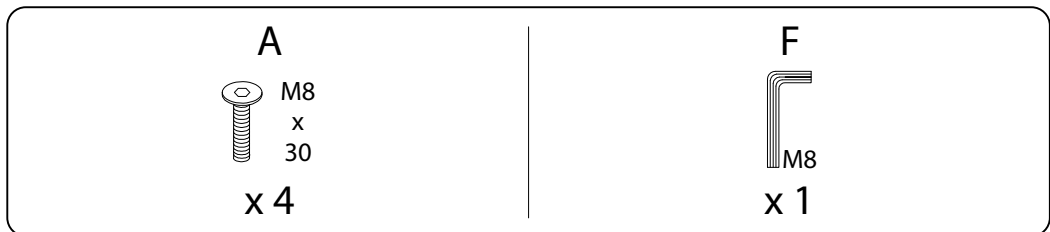
2



3

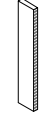


4



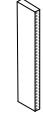
5

7



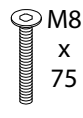
x 1

8



x 1

B



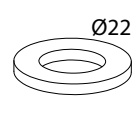
x 6

F

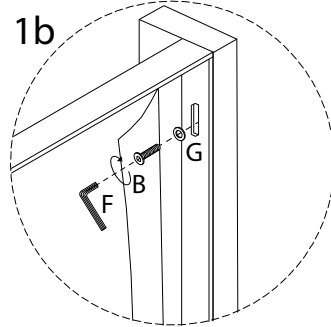
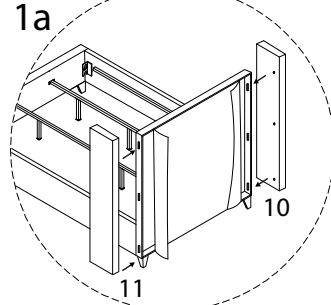
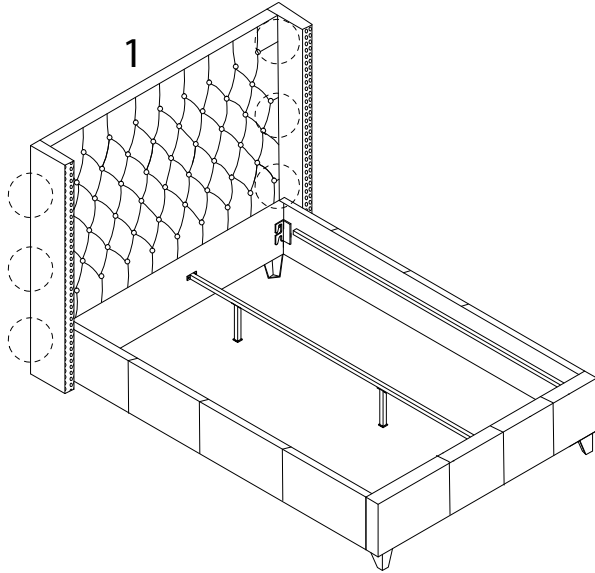


x 1

G

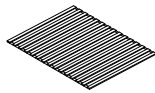


x 6



6

9



x 1

K



x 6

