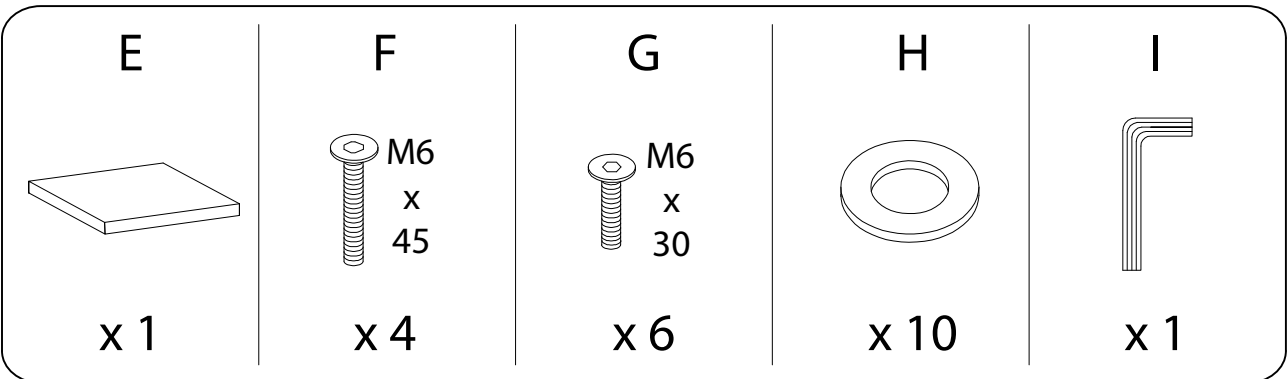
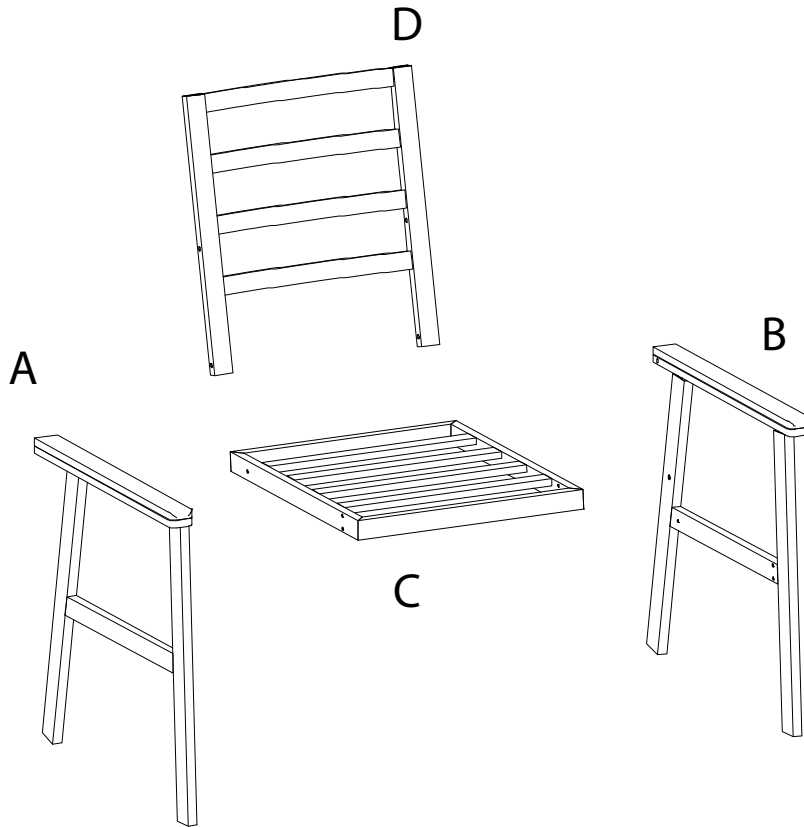
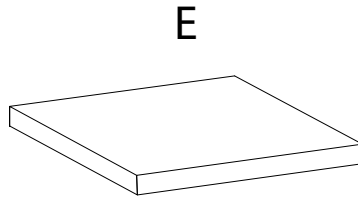
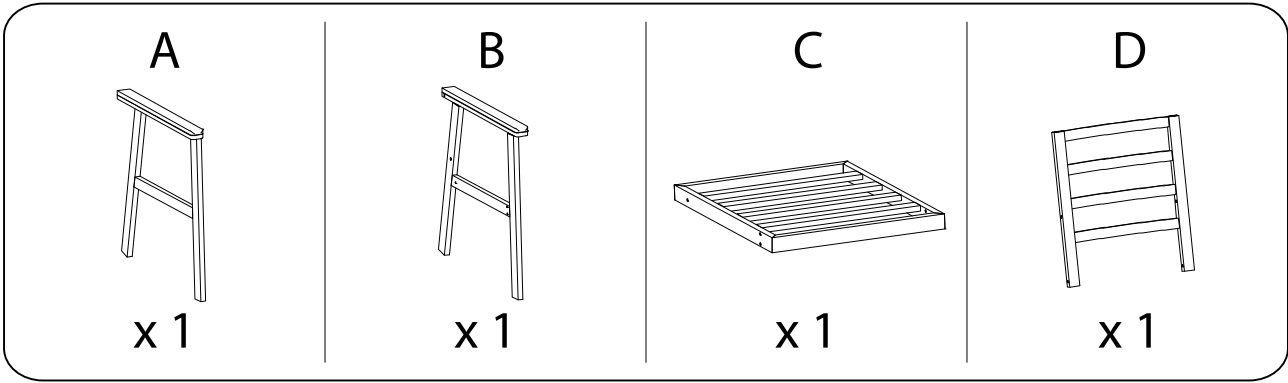


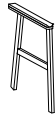
		15'
		2

1/5



1

A



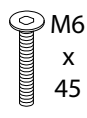
x 1

D



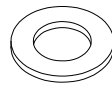
x 1

F



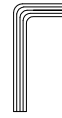
x 2

H

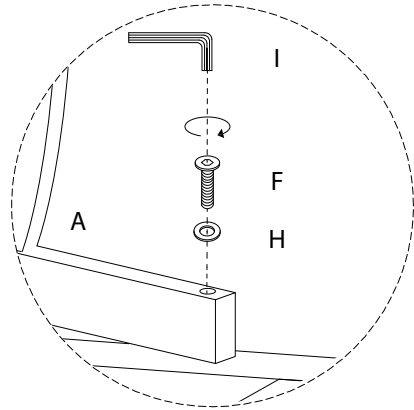
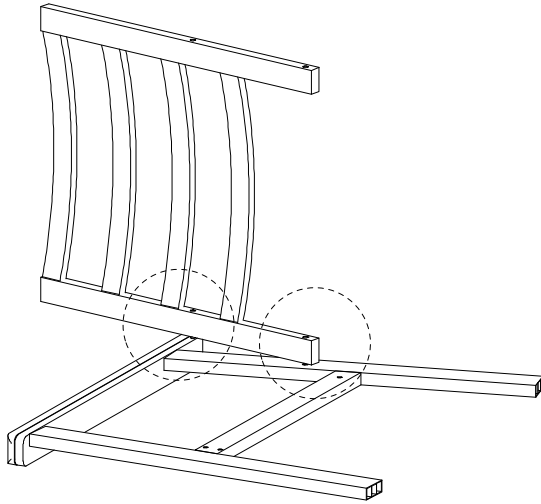


x 2

I



x 1



2

C



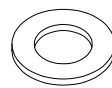
x 1

G



x 3

H

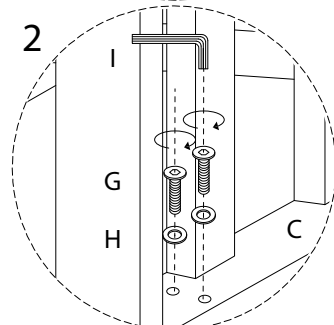
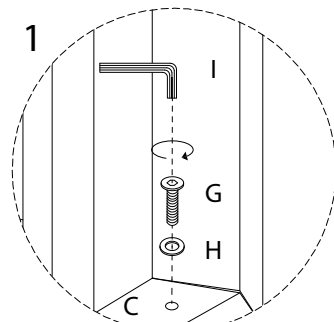
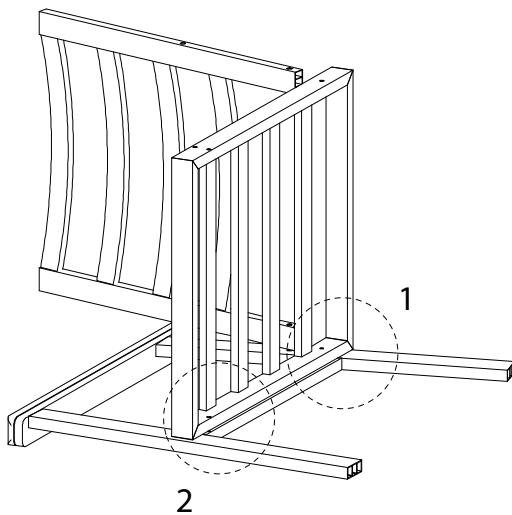


x 3

I

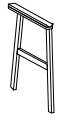


x 1



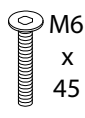
3

B



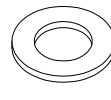
x 1

F



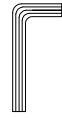
x 2

H

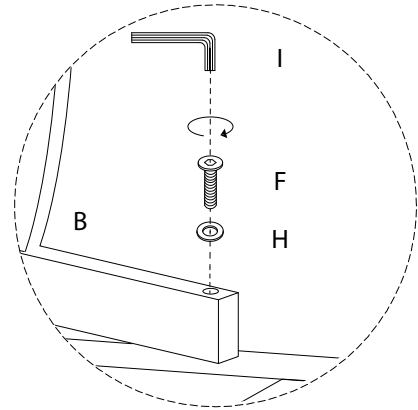
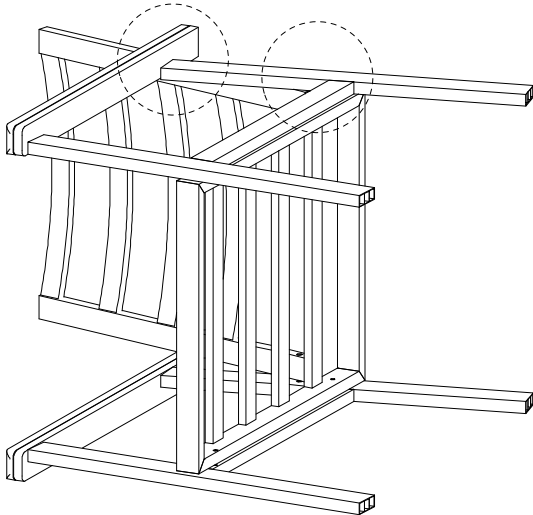


x 2

I



x 1



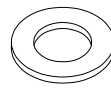
4

G



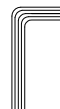
x 3

H

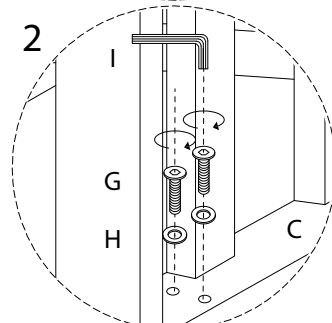
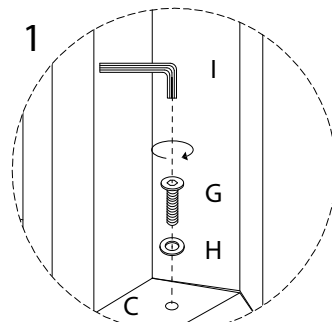
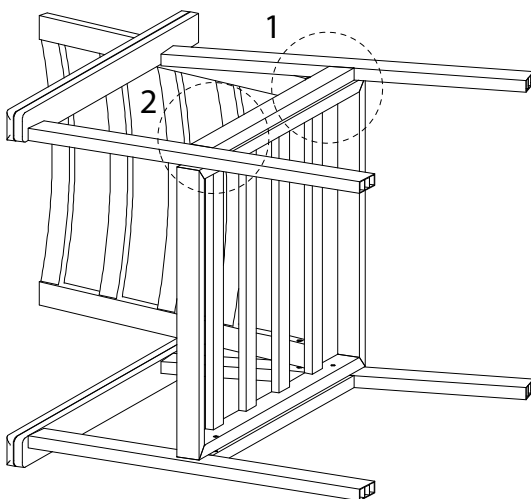


x 3

I

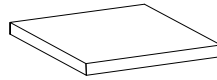


x 1



5

E



x 1

