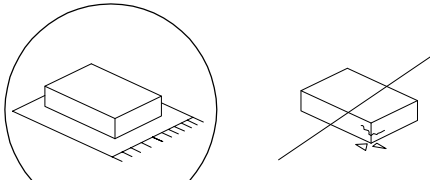
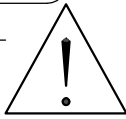
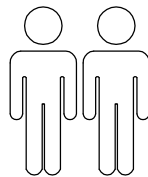
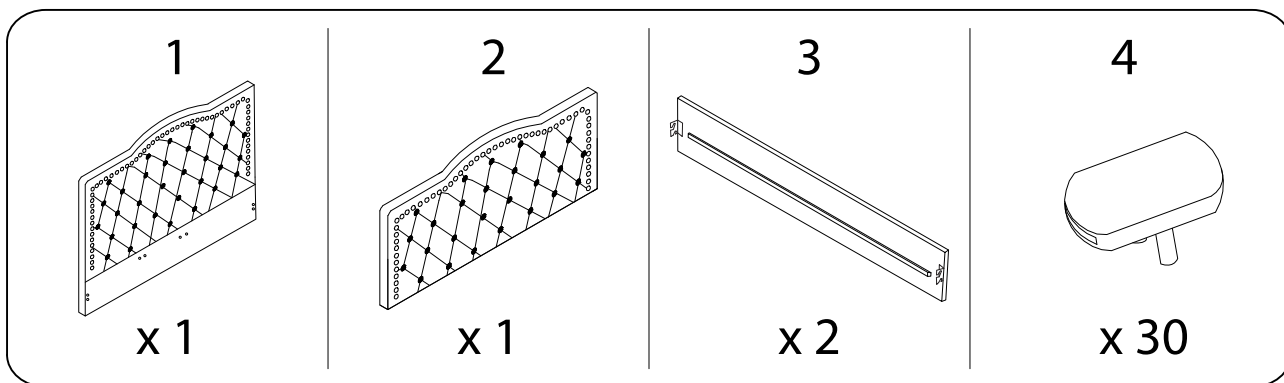
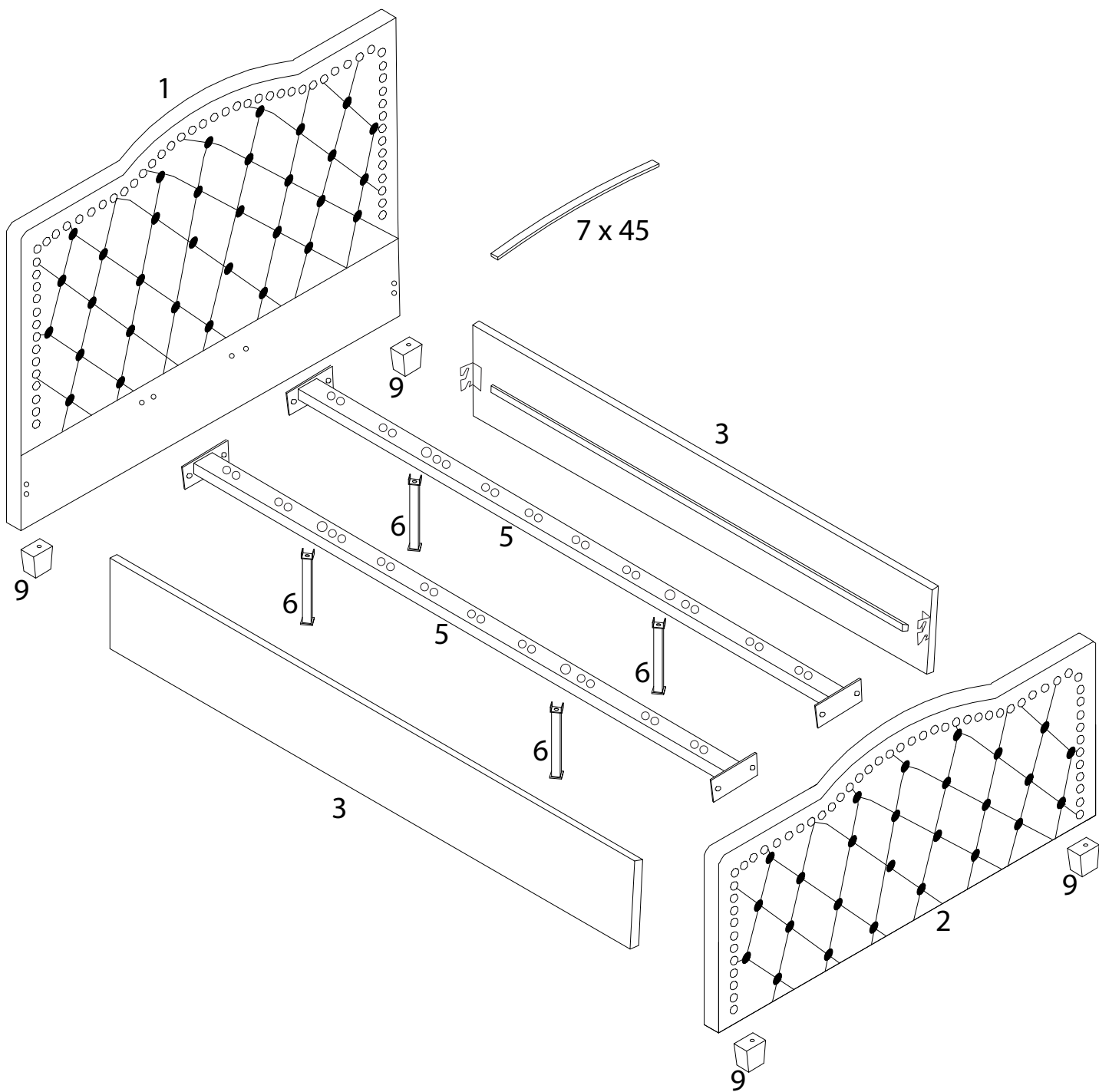
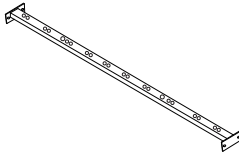

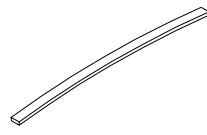
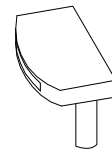
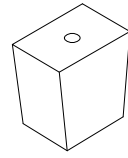
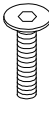
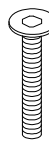
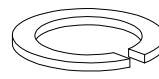
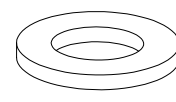
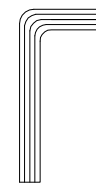
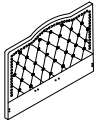
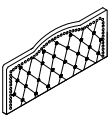
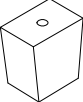
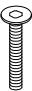

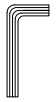
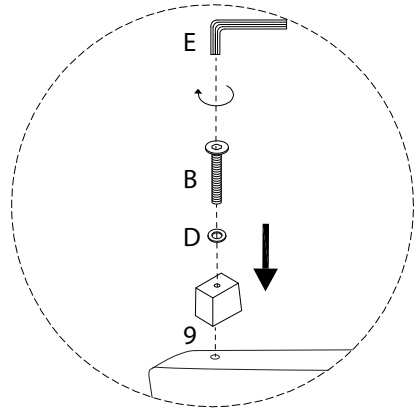
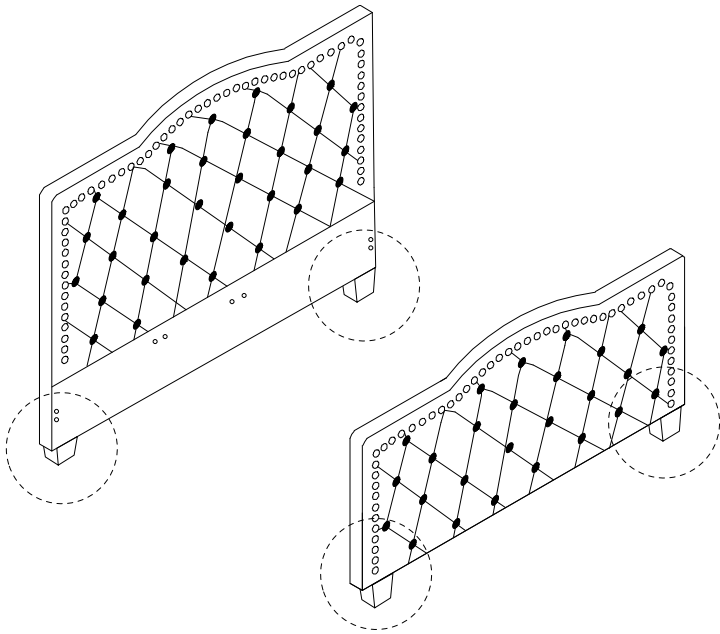

		<p>30'</p>
		
		<p>2</p>



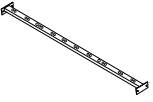




<p>5</p>  <p>x 2</p>	<p>6</p>  <p>x 4</p>	<p>7</p>  <p>x 45</p>	<p>8</p>  <p>x 30</p>	<p>9</p>  <p>x 4</p>
<p>A</p>  <p>M8 x 30</p> <p>x 20</p>	<p>B</p>  <p>M8 x 75</p> <p>x 4</p>	<p>C</p>  <p>x 8</p>	<p>D</p>  <p>x 16</p>	<p>E</p>  <p>x 1</p>

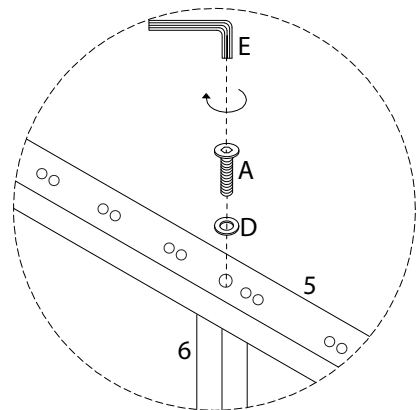
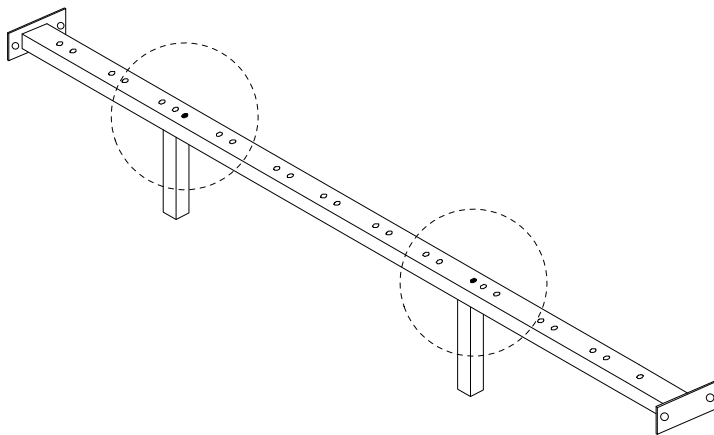
1

<p>1</p>  <p>x 1</p>	<p>2</p>  <p>x 1</p>	<p>9</p>  <p>x 4</p>	<p>B</p>  <p>M8 x 75</p> <p>x 4</p>	<p>D</p>  <p>x 4</p>	<p>E</p>  <p>x 1</p>
---	---	---	--	---	---

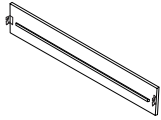
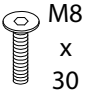


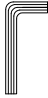


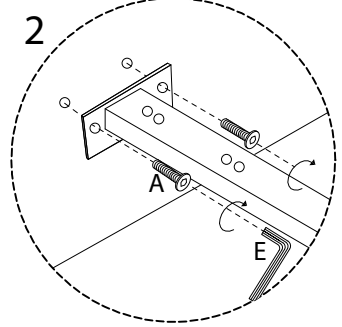
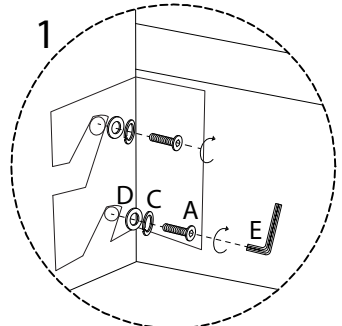
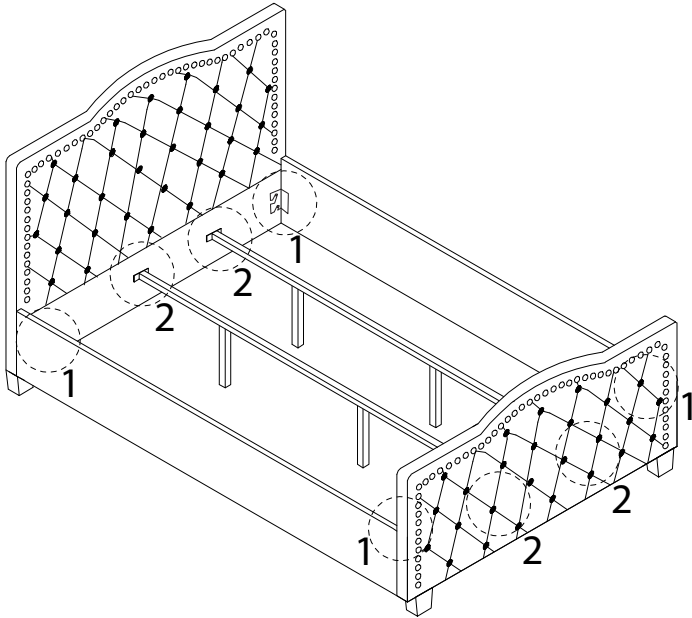
2 x 2

<p>5</p>  <p>x 1</p>	<p>6</p>  <p>x 2</p>	<p>A</p>  <p>M8 x 30</p> <p>x 2</p>	<p>D</p>  <p>x 2</p>	<p>E</p>  <p>x 1</p>
---	---	--	---	---

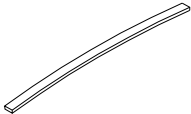
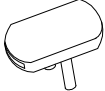



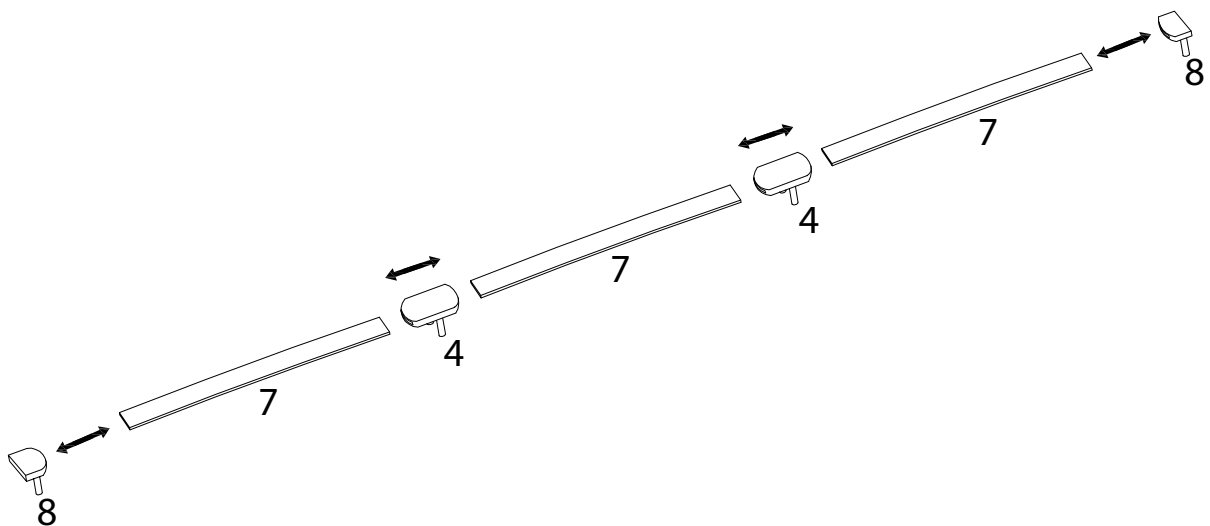
3

<p>3</p>  <p>x 2</p>	<p>A</p>  <p>M8 x 30</p> <p>x 16</p>	<p>C</p>  <p>x 8</p>	<p>D</p>  <p>x 8</p>	<p>E</p>  <p>x 1</p>
---	---	---	---	---



4x15

<p>7</p>  <p>x 3</p>	<p>4</p>  <p>x 2</p>	<p>8</p>  <p>x 2</p>
---	---	---



5x15

