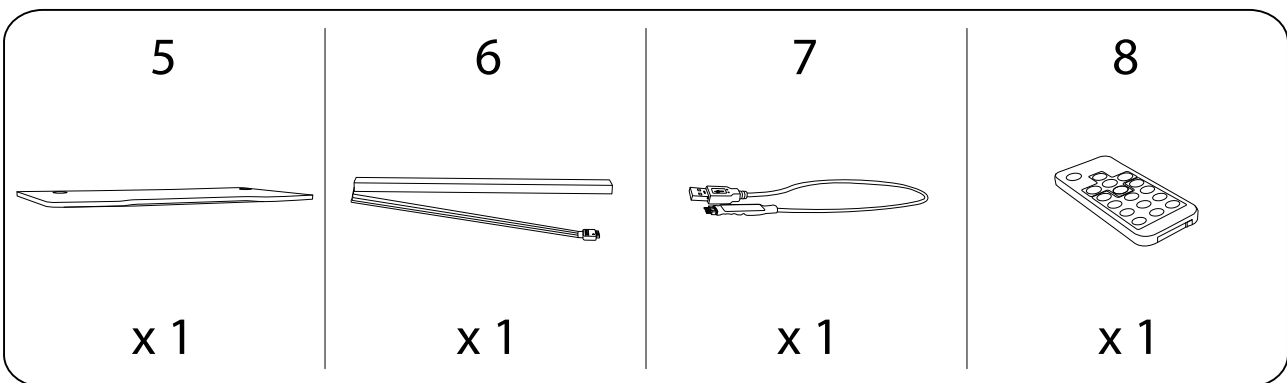
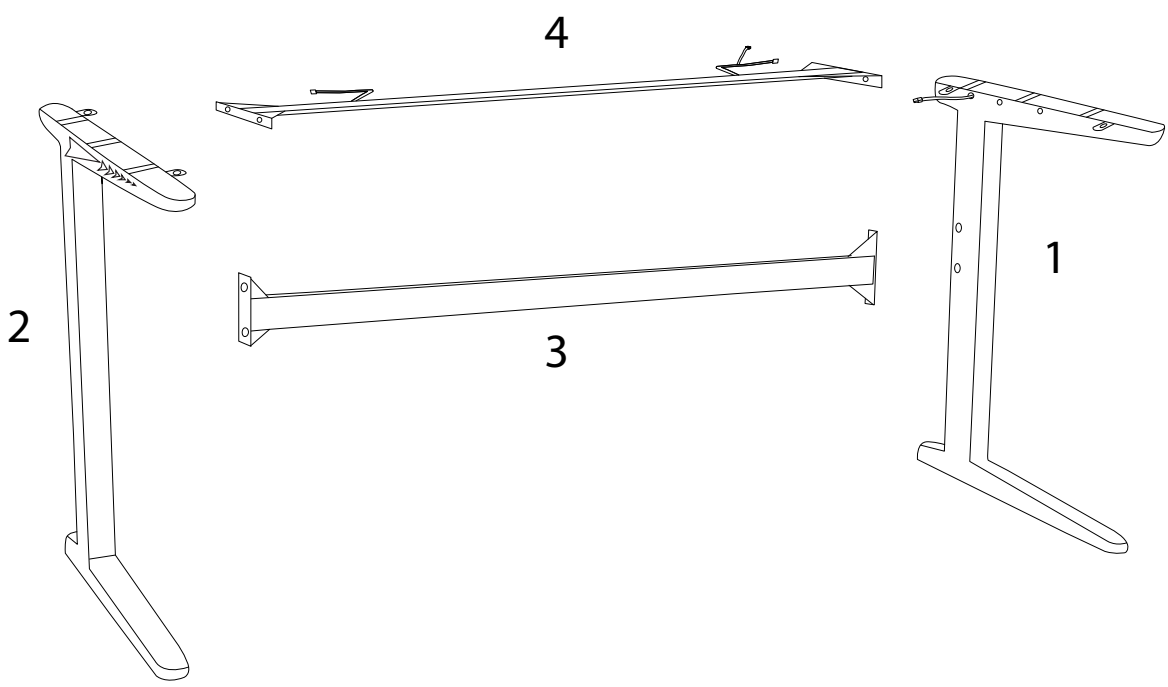
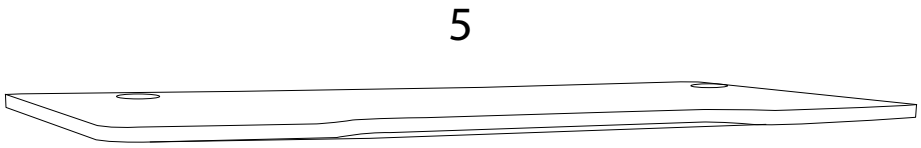
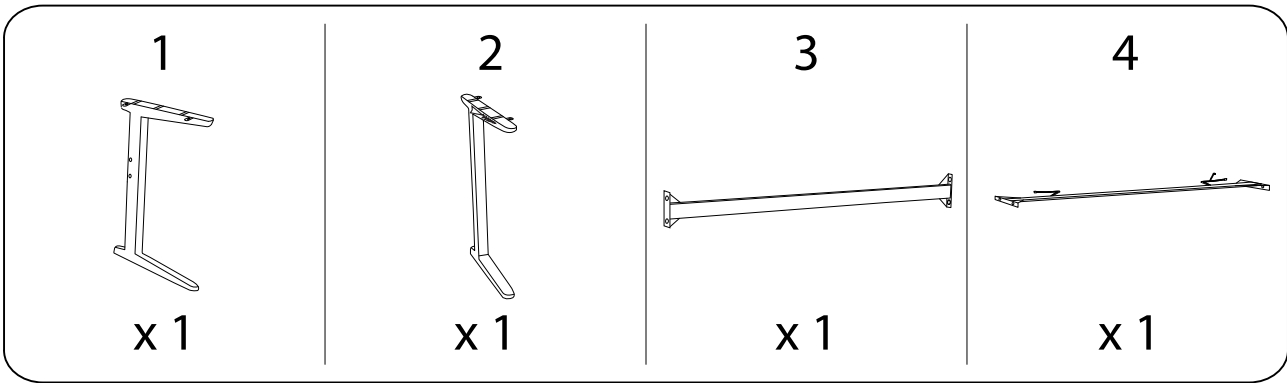
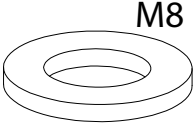
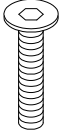
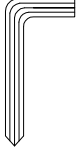
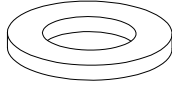
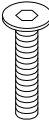
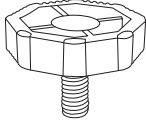
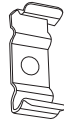
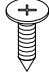


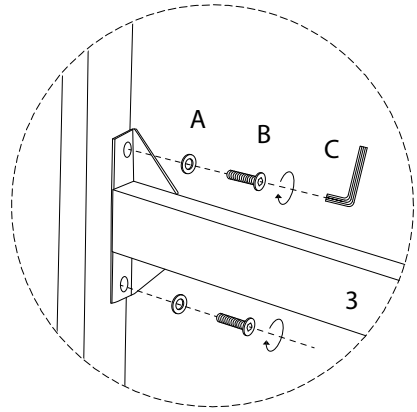
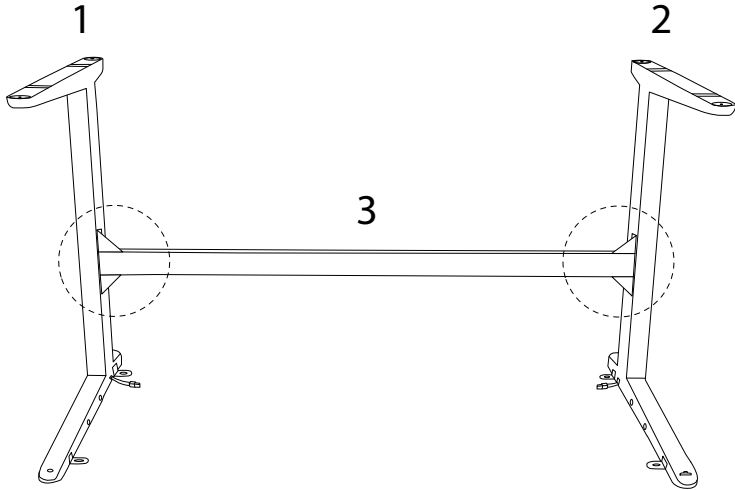
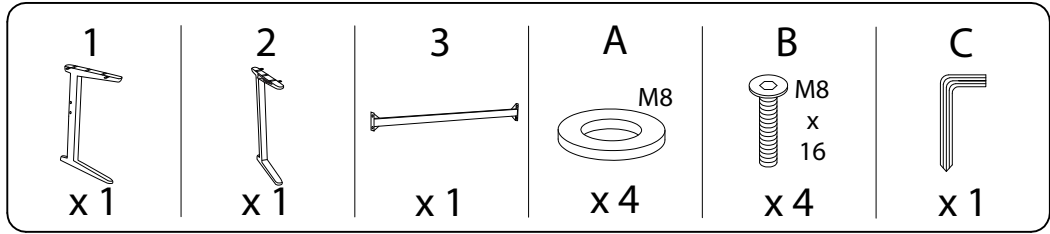
Diagram illustrating assembly instructions and safety warnings:

- Warning 1:** A warning triangle with an exclamation mark is positioned above a box containing an L-shaped metal bracket and a power drill with a slash through it, indicating that a power drill should not be used on this part.
- Warning 2:** A second warning triangle with an exclamation mark is positioned above a box containing a rectangular block being placed on a surface and another block being inserted into a hole, indicating a specific assembly step.
- Time:** A clock icon is shown next to the text "40'", indicating the estimated assembly time.
- Personnel:** An icon of a person is shown next to the number "2", indicating that two people are required for assembly.

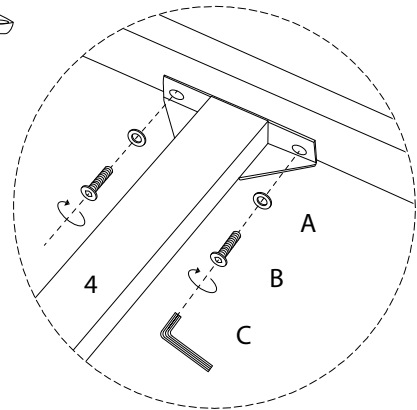
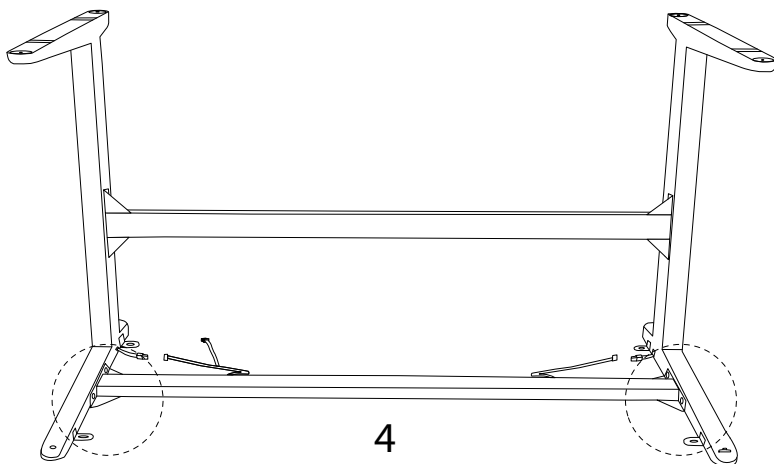
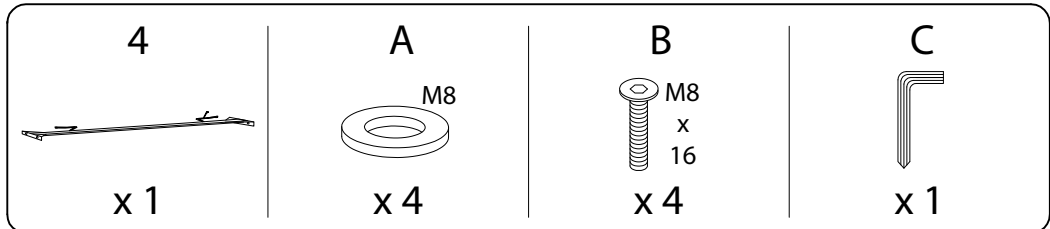


<p style="text-align: center;">A</p>  <p style="text-align: center;">x 8</p>	<p style="text-align: center;">B</p>  <p style="text-align: center;">x 8</p>	<p style="text-align: center;">C</p>  <p style="text-align: center;">x 1</p>	<p style="text-align: center;">D</p>  <p style="text-align: center;">x 4</p>
<p style="text-align: center;">E</p>  <p style="text-align: center;">x 4</p>	<p style="text-align: center;">F</p>  <p style="text-align: center;">x 4</p>	<p style="text-align: center;">G</p>  <p style="text-align: center;">x 2</p>	<p style="text-align: center;">H</p>  <p style="text-align: center;">x 2</p>


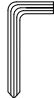

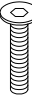
1

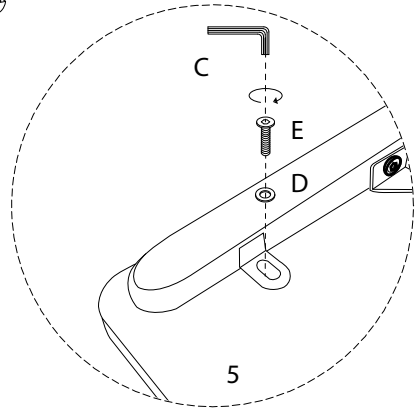
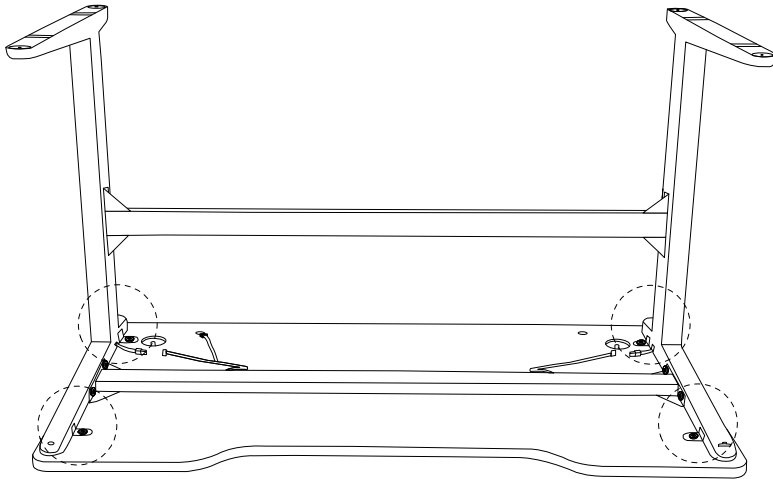


2

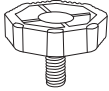


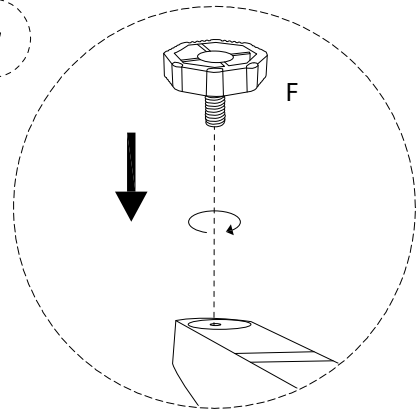
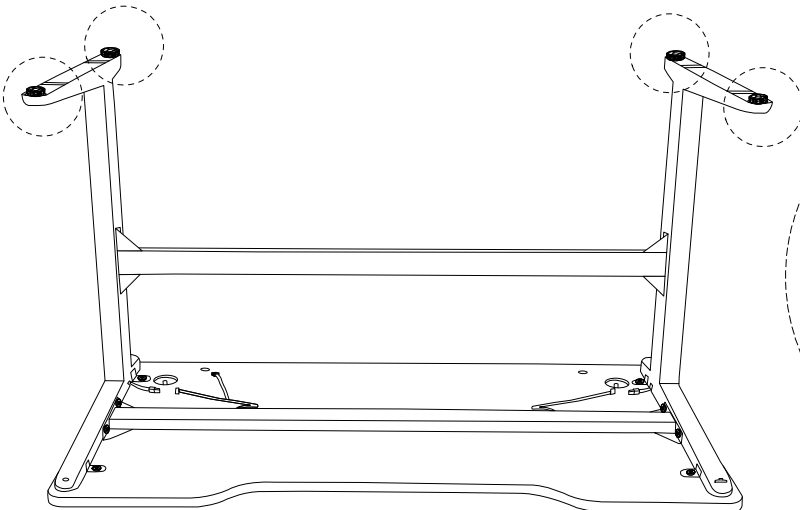
3

5  x 1	C  x 1	D M6  x 4	E M6 x 16  x 4
--	--	---	---

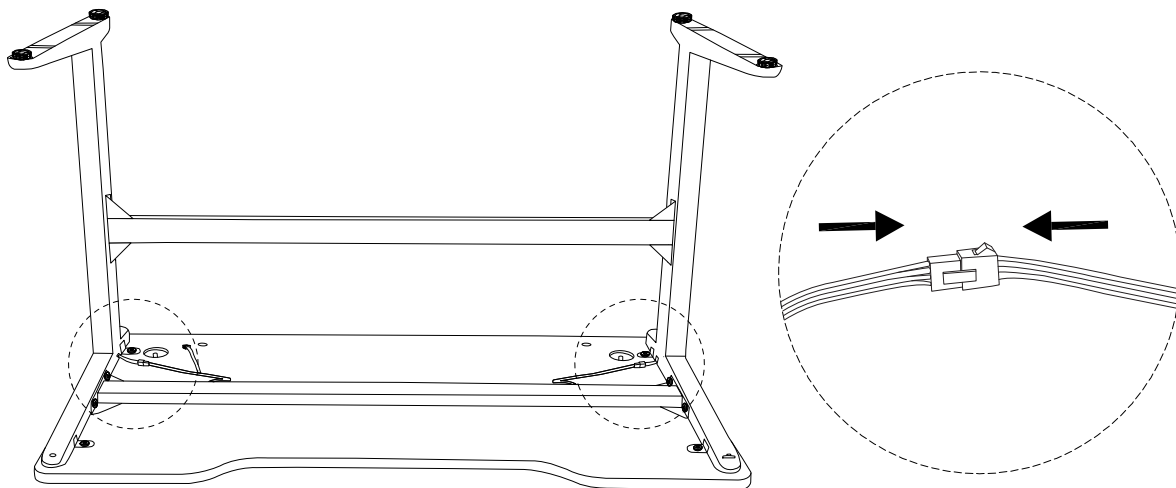


4

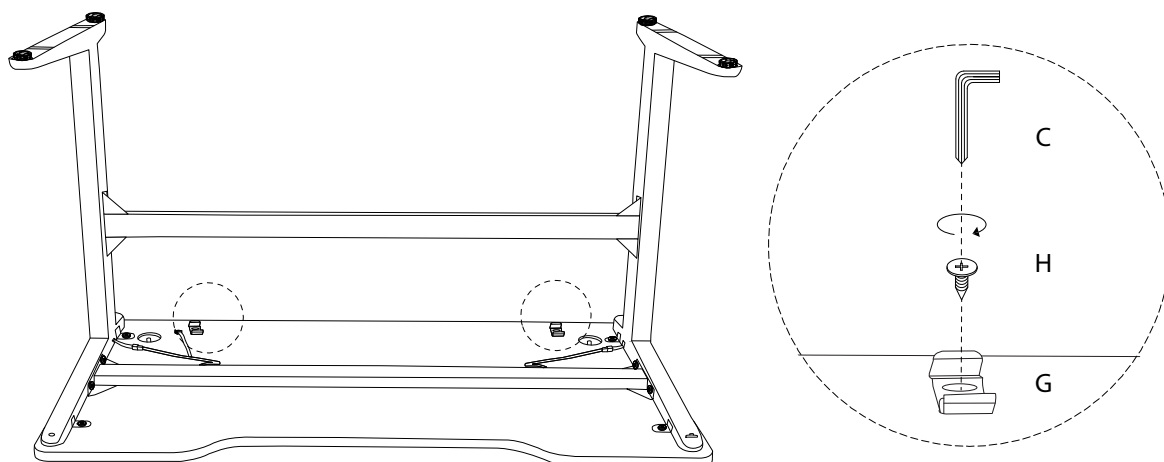
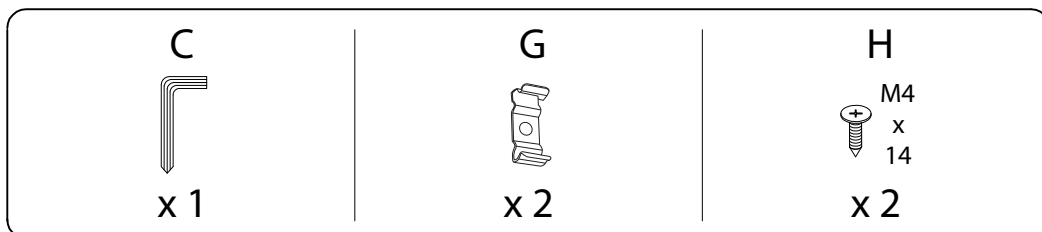
F  x 4
--



5

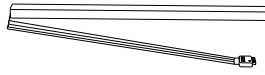


6

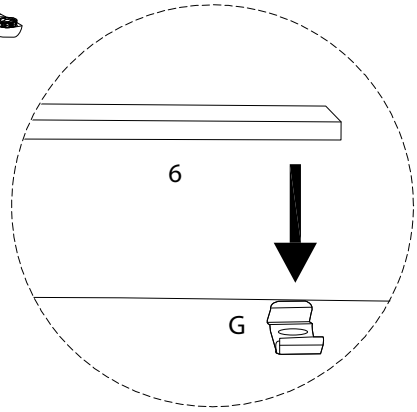
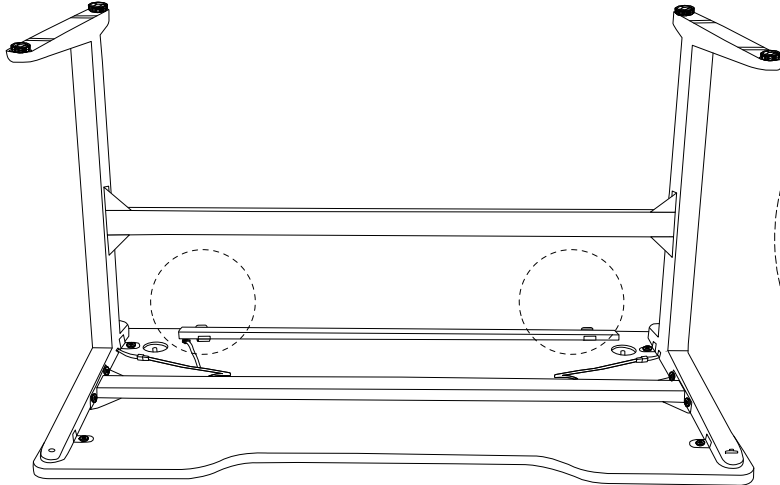


7

6



x 1

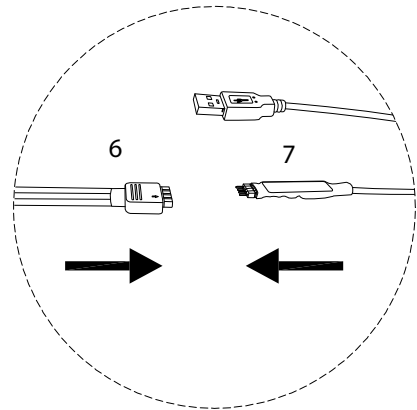
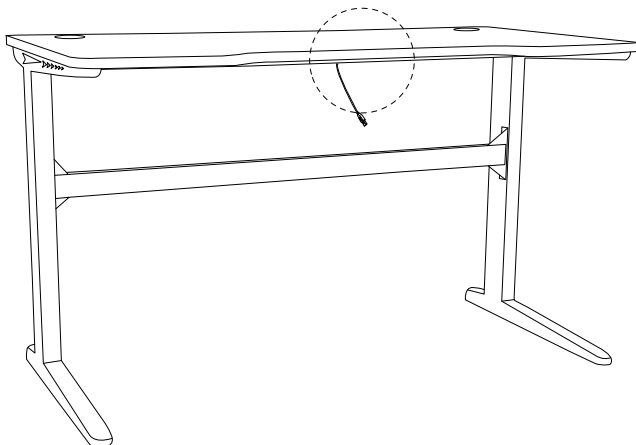


8

7



x 1



!

8



x 1

