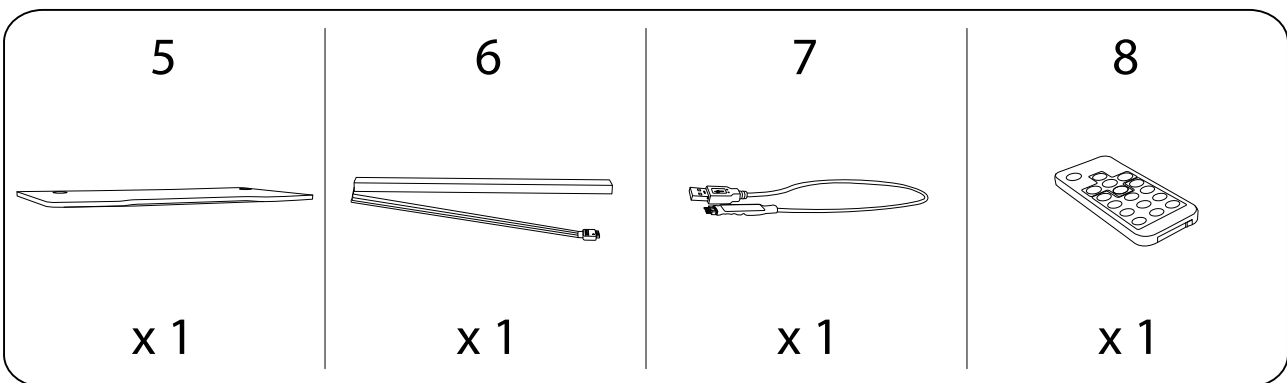
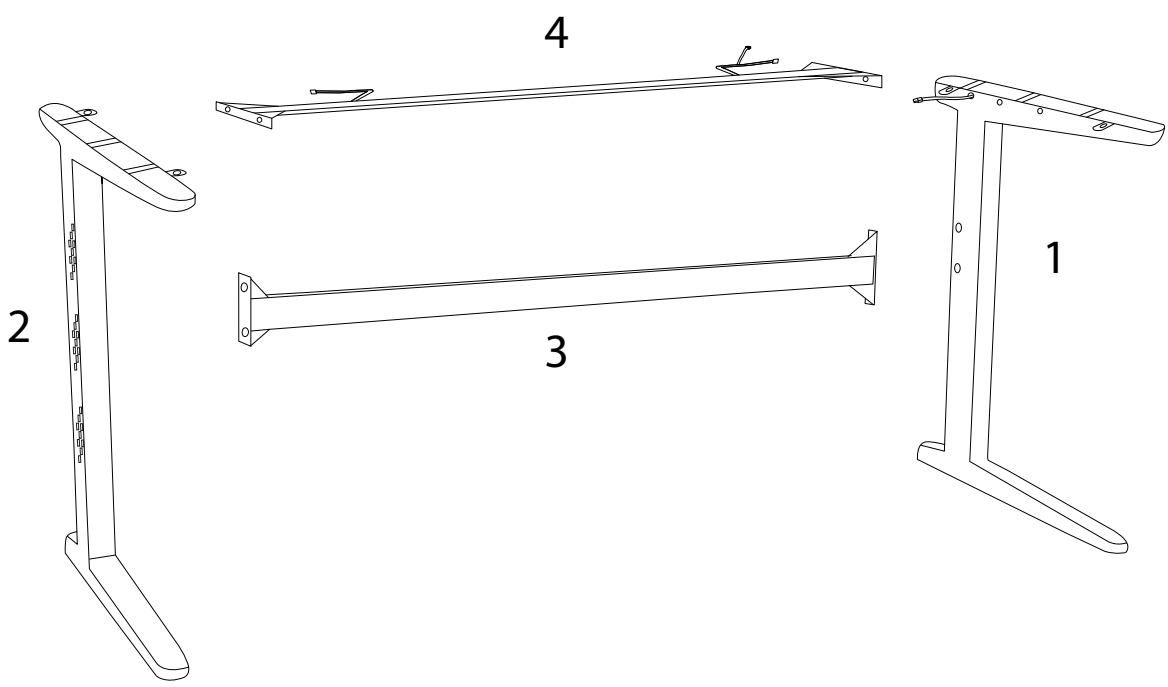
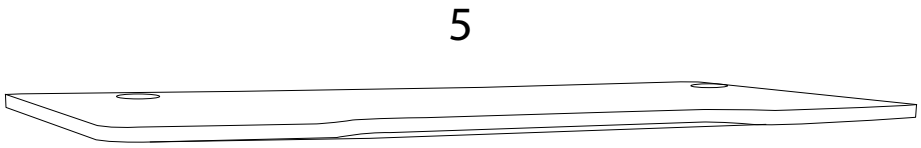
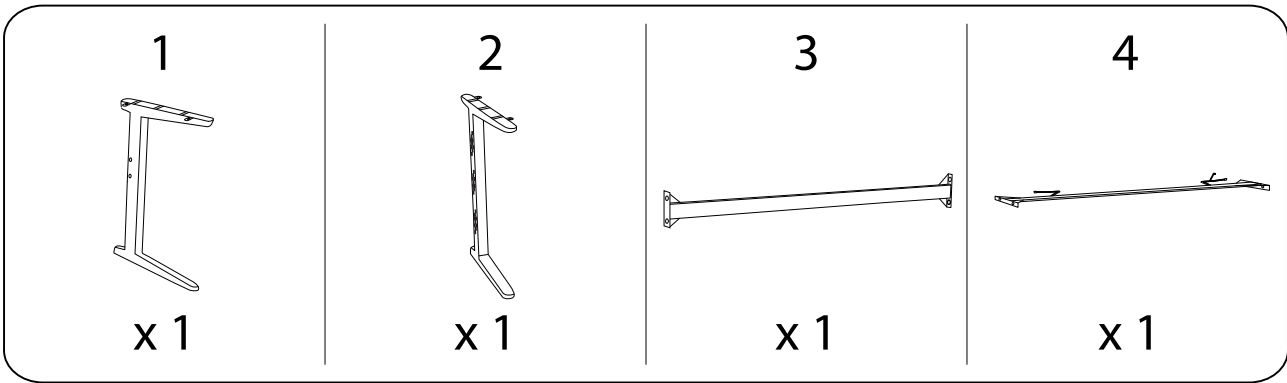
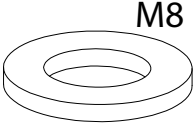
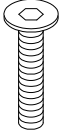
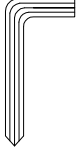
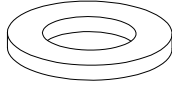
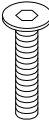
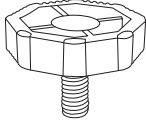
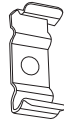
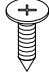


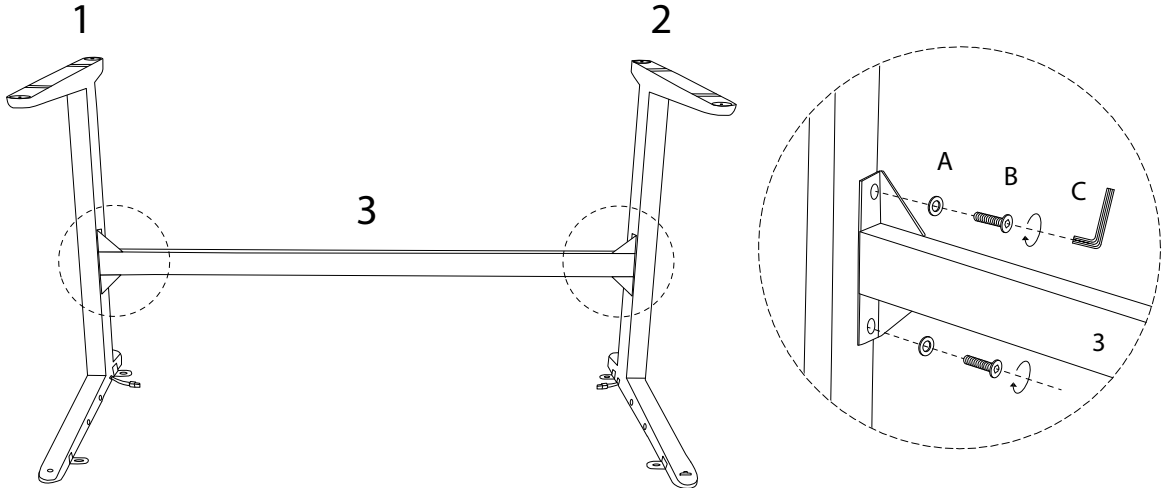
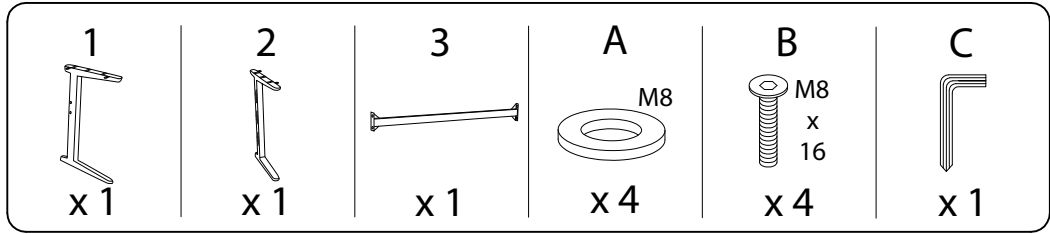
Diagram illustrating assembly instructions and safety warnings:

- Warning 1:** A warning triangle with an exclamation mark is shown next to a circular inset containing an L-shaped metal bracket and a crossed-out power drill icon, indicating that a power drill should not be used for this step.
- Warning 2:** A second warning triangle with an exclamation mark is shown next to a circular inset containing a rectangular block being placed on a textured surface and a crossed-out icon of the block being lifted, indicating that the block should be placed on a soft surface.
- Time:** A clock icon is shown with the text "40'" below it, indicating a 40-minute assembly time.
- Personnel:** An icon of a person is shown with the number "2" below it, indicating that two people are required for assembly.

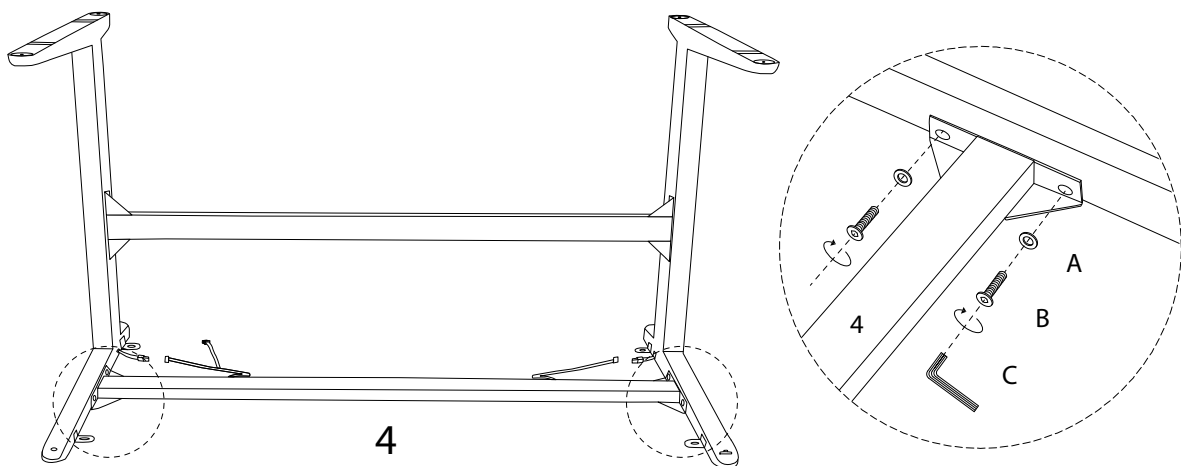
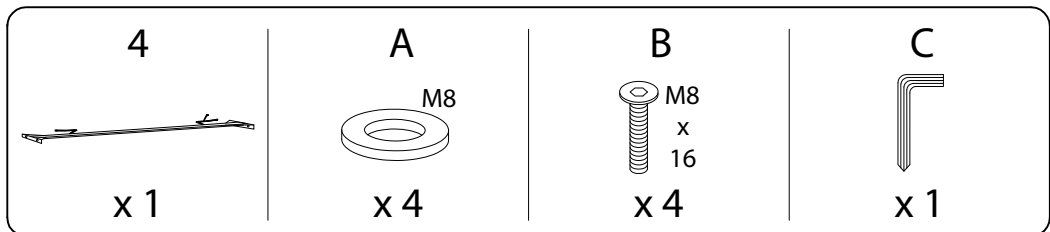


<p style="text-align: center;">A</p>  <p style="text-align: center;">M8</p> <p style="text-align: center;">x 8</p>	<p style="text-align: center;">B</p>  <p style="text-align: center;">M8 x 16</p> <p style="text-align: center;">x 8</p>	<p style="text-align: center;">C</p>  <p style="text-align: center;">x 1</p>	<p style="text-align: center;">D</p>  <p style="text-align: center;">M6</p> <p style="text-align: center;">x 4</p>
<p style="text-align: center;">E</p>  <p style="text-align: center;">M6 x 16</p> <p style="text-align: center;">x 4</p>	<p style="text-align: center;">F</p>  <p style="text-align: center;">x 4</p>	<p style="text-align: center;">G</p>  <p style="text-align: center;">x 2</p>	<p style="text-align: center;">H</p>  <p style="text-align: center;">M4 x 14</p> <p style="text-align: center;">x 2</p>

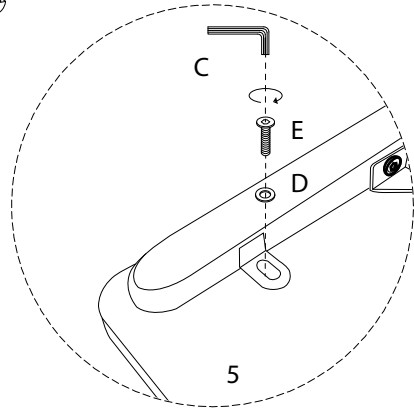
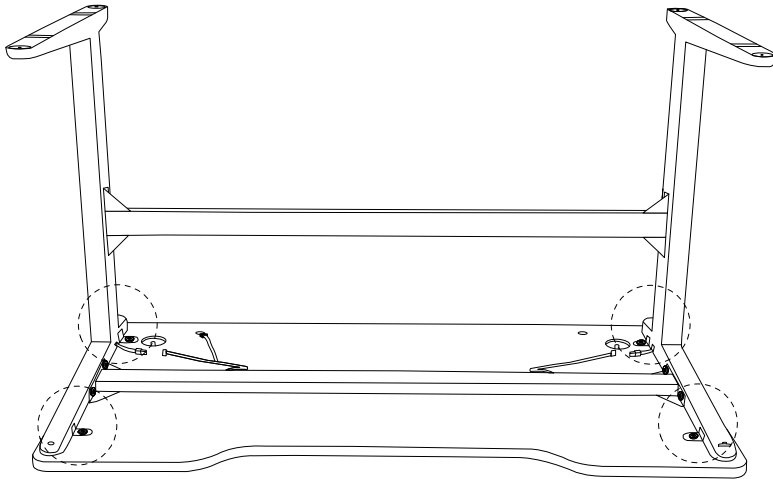
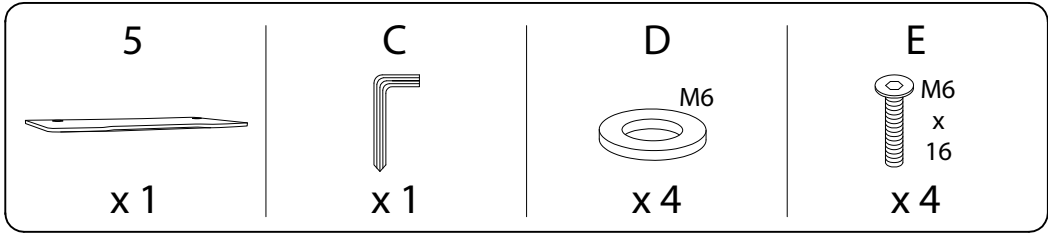
1



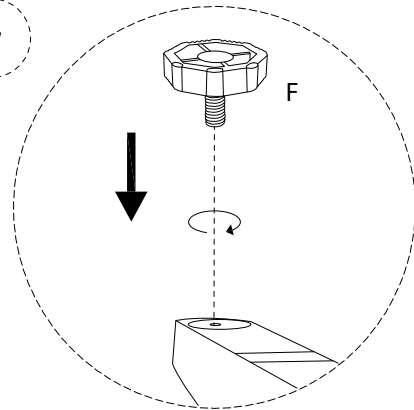
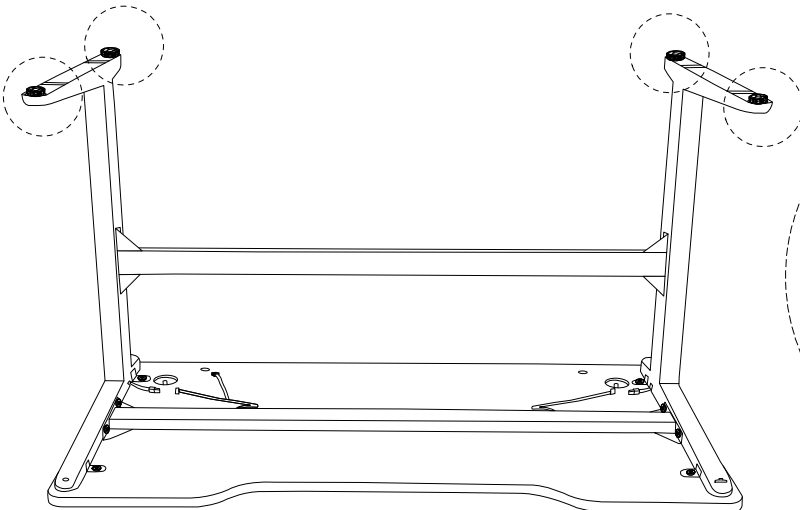
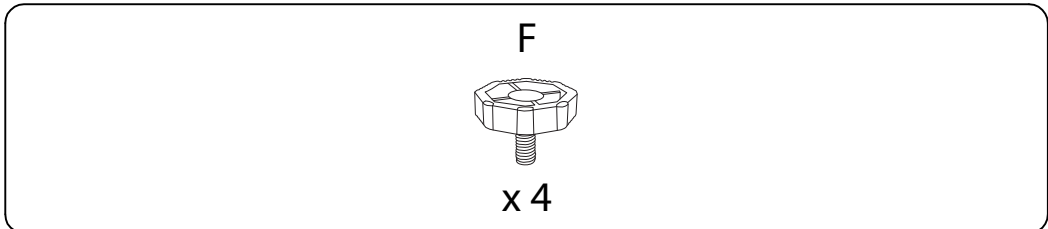
2



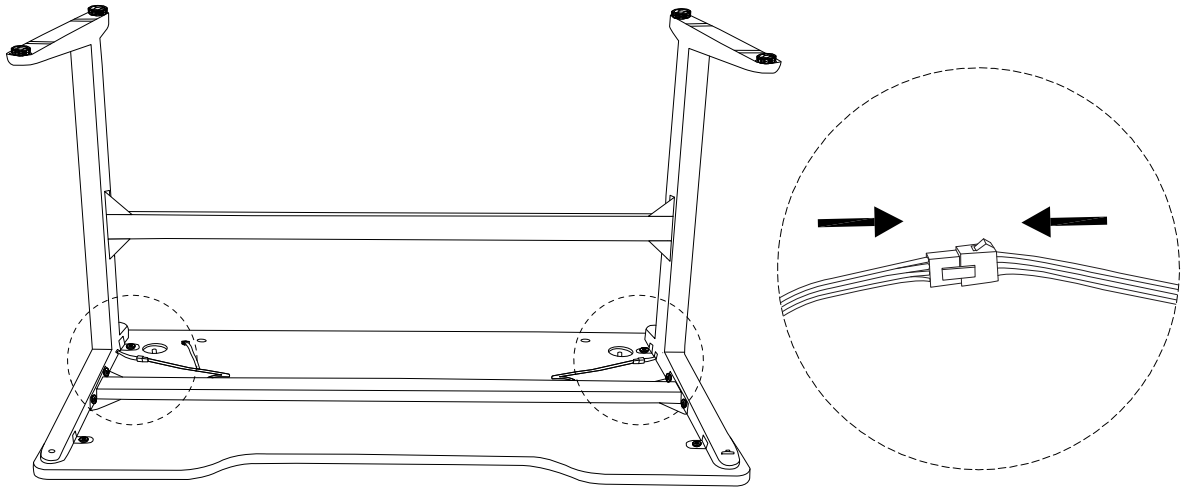
3



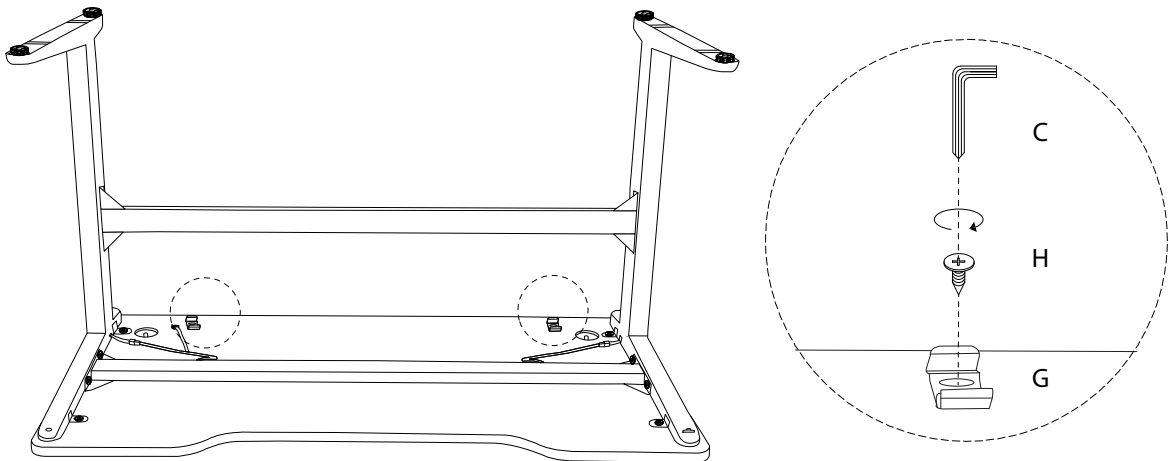
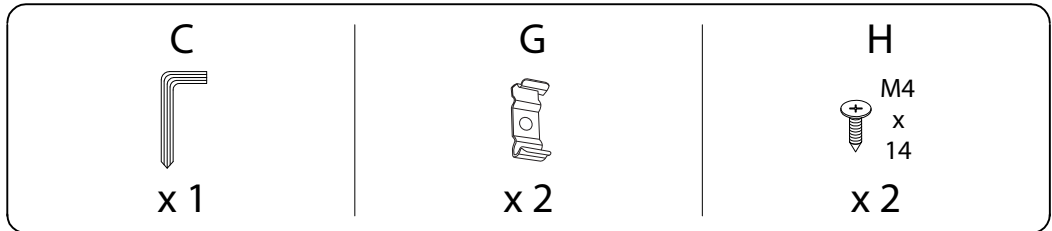
4



5

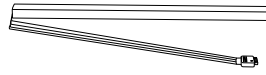


6

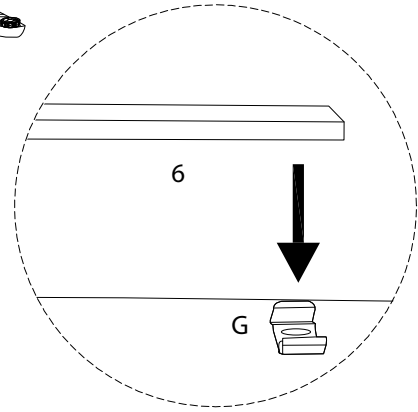
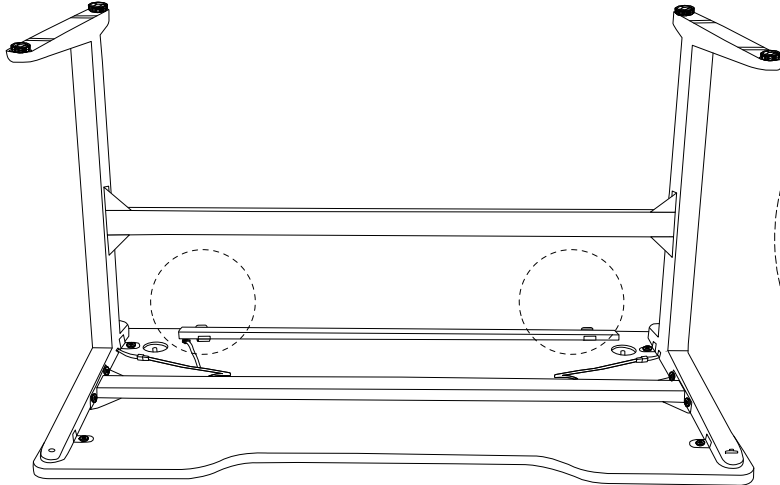


7

6



x 1

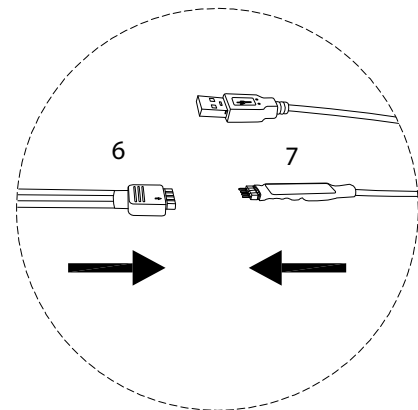
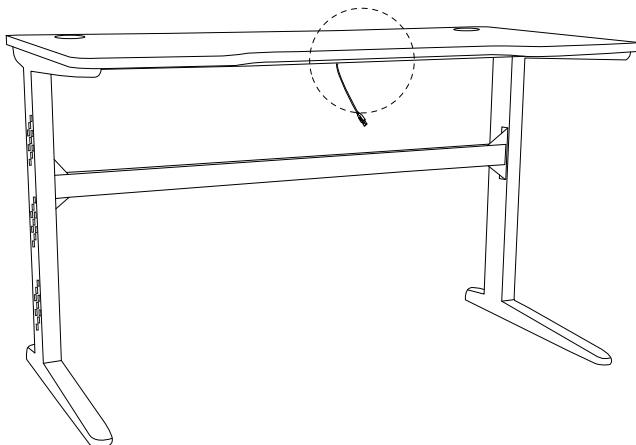


8

7



x 1



!

8



x 1

