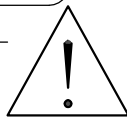
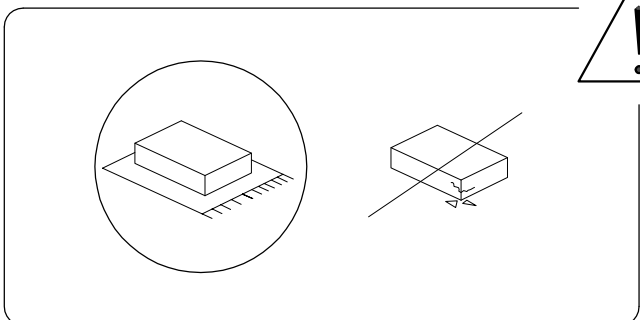
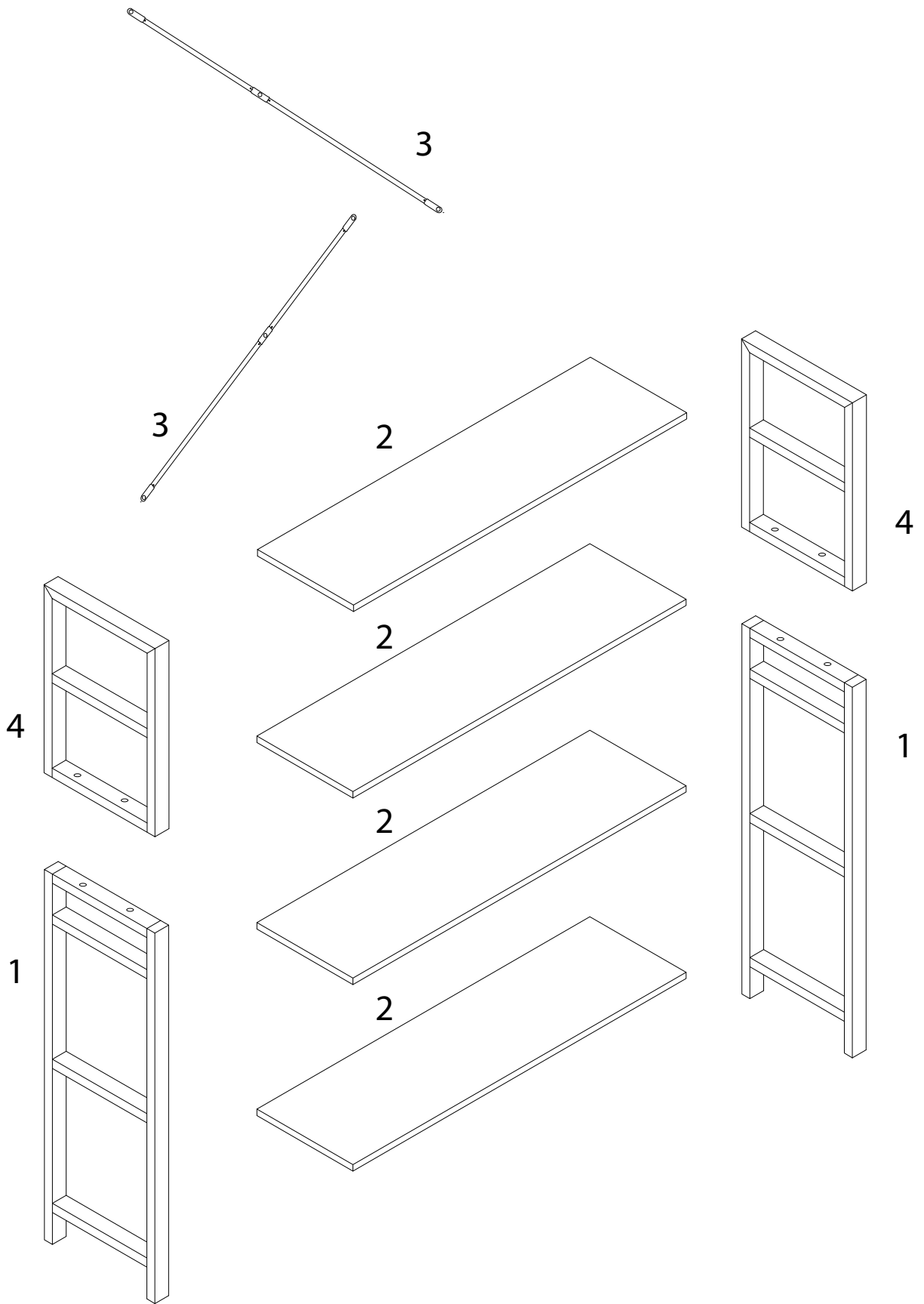


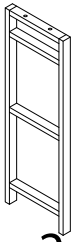
40'



2

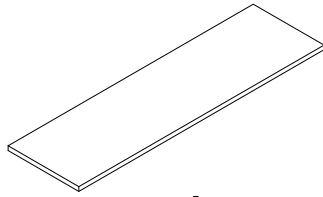


1



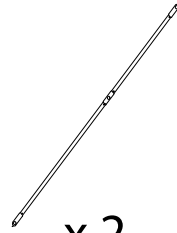
x 2

2



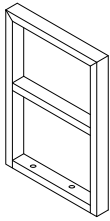
x 4

3



x 2

4



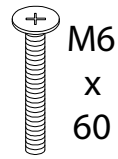
x 2

G



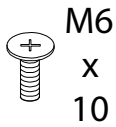
x 20

K



x 4

N



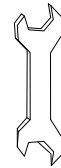
x 1

V



x 9

W



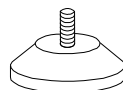
x 1

X



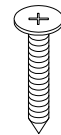
x 1

Y



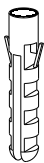
x 4

Z1



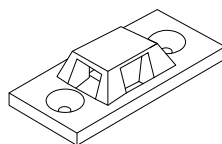
x 4

Z2



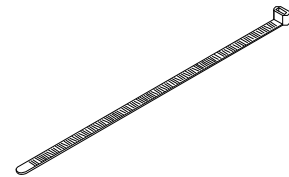
x 4

Z3



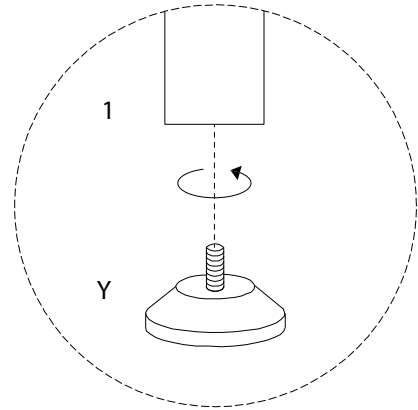
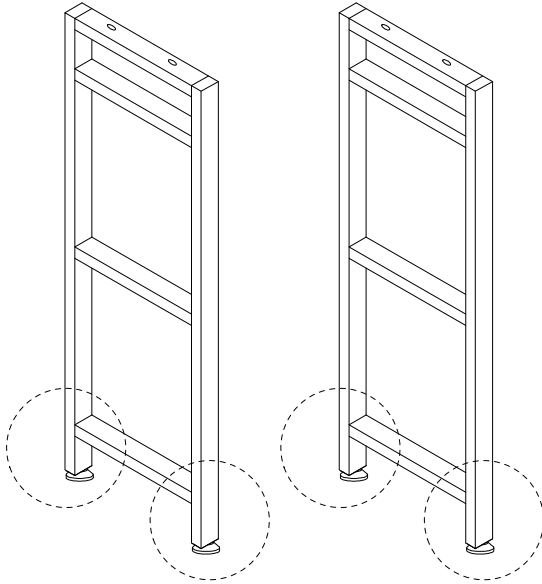
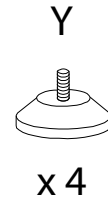
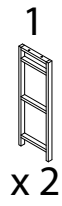
x 2

Z4

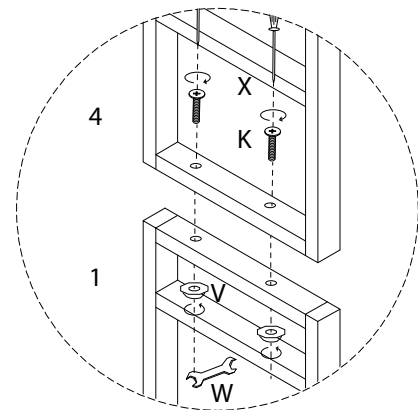
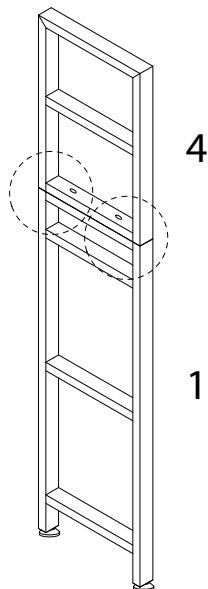
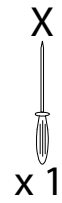
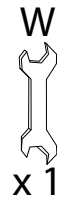
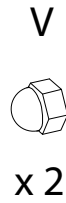
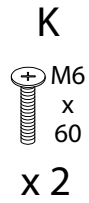
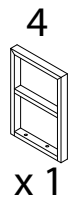


x 2

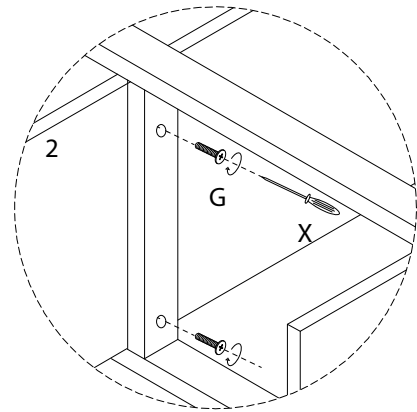
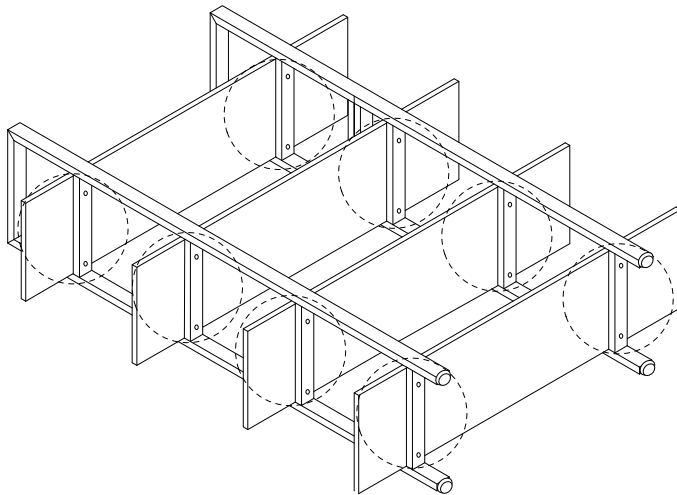
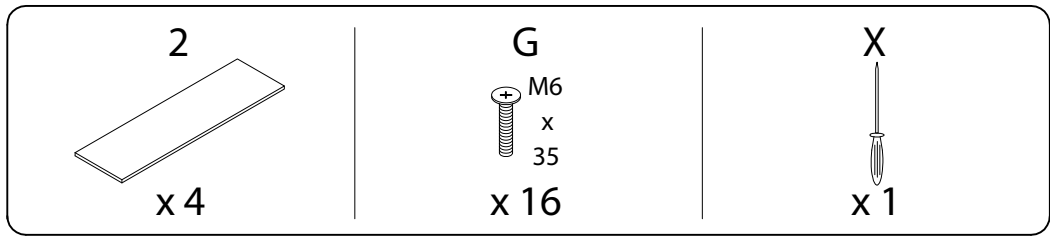
1



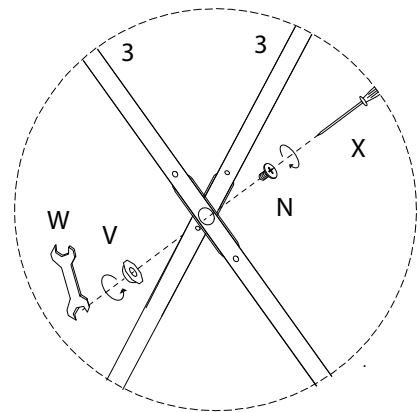
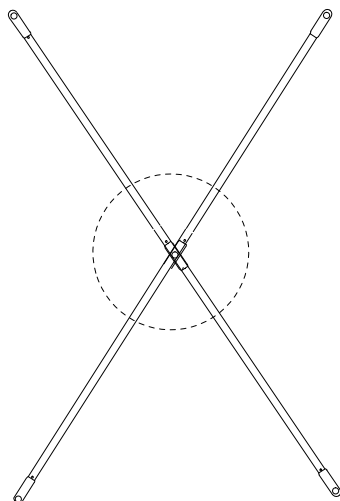
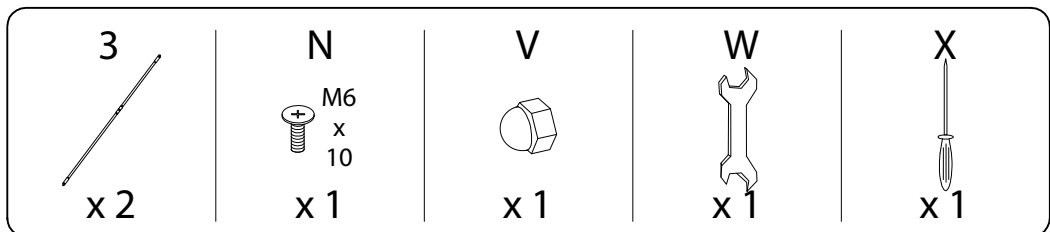
2 x 2



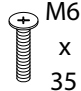
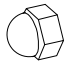


3

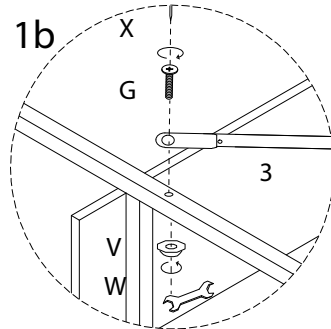
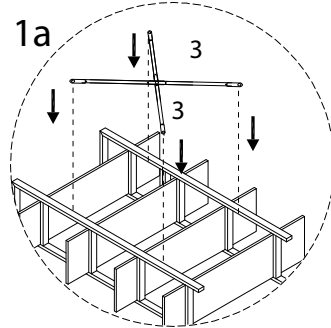
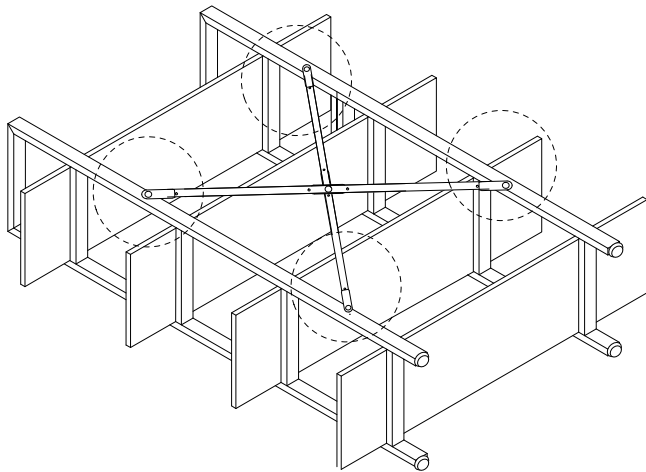


4



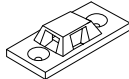
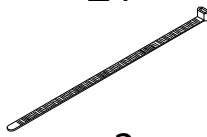


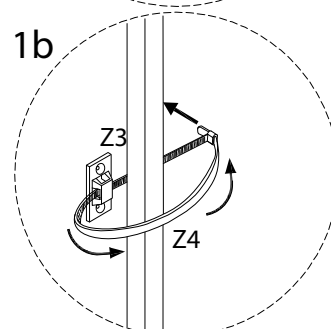
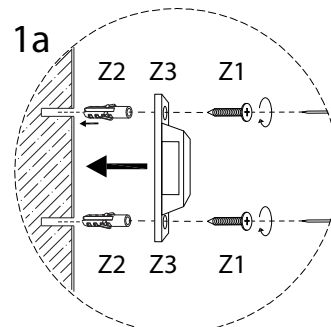
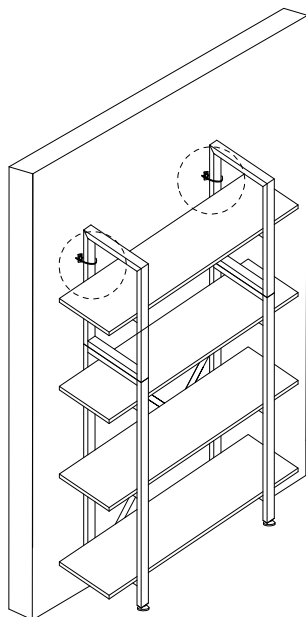
5

<p>G</p>  <p>M6 x 35 x 4</p>	<p>V</p>  <p>x 4</p>	<p>W</p>  <p>x 1</p>	<p>X</p>  <p>x 1</p>
--	--	--	--



6

<p>Z1</p>  <p>x 4</p>	<p>Z2</p>  <p>x 4</p>	<p>Z3</p>  <p>x 2</p>	<p>Z4</p>  <p>x 2</p>
---	---	--	---



!

