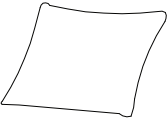

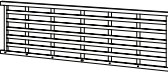
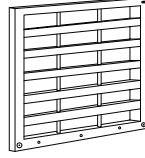


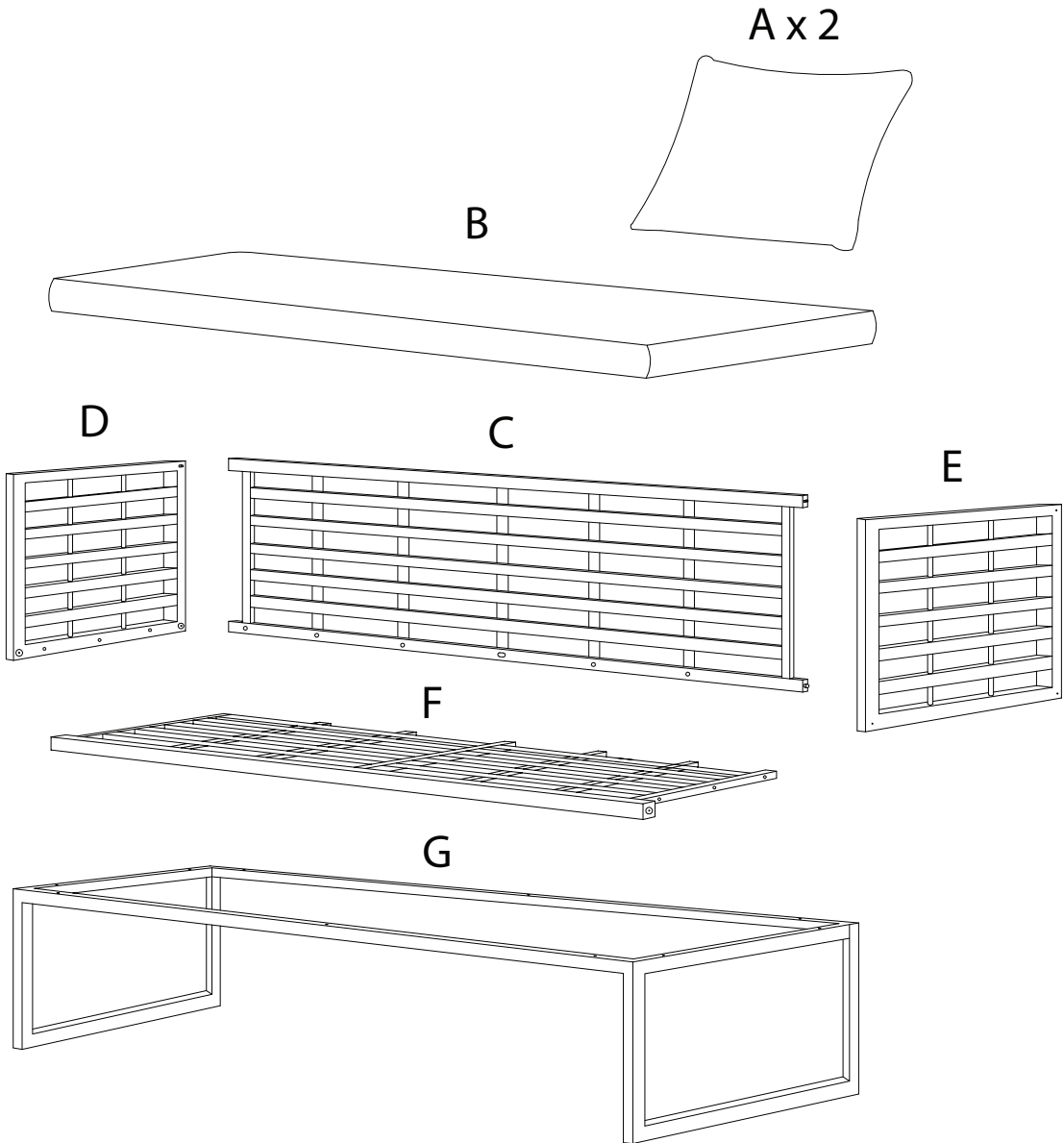



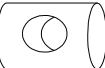
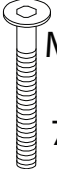
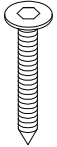
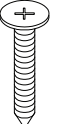

135'

1

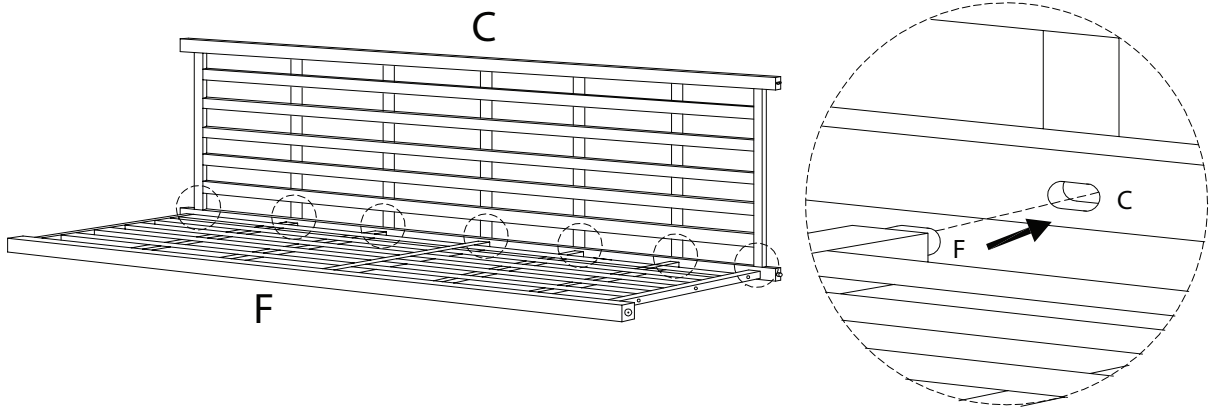
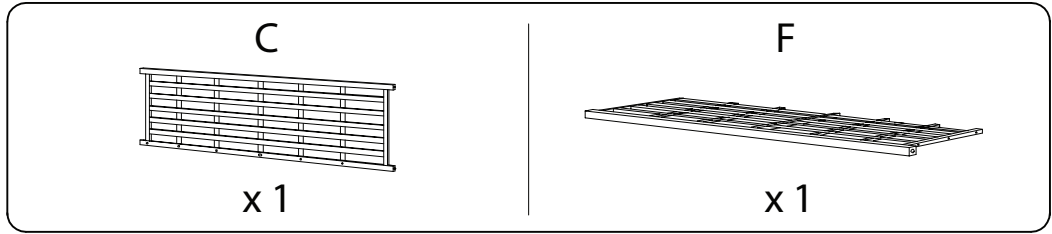
# A

<p>A</p> 	<p>B</p> 	<p>C</p> 	<p>D</p> 	<p>E</p> 	<p>F</p> 
<p>x 2</p>	<p>x 1</p>	<p>x 1</p>	<p>x 1</p>	<p>x 1</p>	<p>x 1</p>

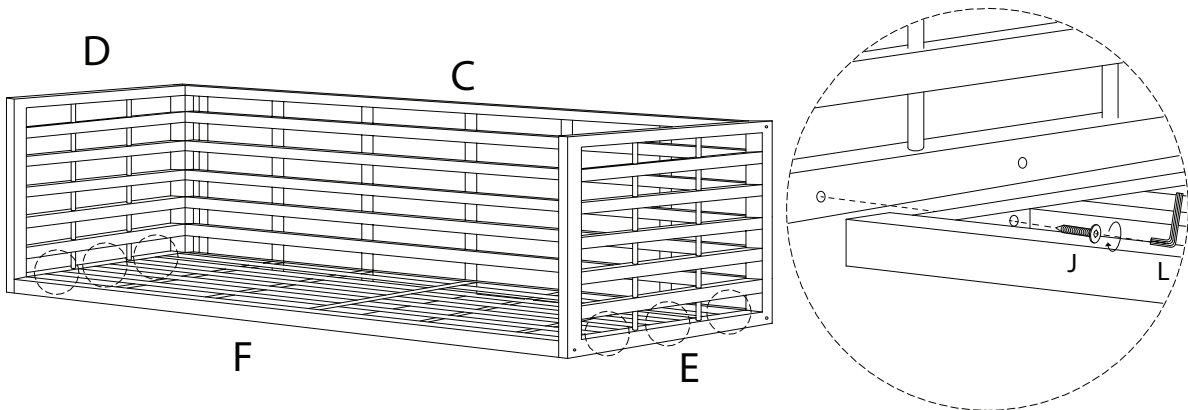
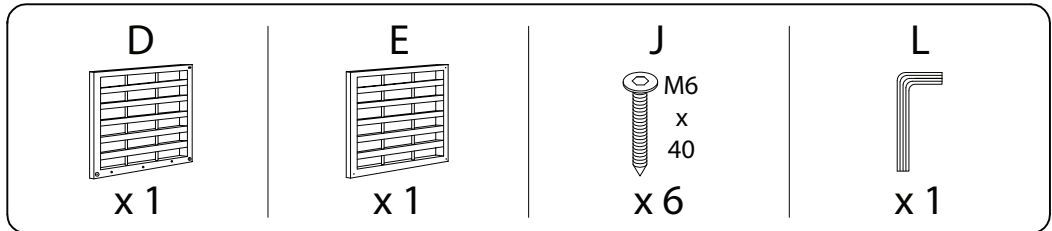


<p>G</p> 	<p>H</p> 	<p>I</p>  <p>M6 x 75</p>	<p>J</p>  <p>M6 x 40</p>	<p>K</p>  <p>M4 x 35</p>	<p>L</p> 
<p>x 1</p>	<p>x 6</p>	<p>x 6</p>	<p>x 6</p>	<p>x 10</p>	<p>x 1</p>

1

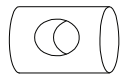


2



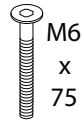
3

H



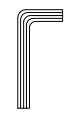
x 6

I

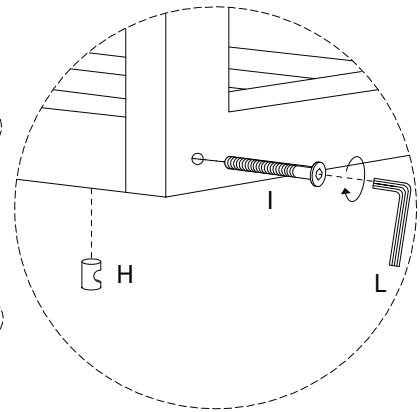
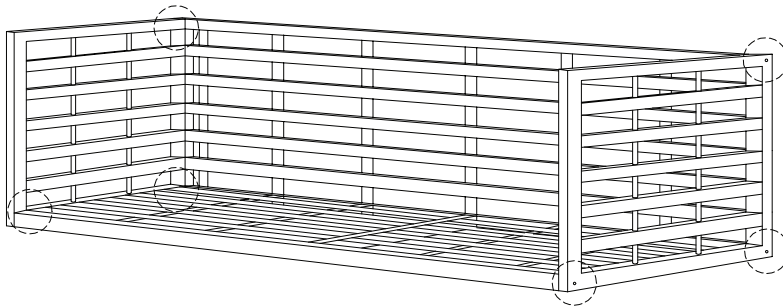


x 6

L



x 1



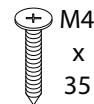
4

G

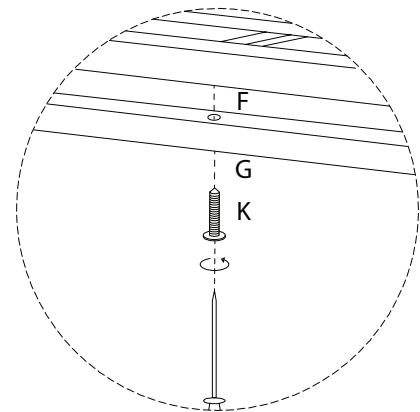
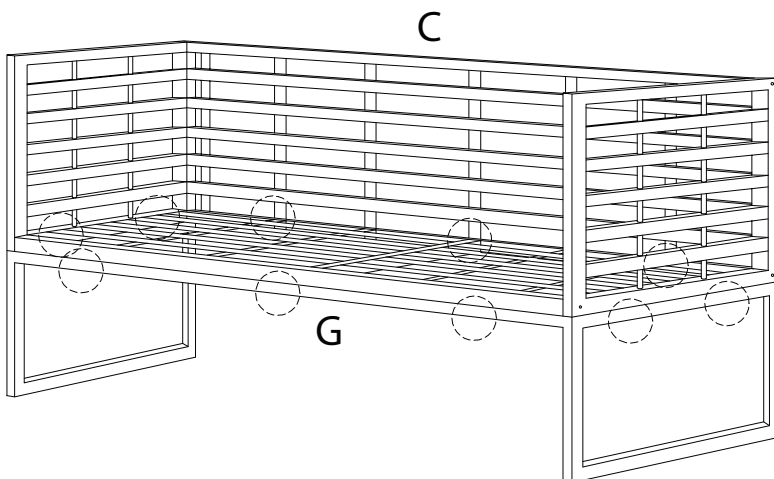


x 1

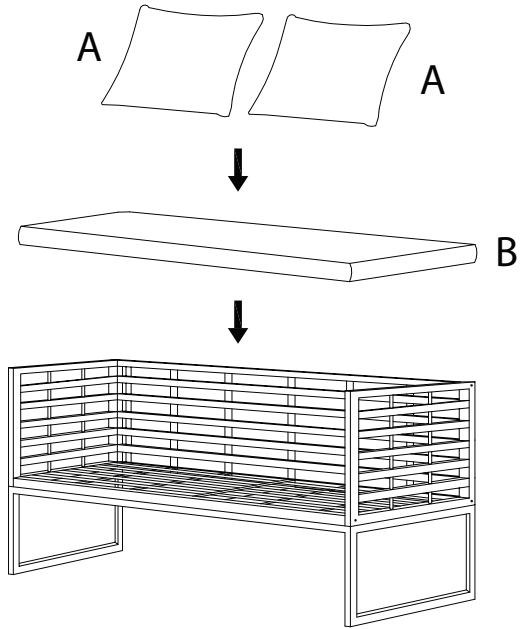
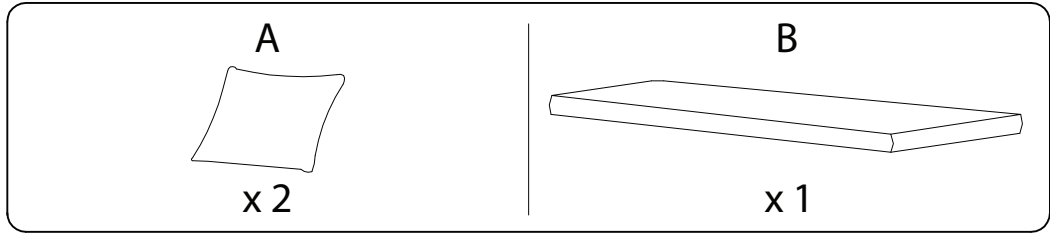
K



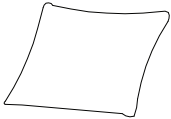

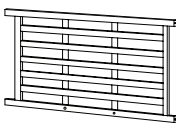
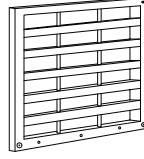


x 10

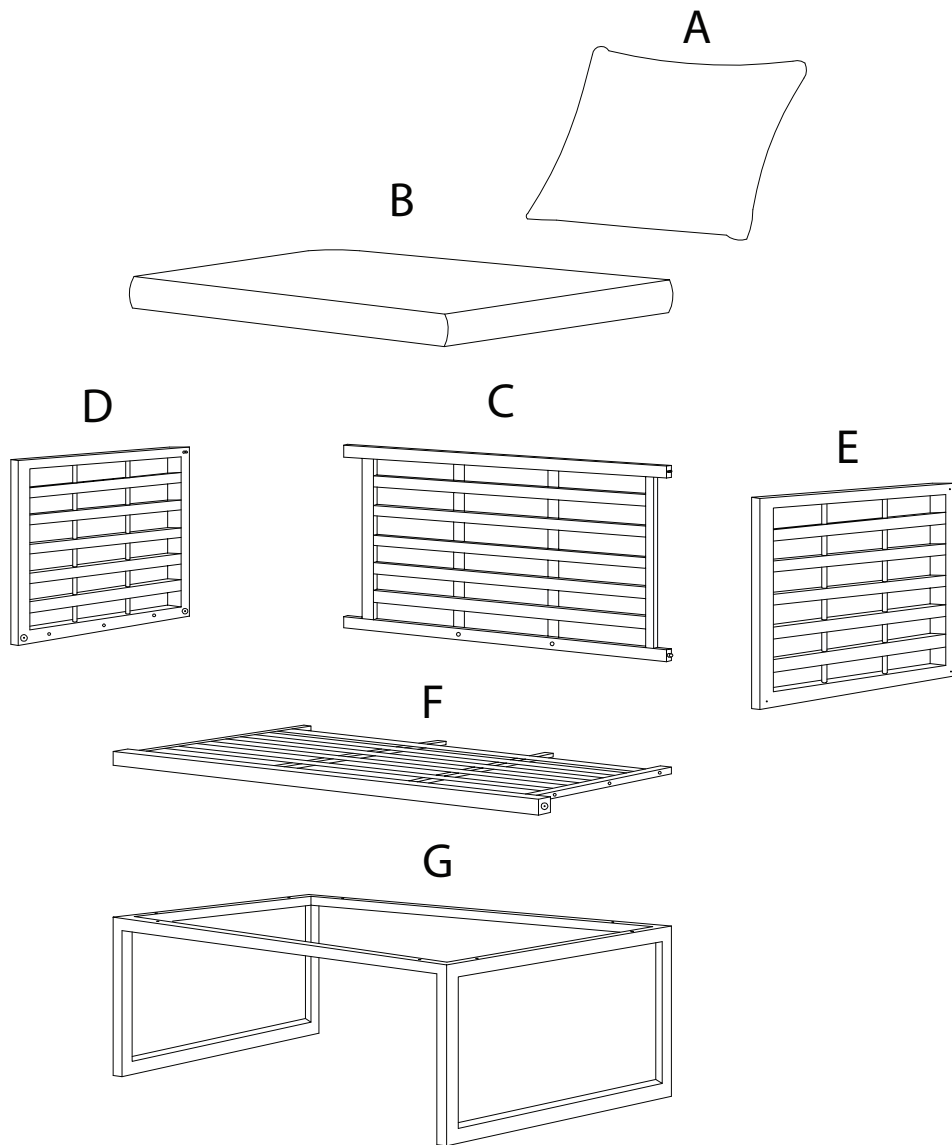


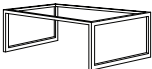
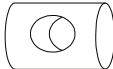
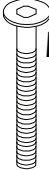
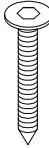
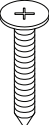
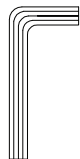
5



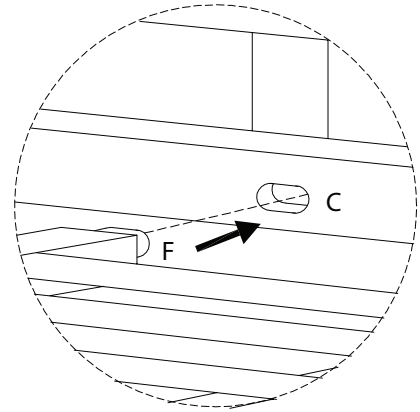
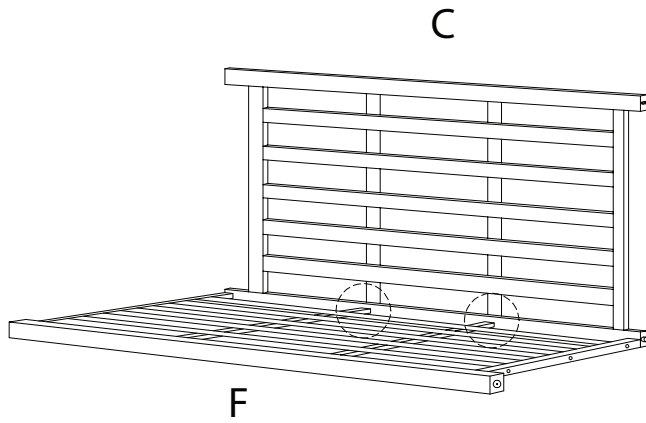
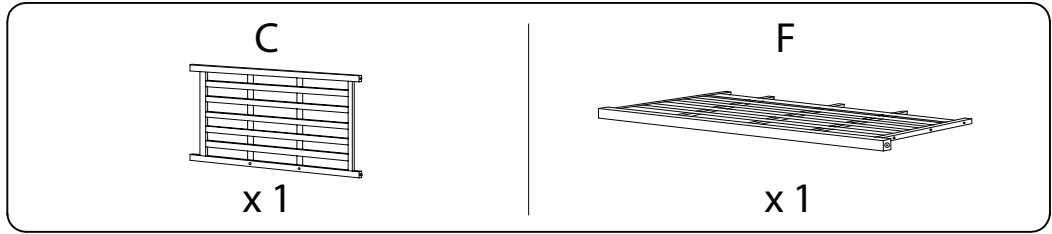
# B x 2

<b>A</b>	<b>B</b>	<b>C</b>	<b>D</b>	<b>E</b>	<b>F</b>
					
<b>x 1</b>	<b>x 1</b>	<b>x 1</b>	<b>x 1</b>	<b>x 1</b>	<b>x 1</b>

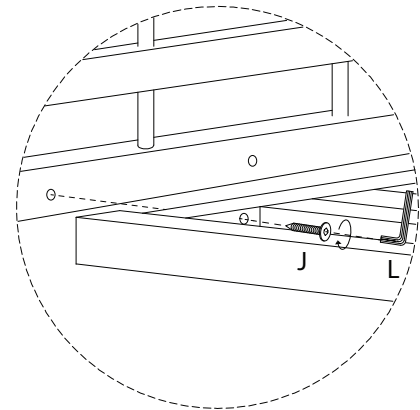
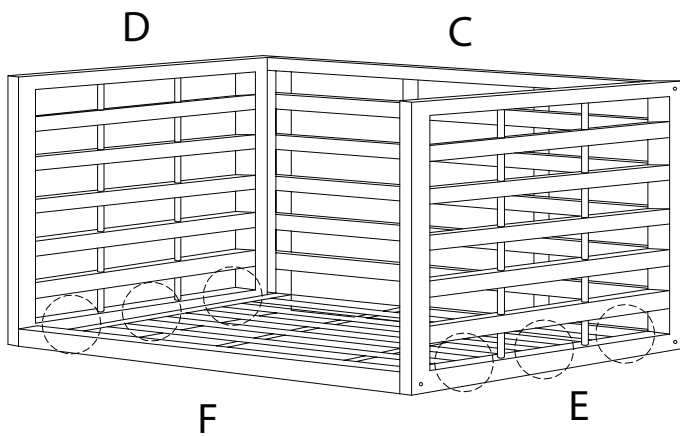
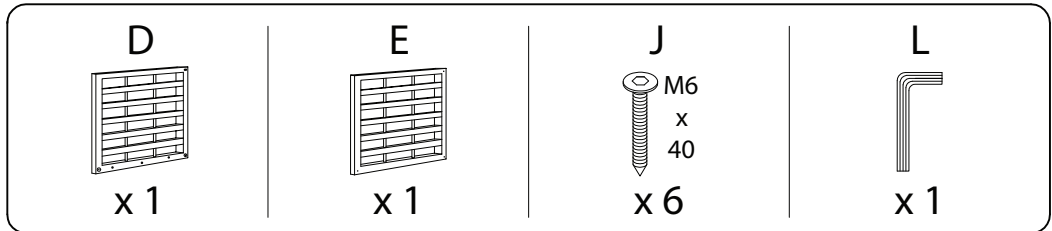


<b>G</b>	<b>H</b>	<b>I</b>	<b>J</b>	<b>K</b>	<b>L</b>
		 M6 x 75	 M6 x 40	 M4 x 35	
<b>x 1</b>	<b>x 6</b>	<b>x 6</b>	<b>x 6</b>	<b>x 8</b>	<b>x 1</b>

1

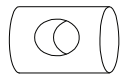


2



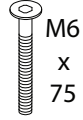
3

H



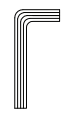
x 6

I

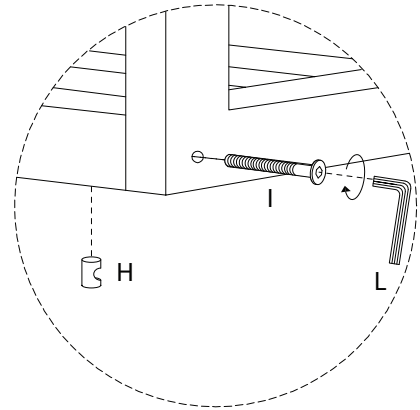
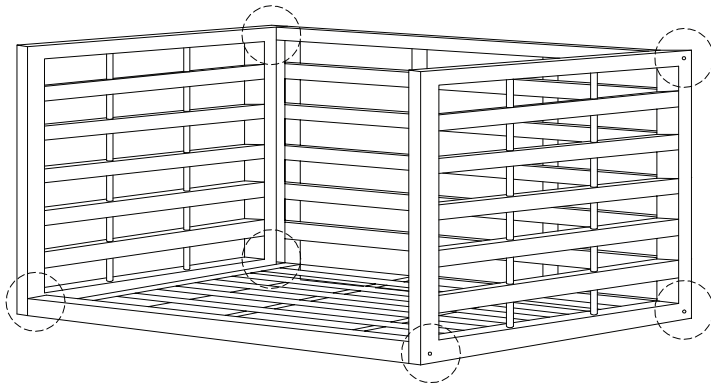


x 6

L

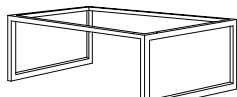


x 1



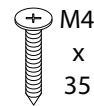
4

G

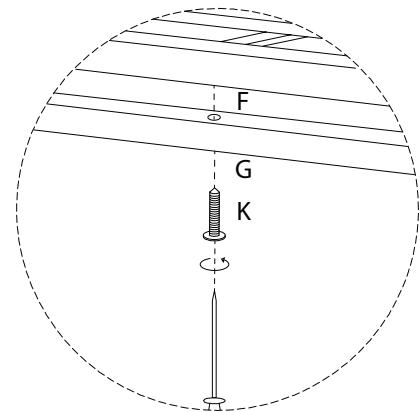
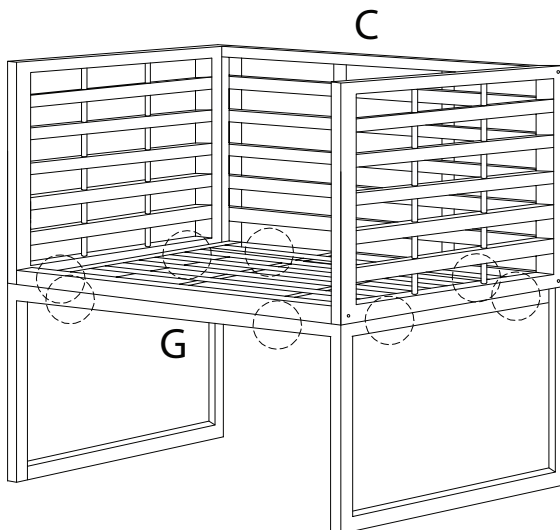


x 1

K

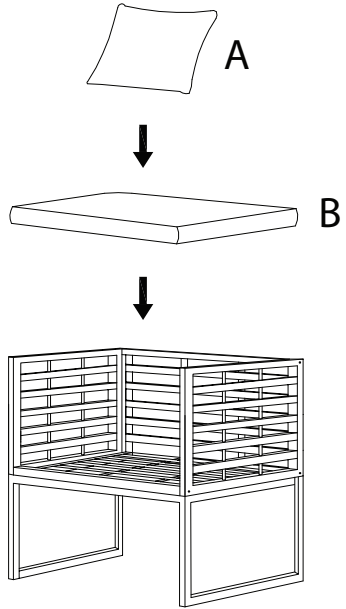
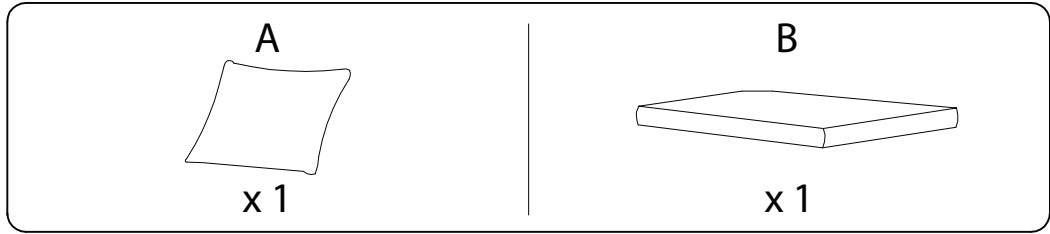


x 8



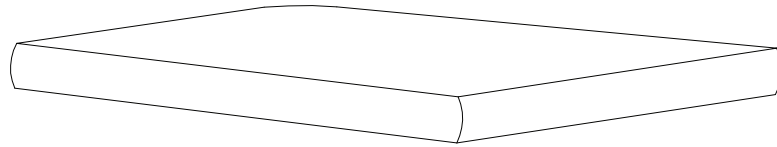


5

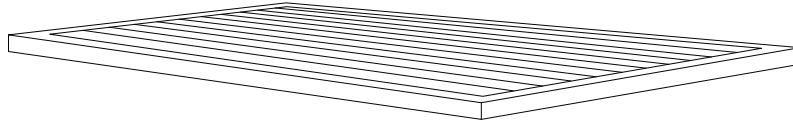


C

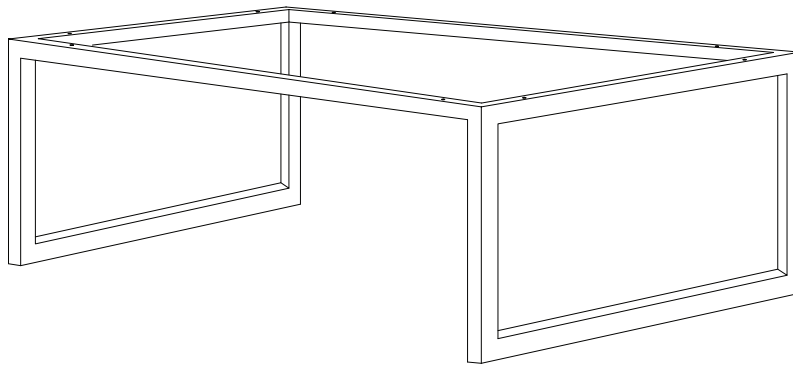
A



B

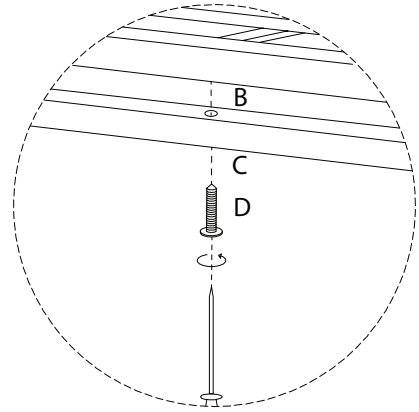
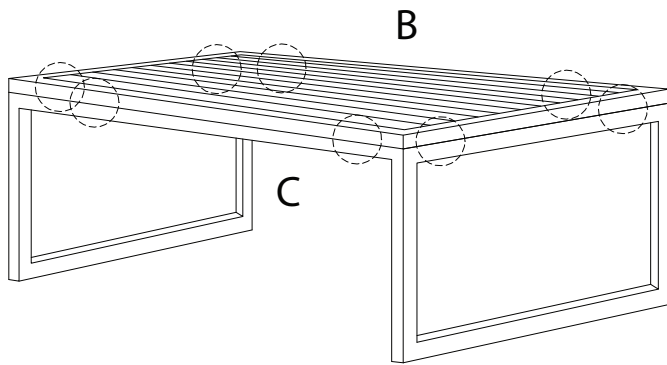
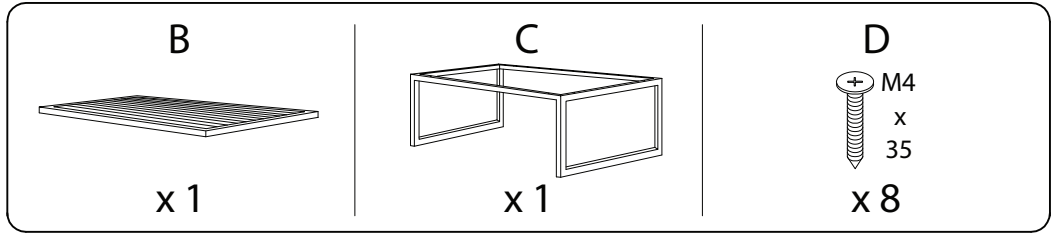


C

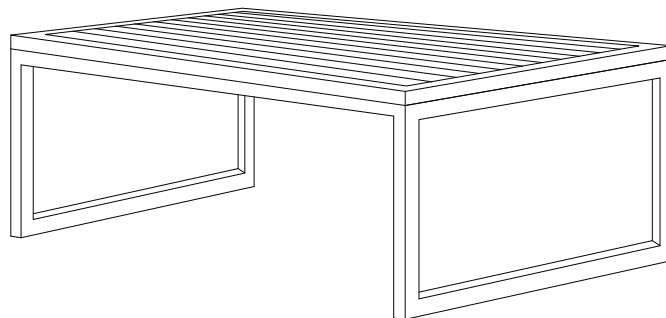
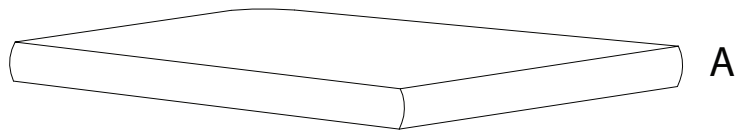
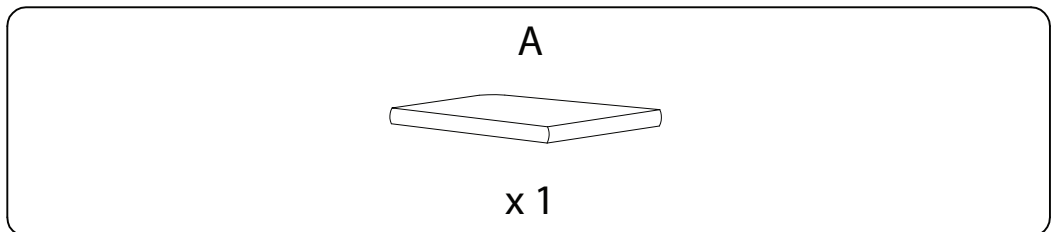


A	B	C	D
x 1	x 1	x 1	x 8

1

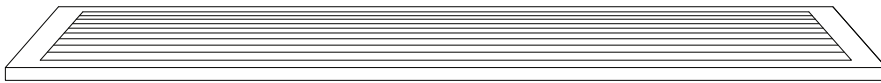


2

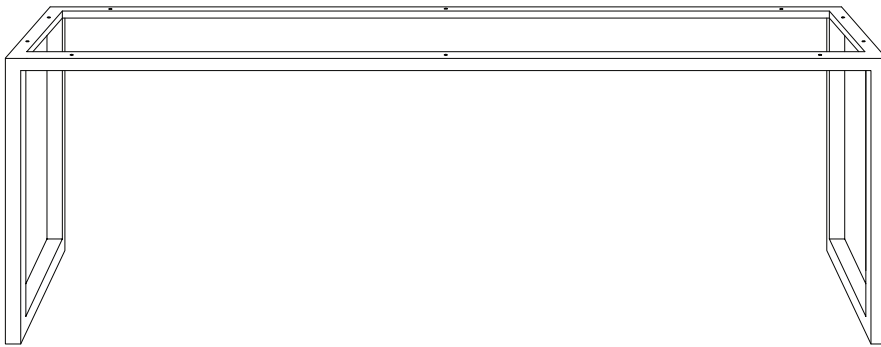


D

A



B

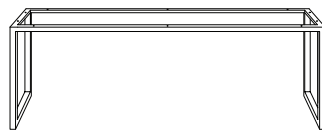


A



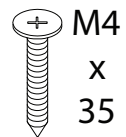
x 1

B



x 1

C



x 10

1

