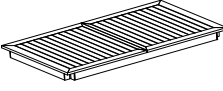

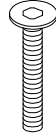
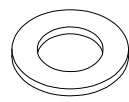
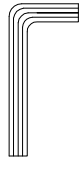
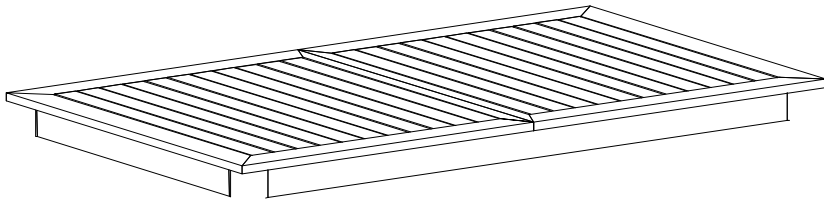


Diagram illustrating assembly instructions and safety warnings:

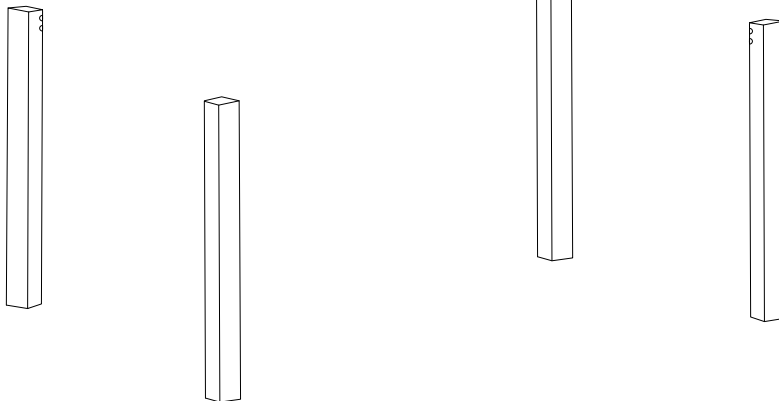
- Warning 1:** A warning triangle with an exclamation mark is positioned above a box containing an L-shaped metal bracket and a power drill with a slash through it, indicating that a power drill should not be used for this step.
- Warning 2:** A second warning triangle with an exclamation mark is positioned above a box containing a rectangular block being placed on a textured surface and a diagram showing a screw being inserted into the block.
- Time:** A clock icon is shown next to the text "15'", indicating a 15-minute assembly time.
- Personnel:** An icon of a person is shown next to the number "1", indicating that one person is required for assembly.

<b>A</b>	<b>B</b>	<b>C</b>	<b>D</b>	<b>E</b>
				
<b>x 1</b>	<b>x 4</b>	<b>x 8</b>	<b>x 8</b>	<b>x 1</b>

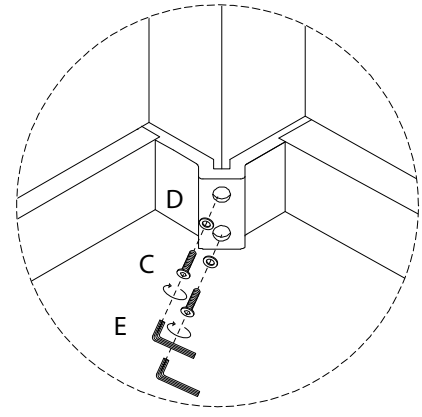
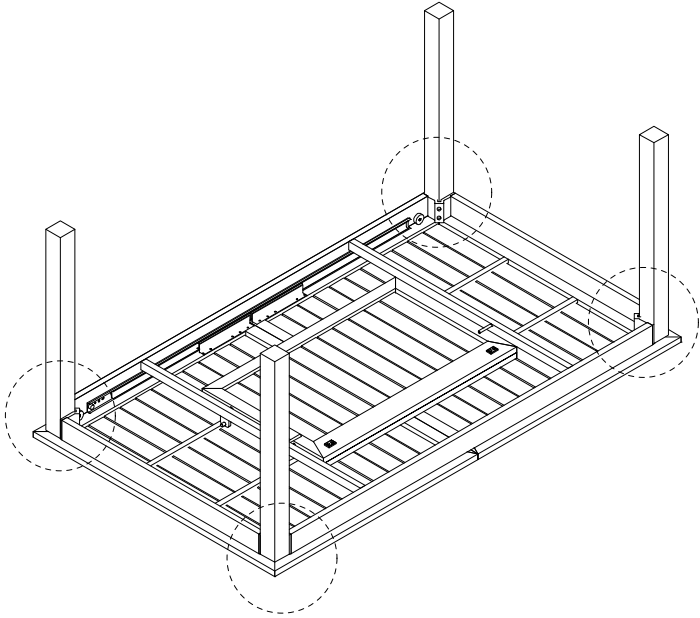
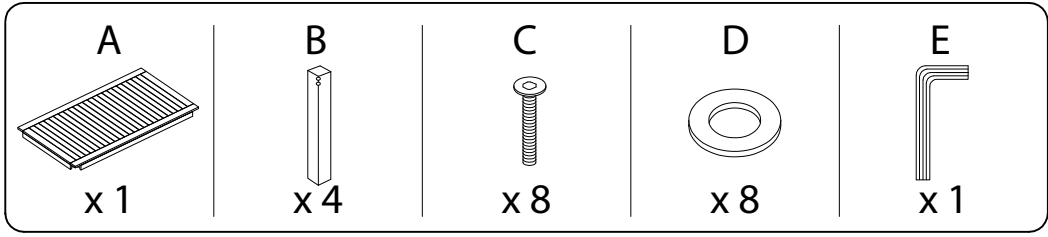
**A**



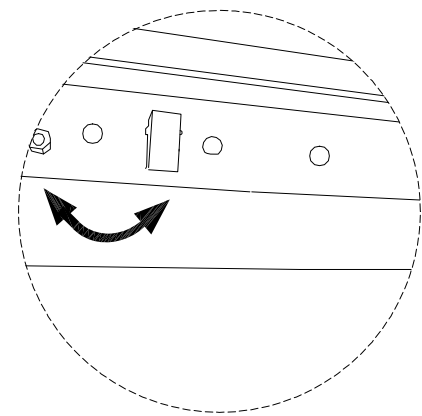
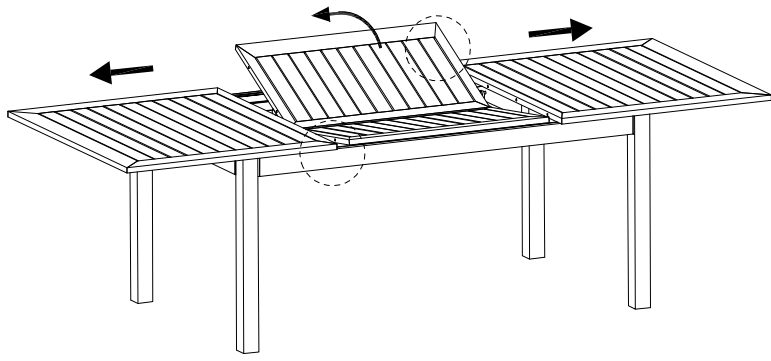
**B x 4**



1



!



!

