

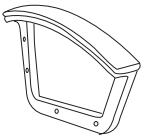
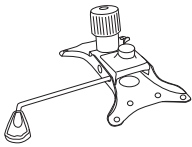

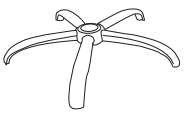
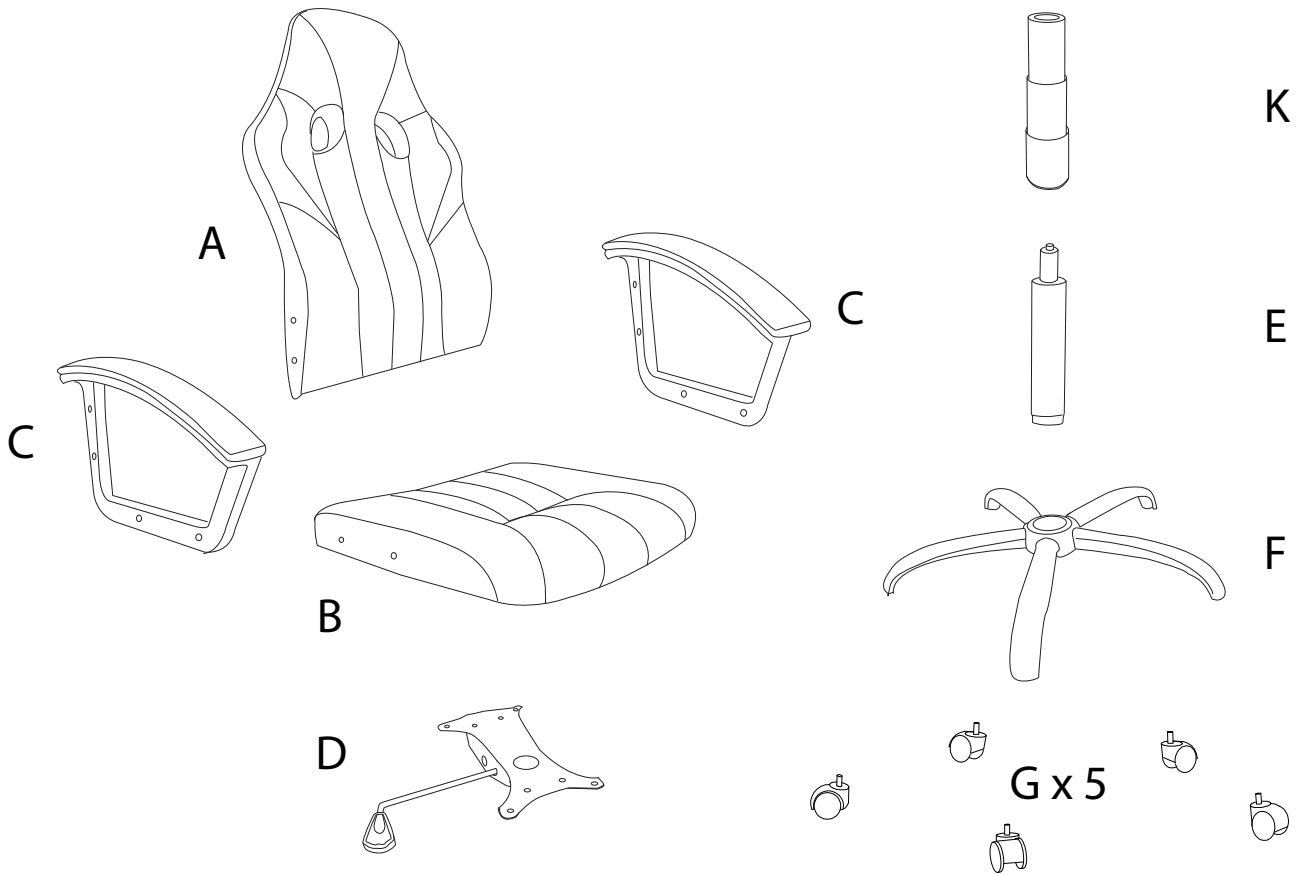


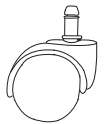
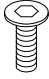
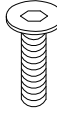
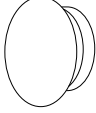

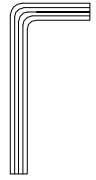


Diagram illustrating assembly instructions and safety warnings:

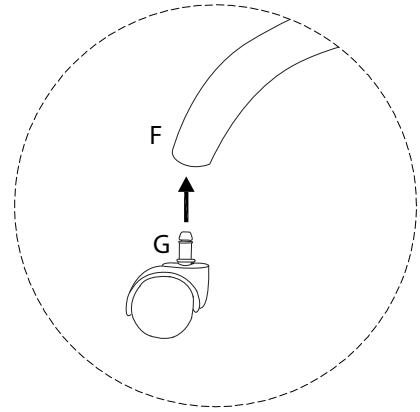
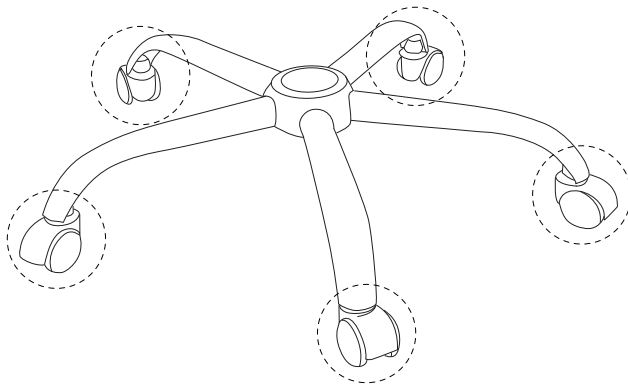
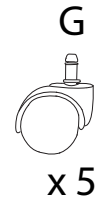
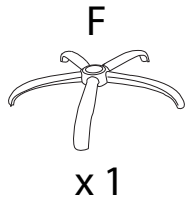
- Warning 1:** A warning triangle with an exclamation mark is positioned above a box containing an L-shaped bracket and a power drill with a slash through it, indicating that a power drill should not be used for this step.
- Warning 2:** A second warning triangle with an exclamation mark is positioned above a box containing a rectangular block being placed on a textured surface and a diagram of the block being lifted, indicating that the block should be placed on a soft surface and not lifted.
- Time:** A clock icon is shown next to the text "30'", indicating the estimated time for this step.
- Person:** An icon of a person is shown next to the number "1", indicating that one person is required for this step.

A	B	C	D	E	F
					
x 1	x 1	x 2	x 1	x 1	x 1

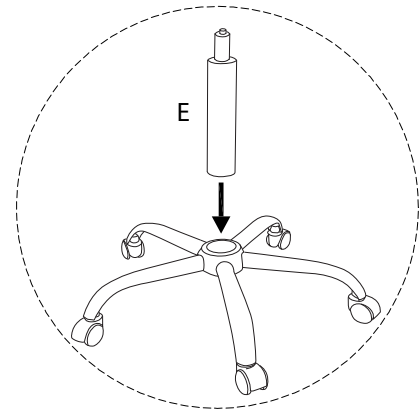
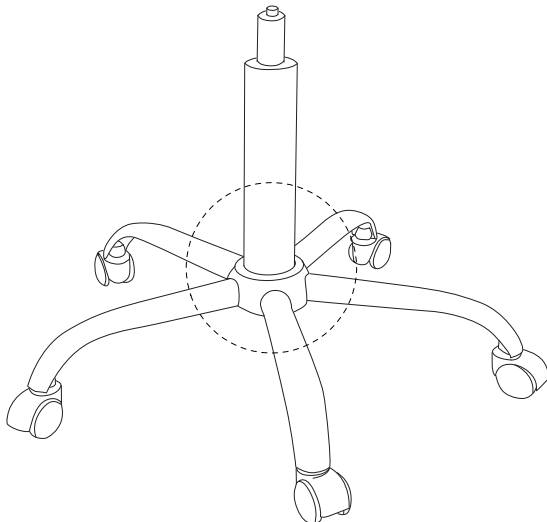
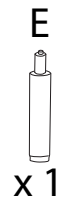


G	H	I	J	K	L
	 M6 x 18	 M6 x 25			
x 5	x 4	x 8	x 8	x 1	x 1

1

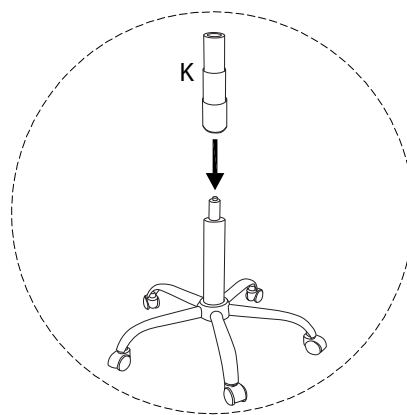
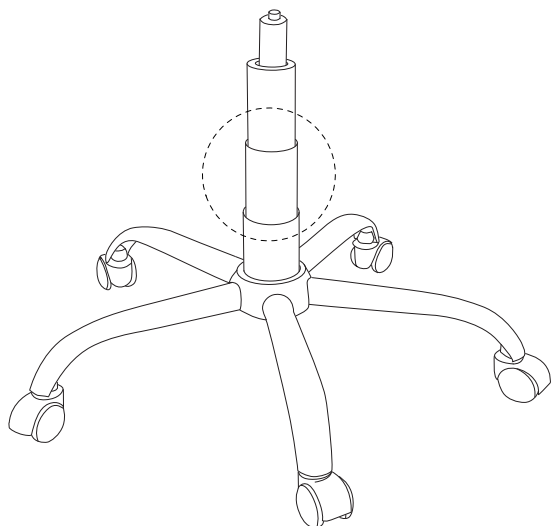


2



3

K
x 1



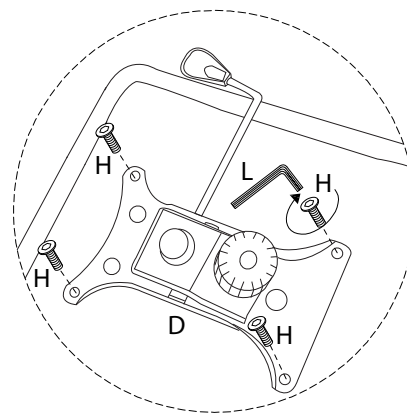
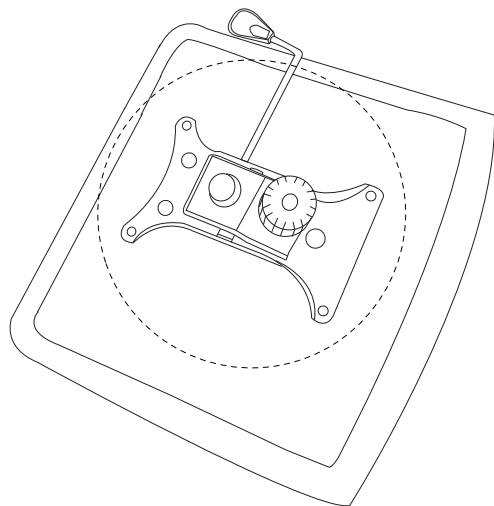
4

B
x 1

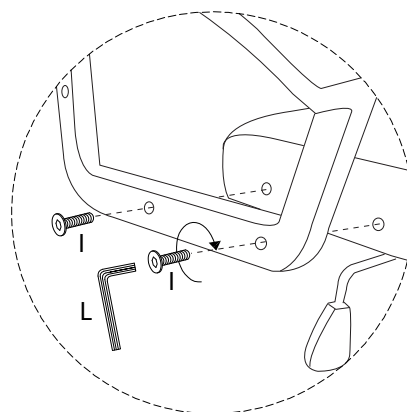
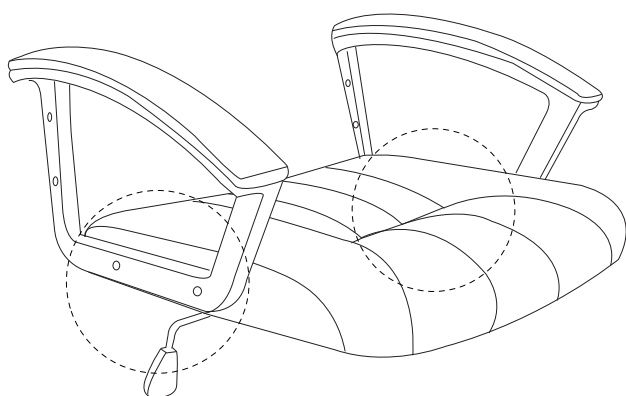
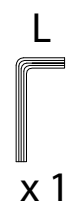
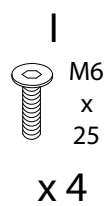
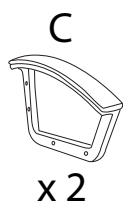
D
x 1

H
M6
x
18
x 4

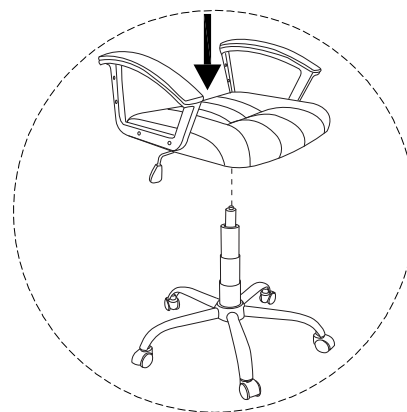
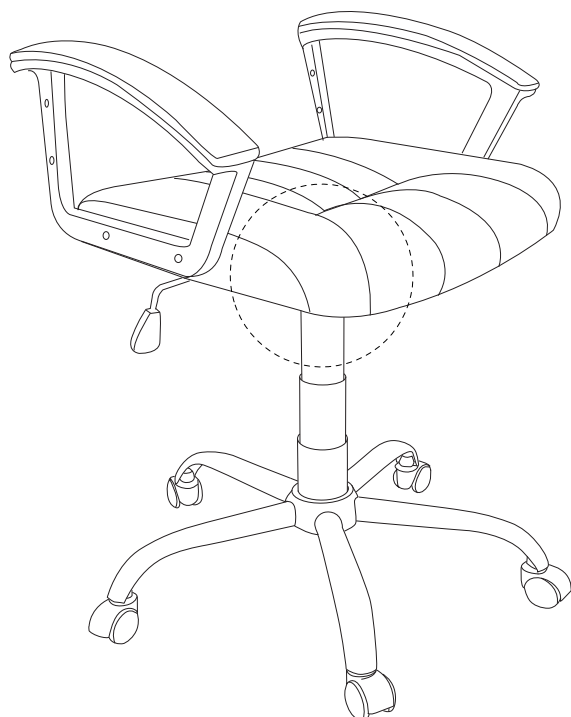
L
x 1



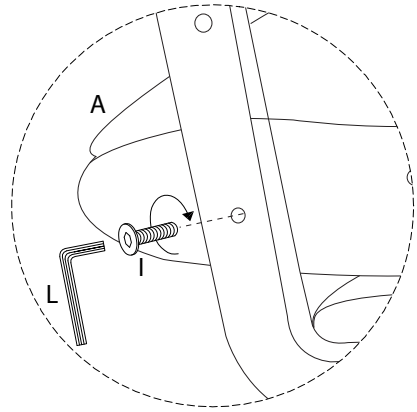
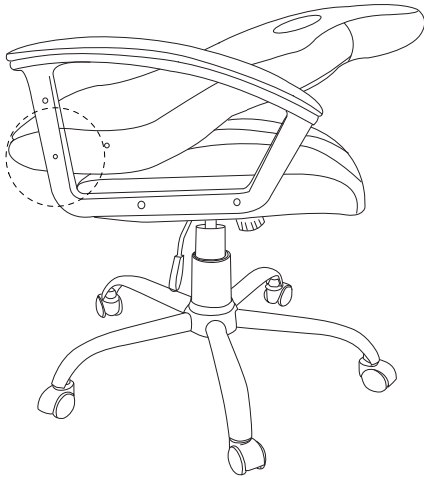
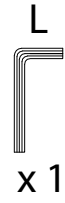
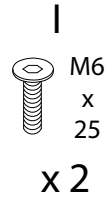
5



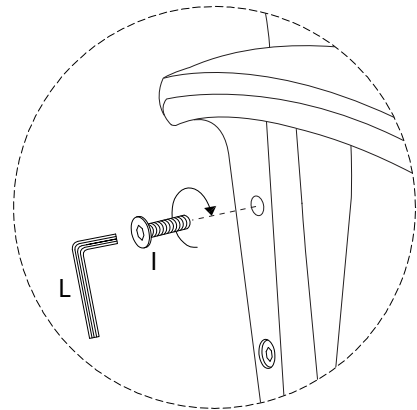
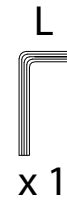
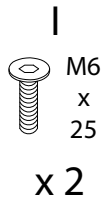
6



7



8

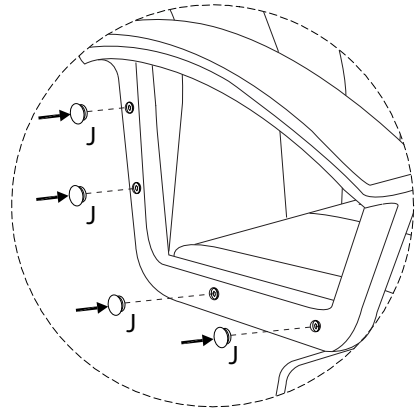
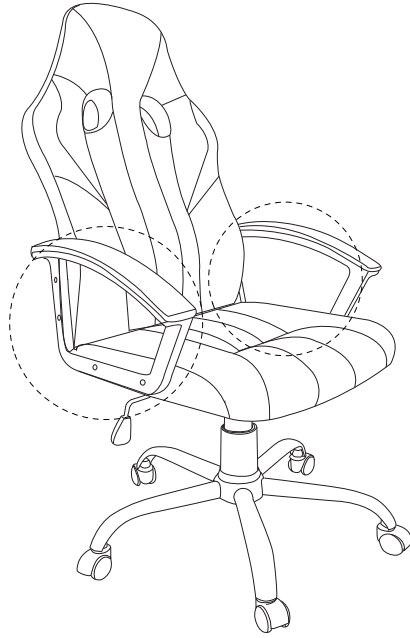


9

J



x 8



!

