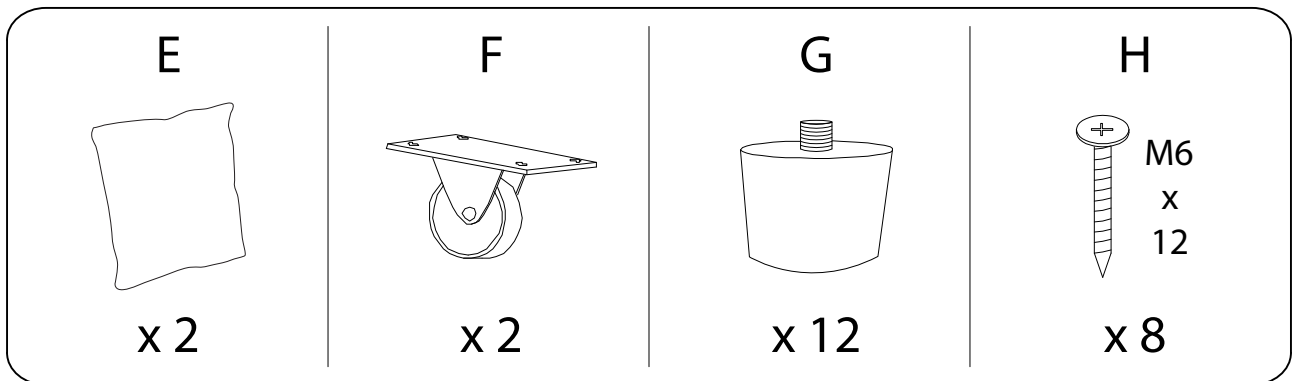
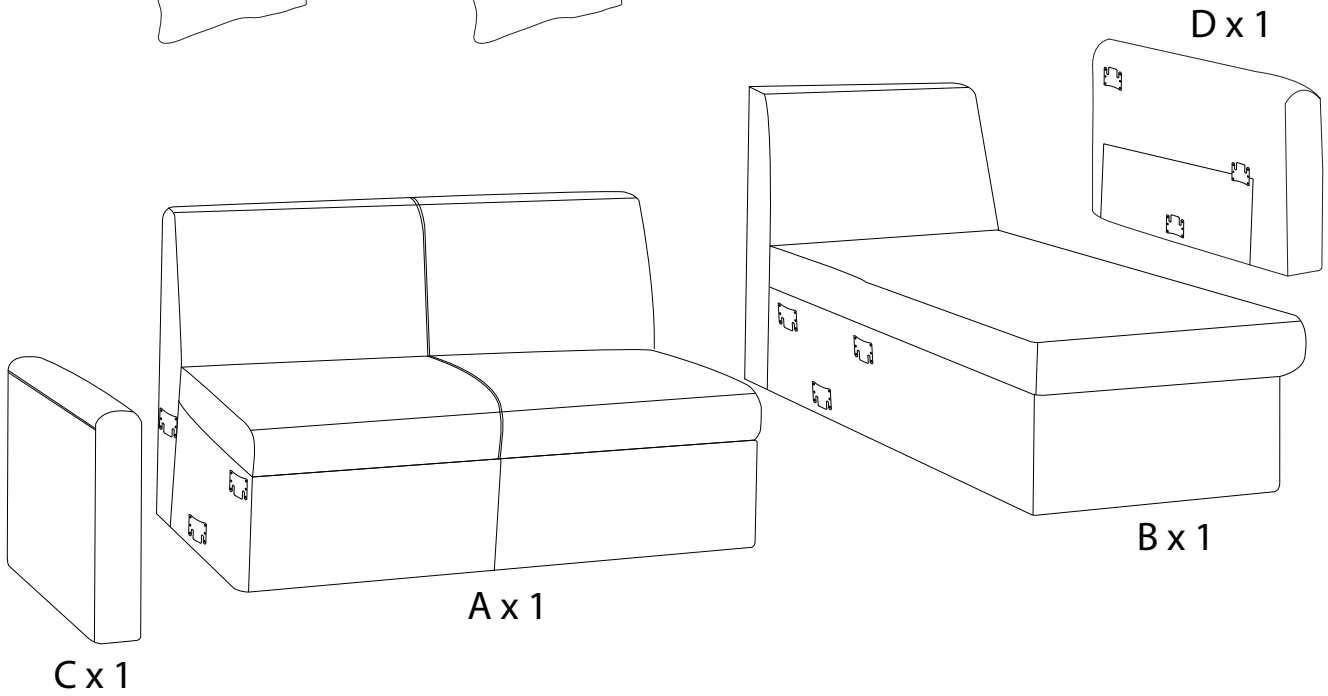
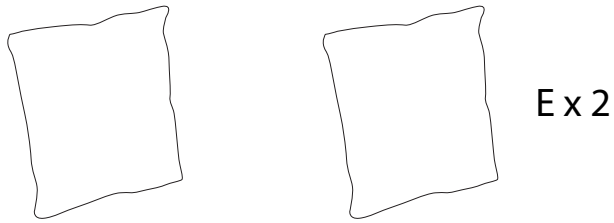
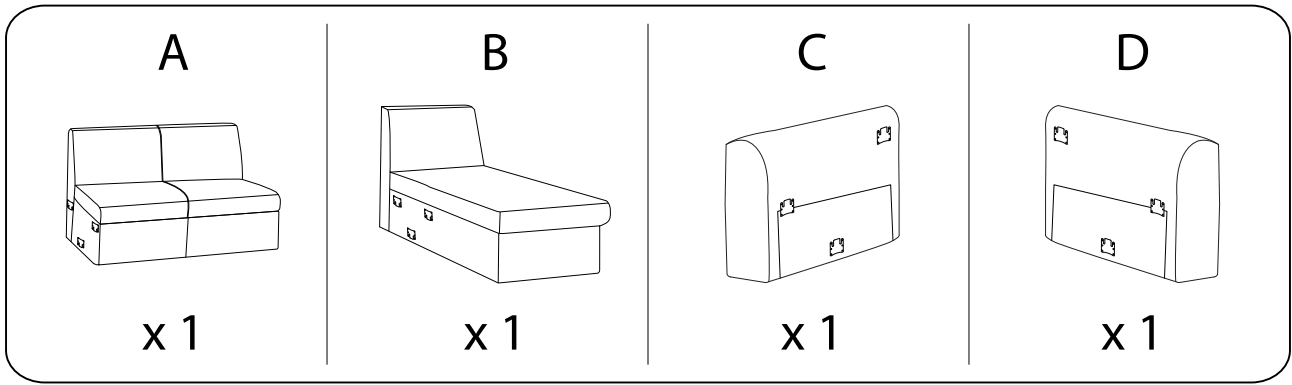


Assembly instructions for step 1/6:

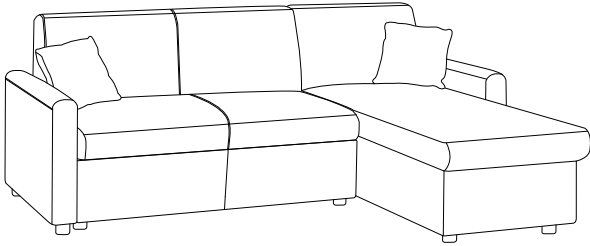
- Tools:** A screwdriver is required. A power drill is not required (indicated by a crossed-out drill icon).
- Time:** Estimated assembly time is 45 minutes (indicated by a clock icon).
- Warnings:** Two warning triangles with exclamation marks are present, one above the tools section and one above the floor preparation section.
- Floor Preparation:** A diagram shows a rectangular block being placed on a floor mat. A second diagram shows the block being placed on a surface that is not level, with a crossed-out arrow indicating that the surface must be level.
- Personnel:** One person is required for assembly (indicated by a person icon and the number 1).

1/6

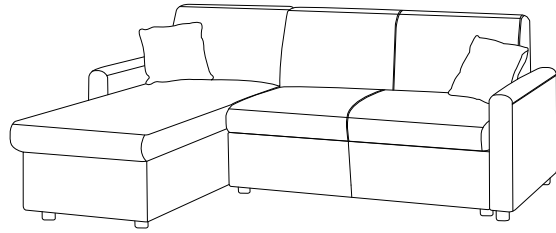


!

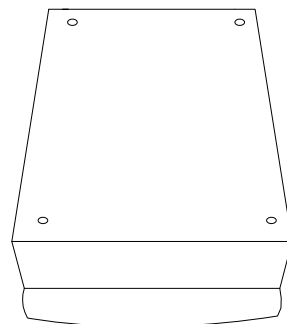
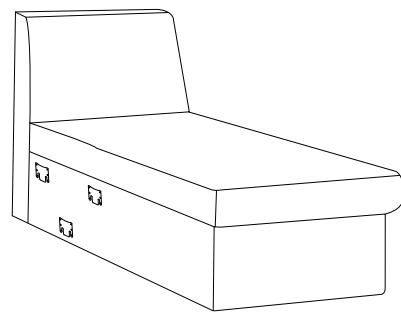
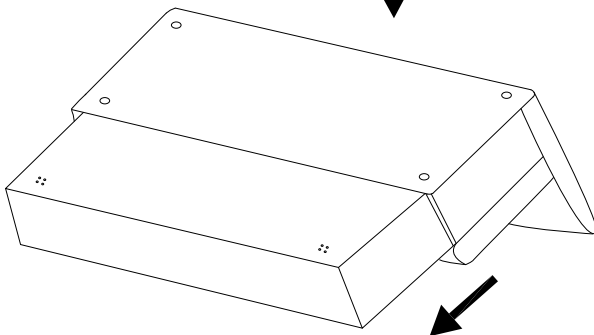
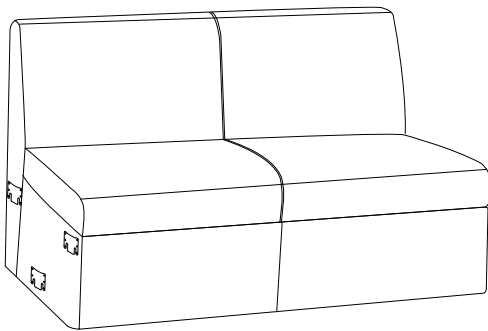
A



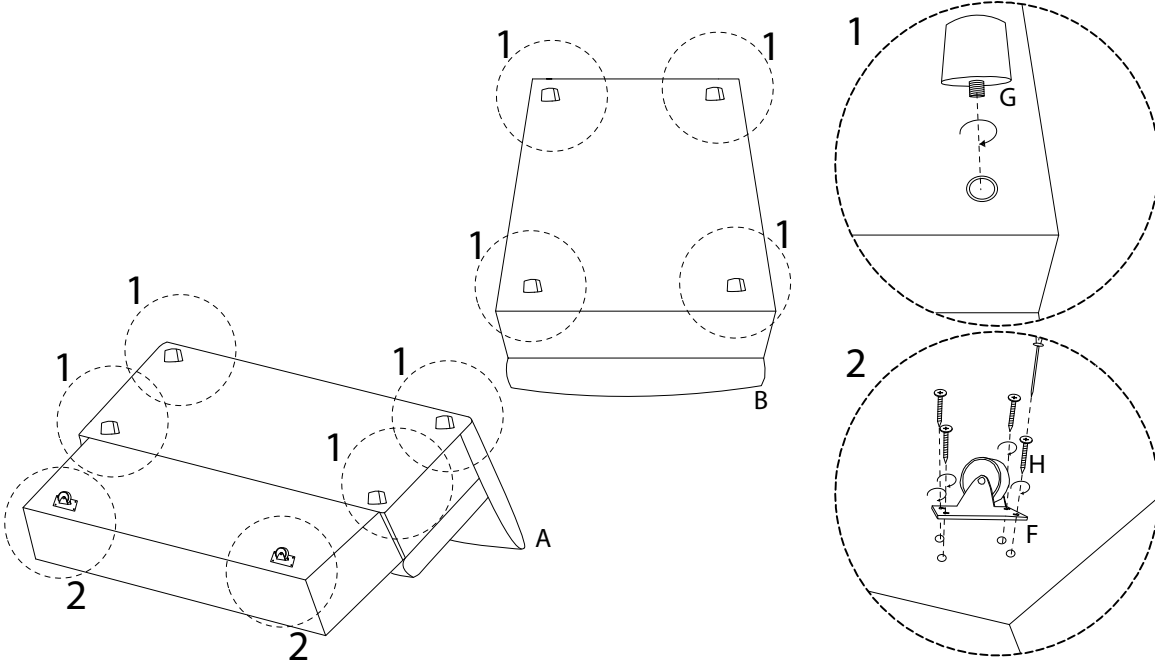
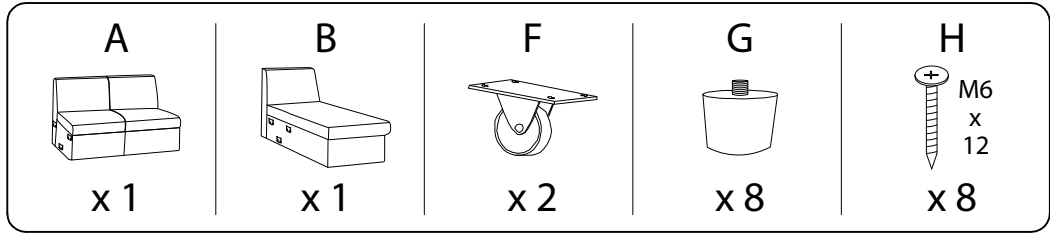
B



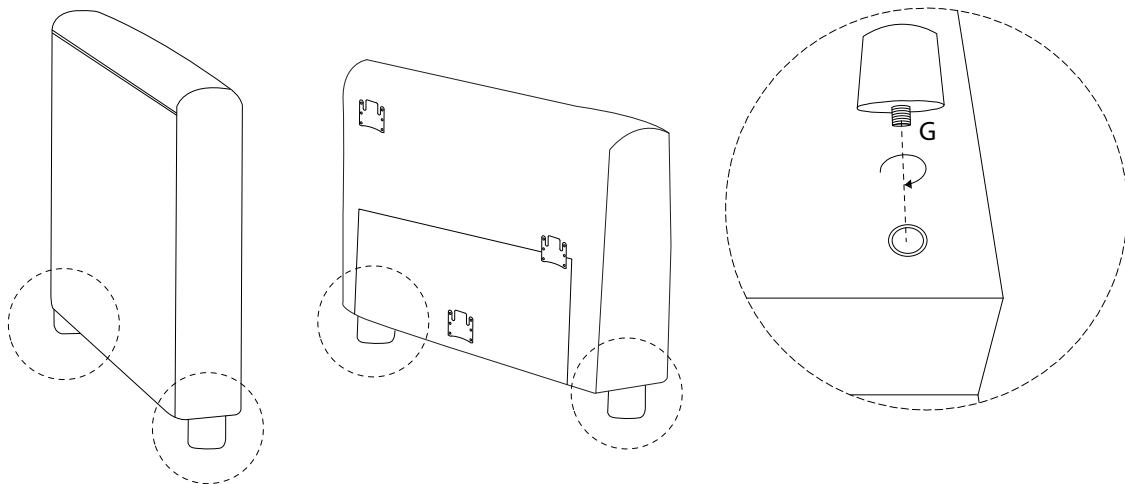
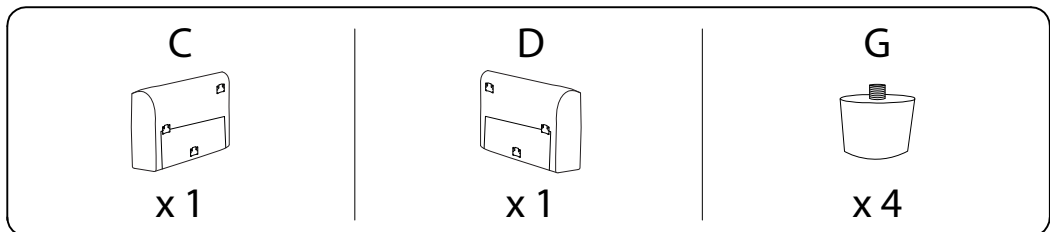
!



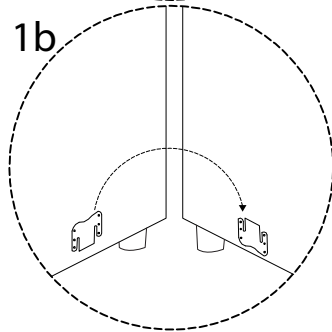
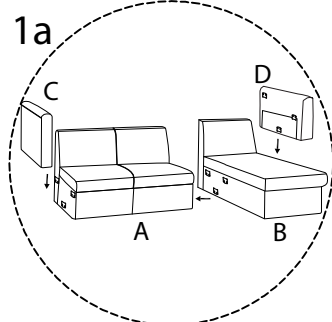
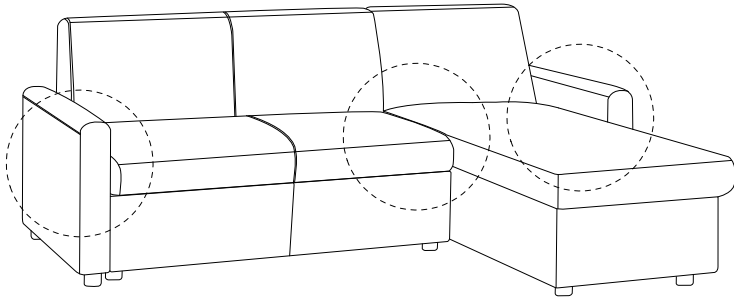
1



2



3



4

