

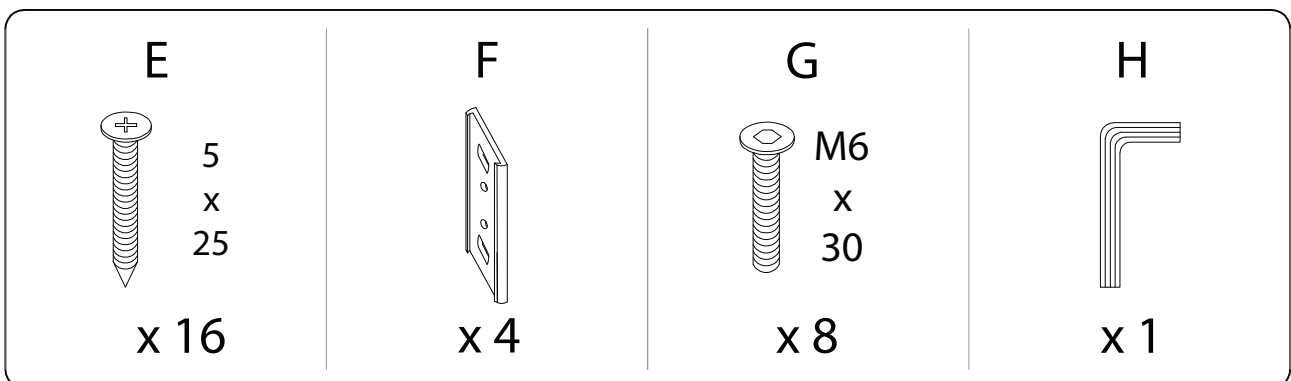
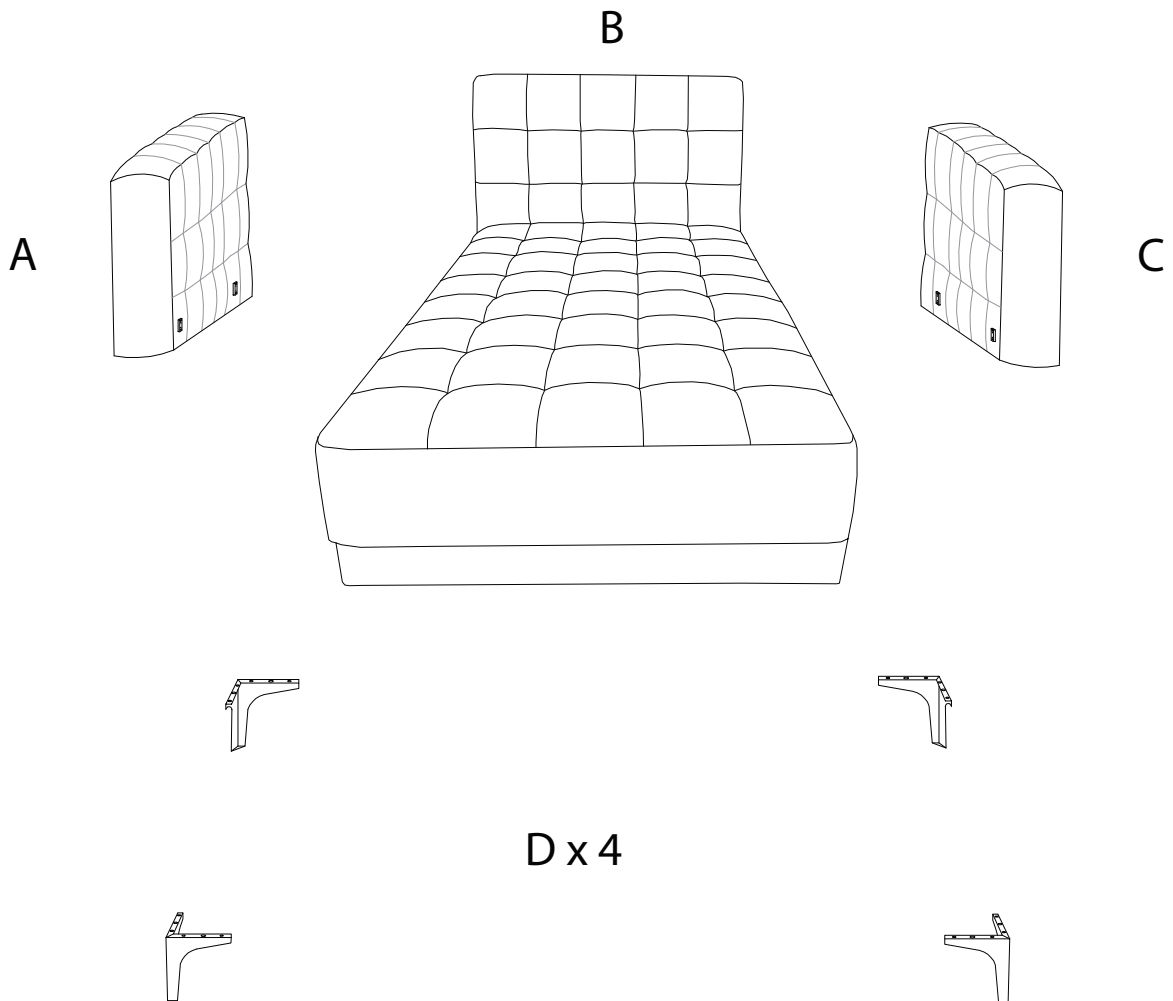
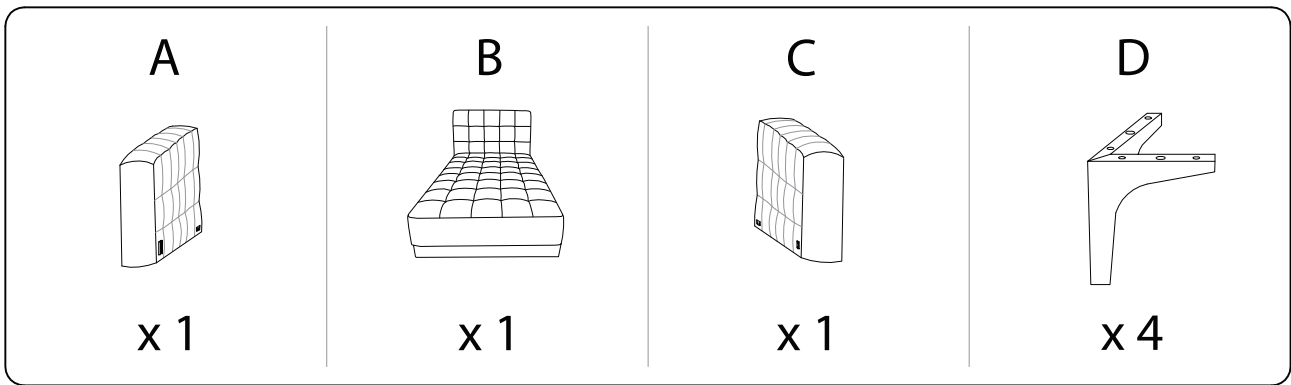
Assembly instructions for the chair, including tool requirements, time, and personnel.

Tools: An icon shows an Allen key and a screwdriver inside a circle, and a power drill with a slash through it, indicating that a power drill is not required.

Warning: A triangle with an exclamation mark indicates a warning.

Time: A clock icon with the number 30' indicates that the assembly takes 30 minutes.

Personnel: An icon of a person with the number 2 indicates that two people are required for assembly.



1

B



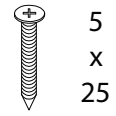
x 1

D

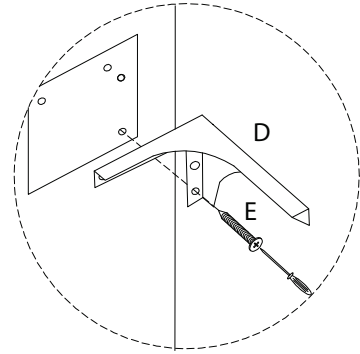
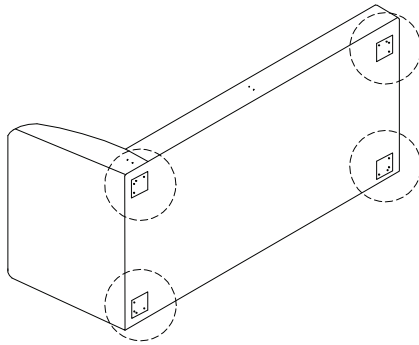


x 4

E



x 16



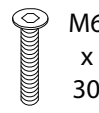
2

F



x 4

G

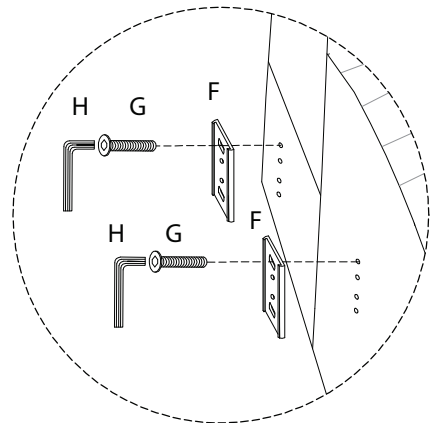
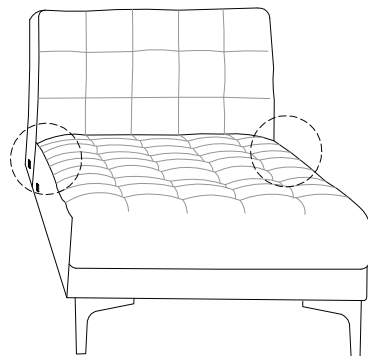


x 8

H



x 1



3

A



x 1

C



x 1

