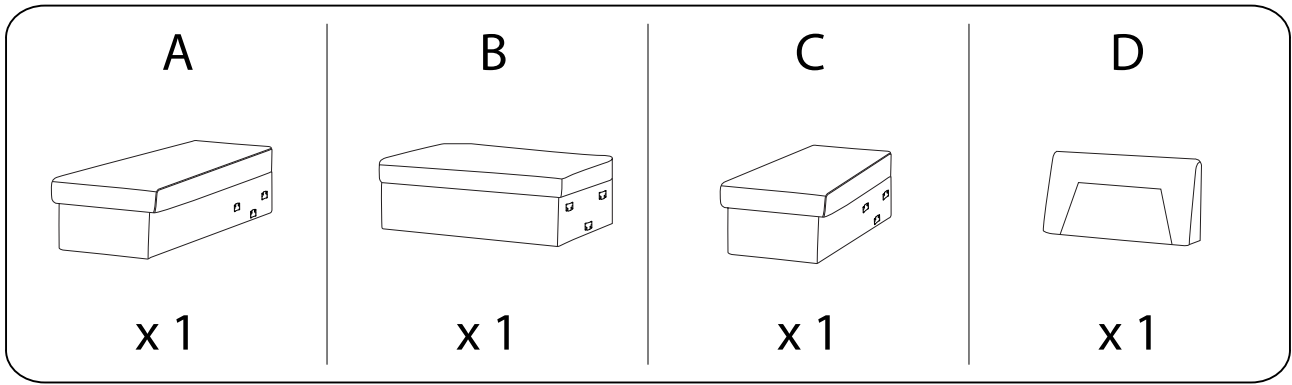
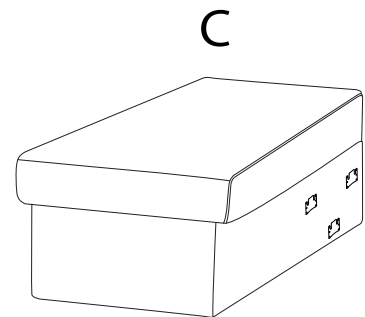
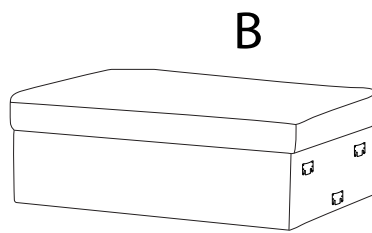
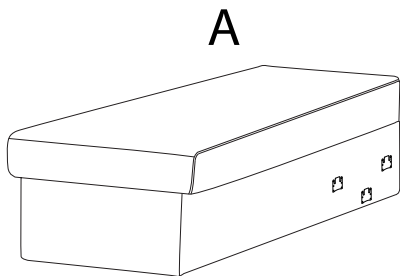
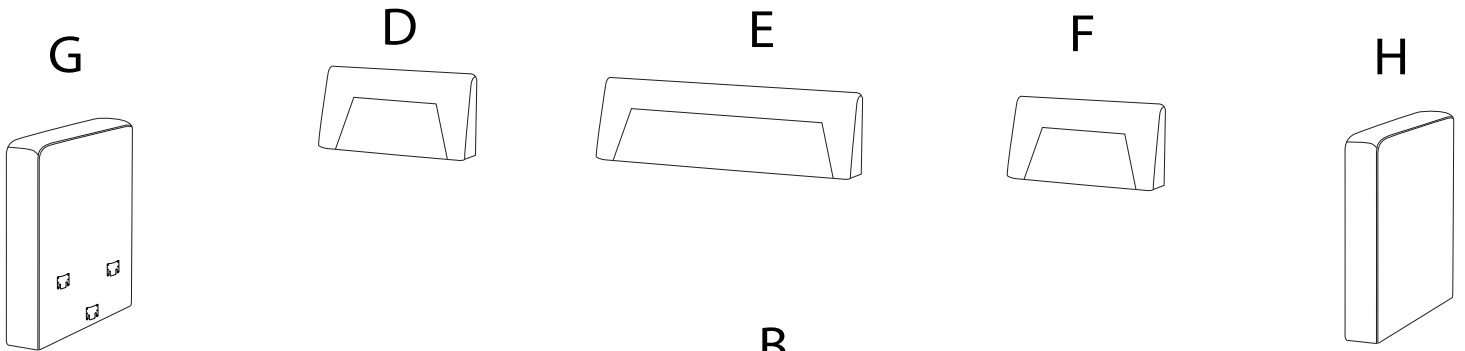
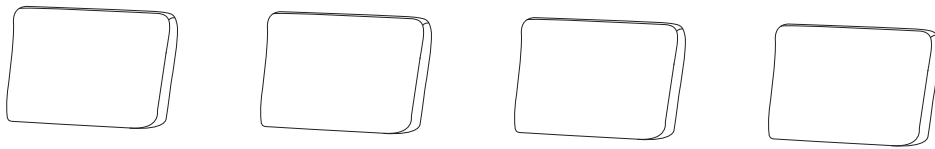


Assembly instructions for step 1/8:

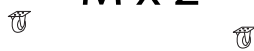
- Tools:** A screwdriver is shown as the required tool. A power drill is shown with a diagonal line through it, indicating it is not to be used.
- Warning:** A warning triangle with an exclamation mark is present.
- Time:** A clock icon indicates an estimated assembly time of 40 minutes.
- Personnel:** A person icon and the number 1 indicate that one person is required for assembly.



J x 4



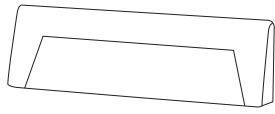
M x 2



K x 16

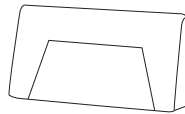


E



x 1

F



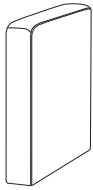
x 1

G



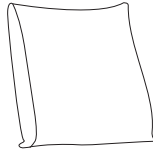
x 1

H



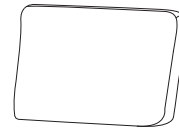
x 1

I



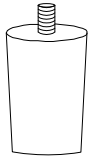
x 2

J



x 4

K



x 16

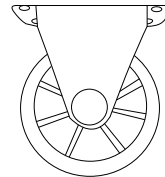
L



M4
x
16

x 8

M



x 2

1

G

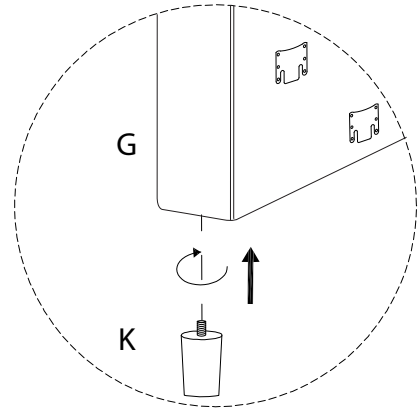
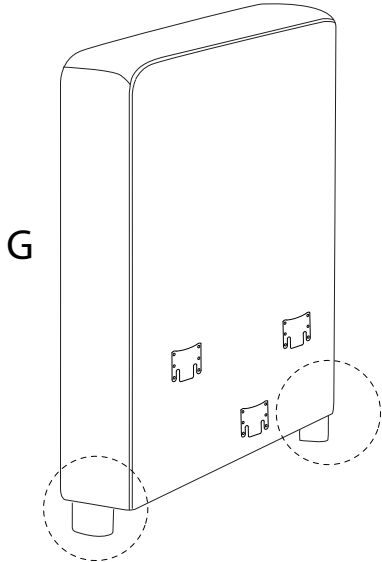


x 1

K

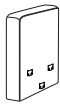


x 2



2

H

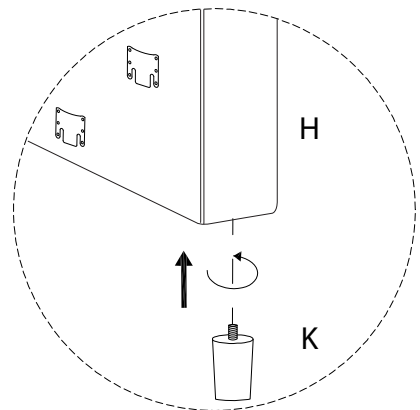
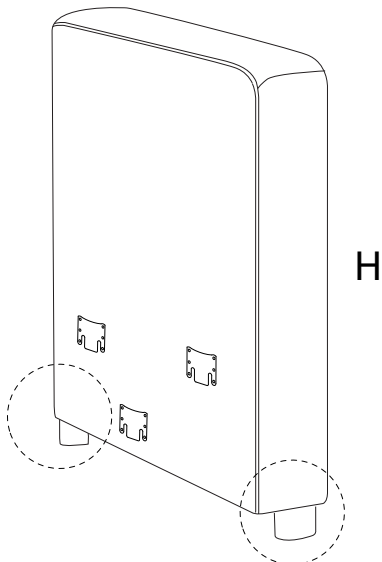


x 1

K

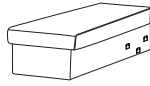


x 2



3

A

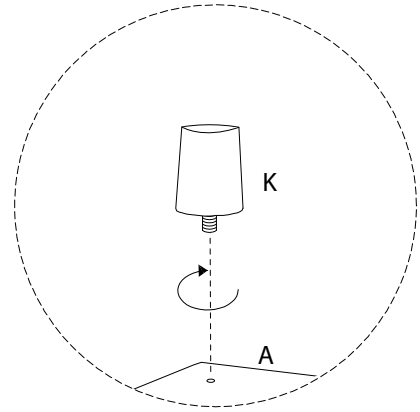
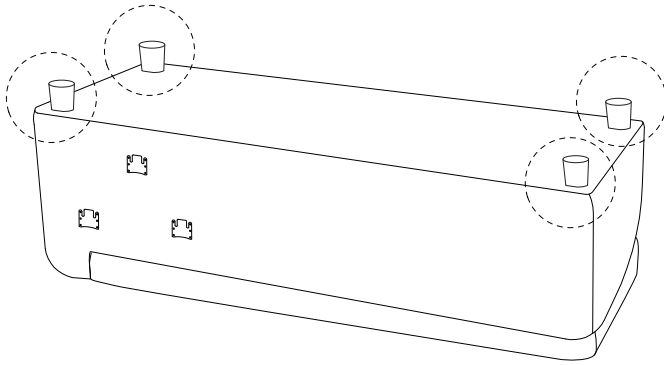


x 1

K

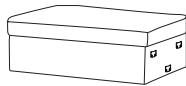


x 4



4

B



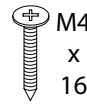
x 1

K



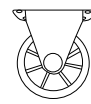
x 4

L

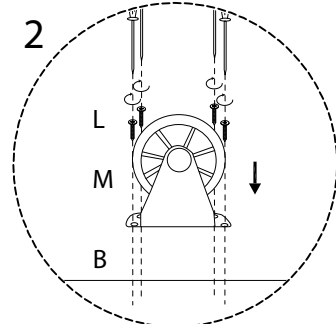
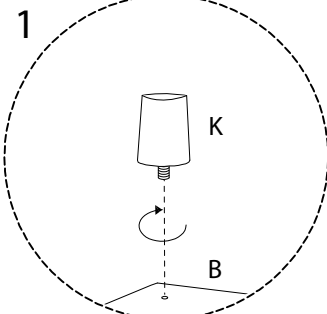
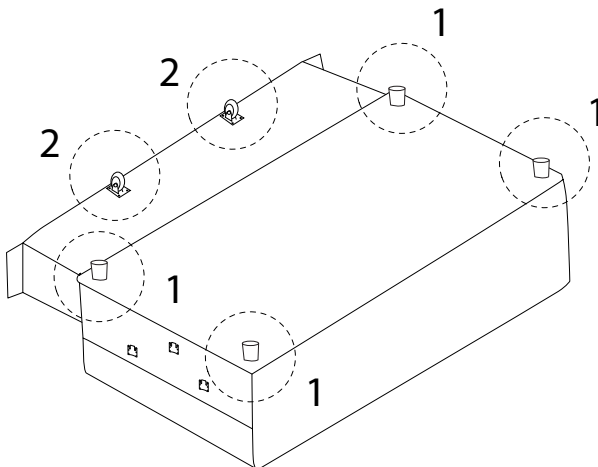


x 8

M

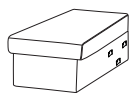


x 2



5

C

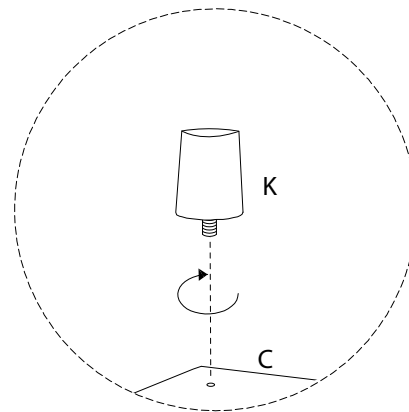
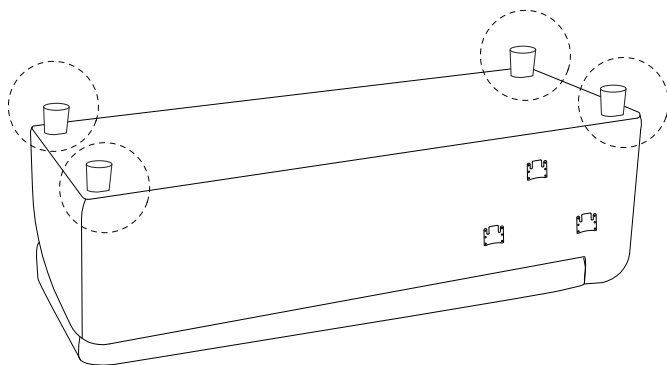


x 1

K



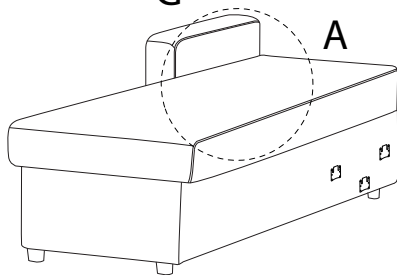
x 4



6

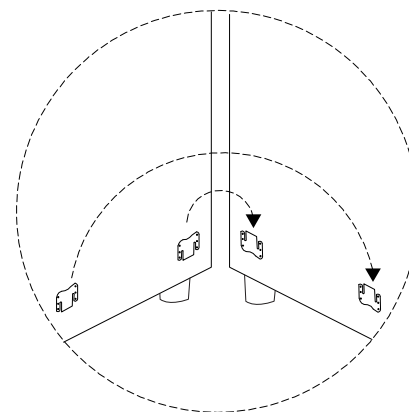
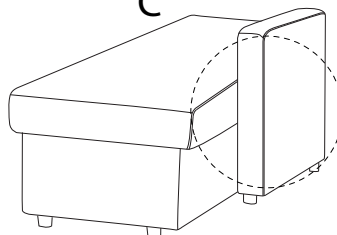
G

A

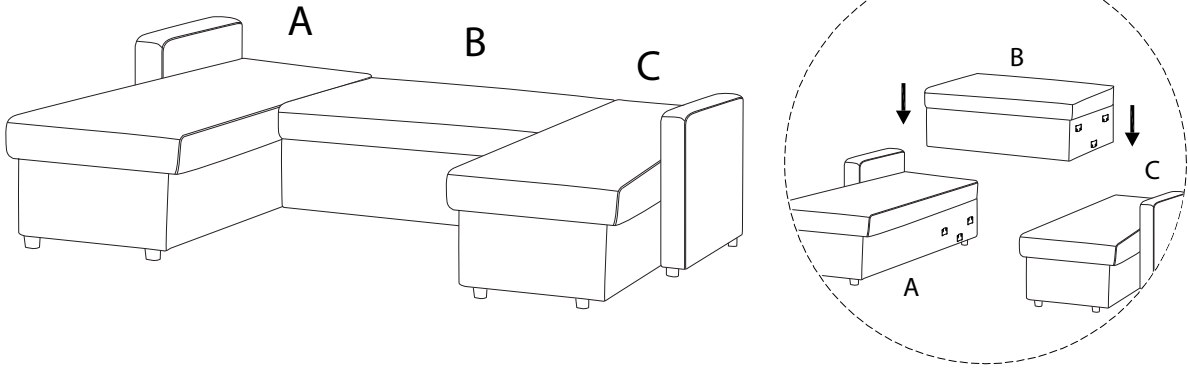


C

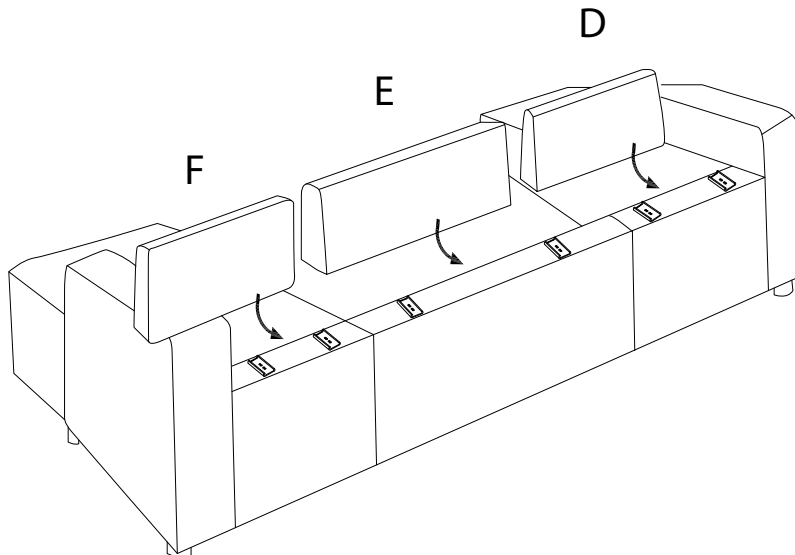
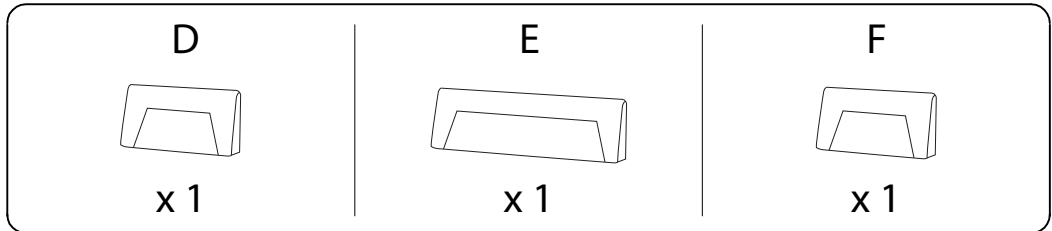
H



7



8



9

