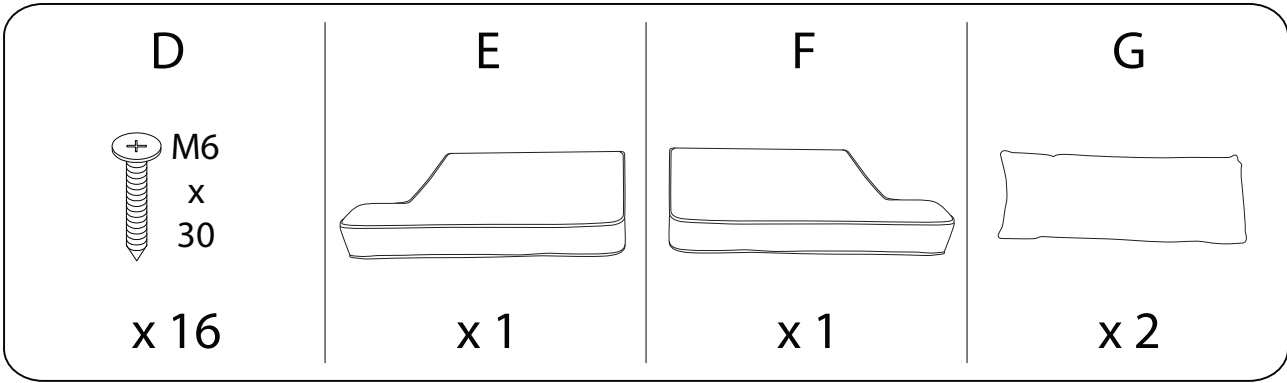
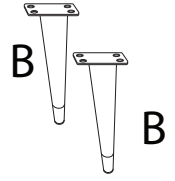
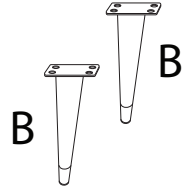
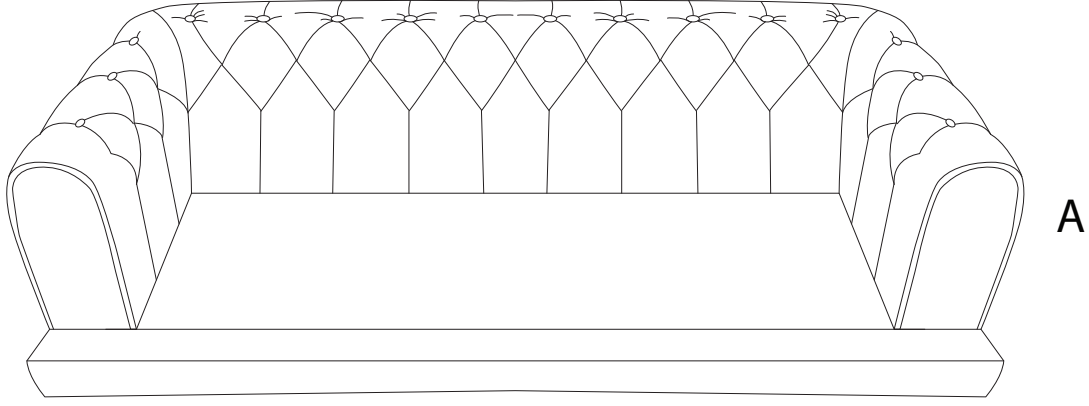
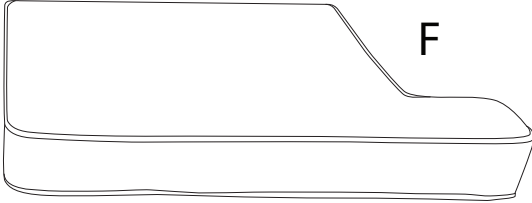
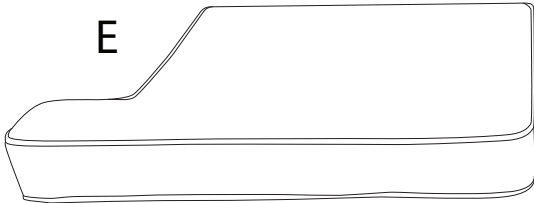
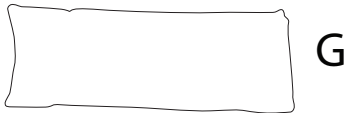
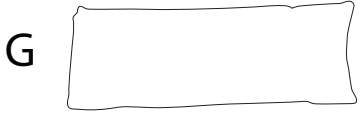
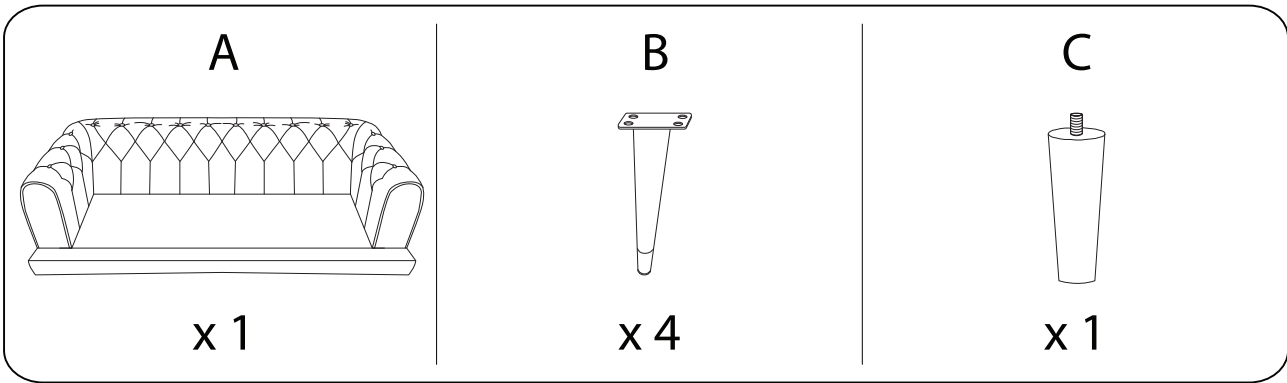


A rectangular box containing two icons: a screwdriver on the left and a power drill on the right. A diagonal line is drawn over the power drill icon. To the right of the box is a warning triangle containing an exclamation mark.	A simple line drawing of a clock face with tick marks around the perimeter and hands pointing to approximately 1:50.
A rectangular box containing two icons: a cushion on a textured base on the left and a rectangular block on the right. A diagonal line is drawn over the block icon. To the right of the box is a warning triangle containing an exclamation mark.	A simple line drawing of a person standing, representing a single person.

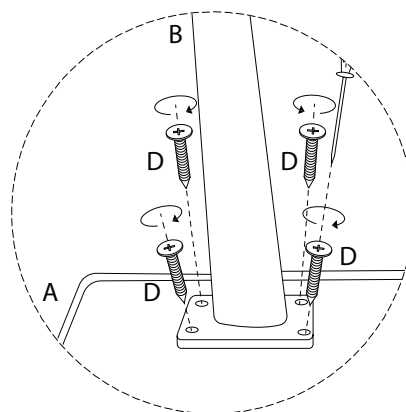
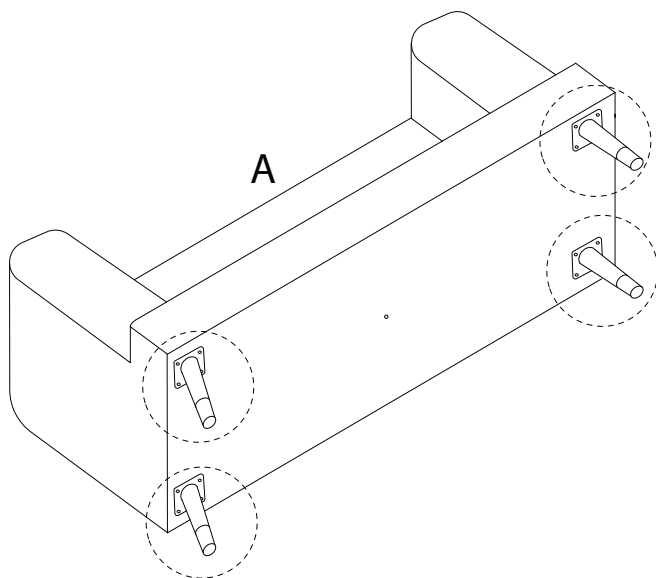
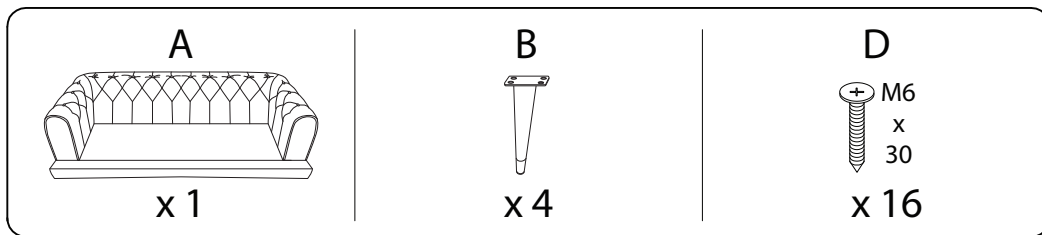
15'

1

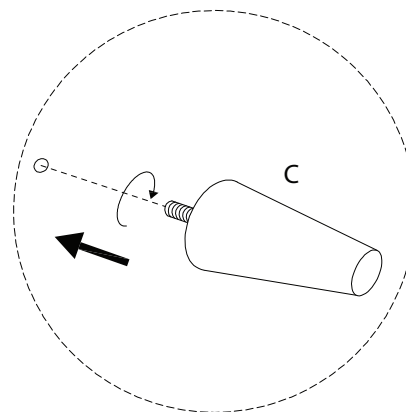
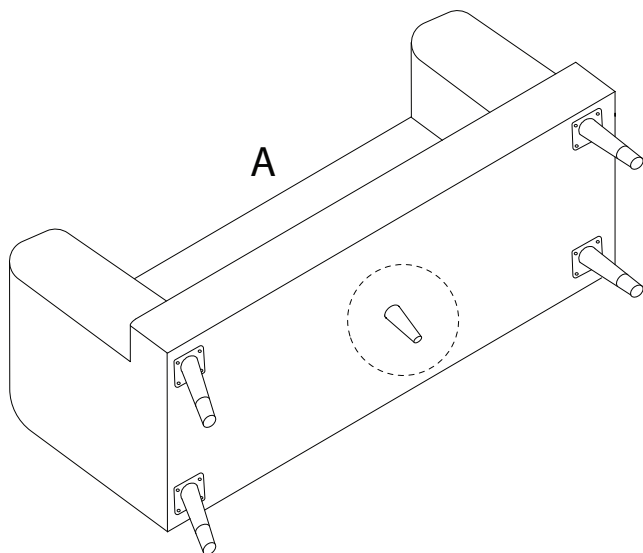
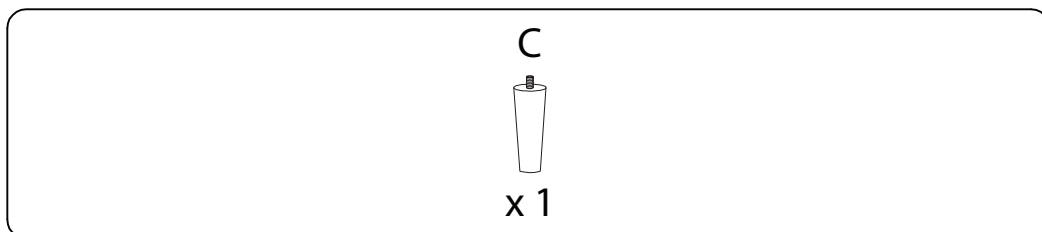
1/4



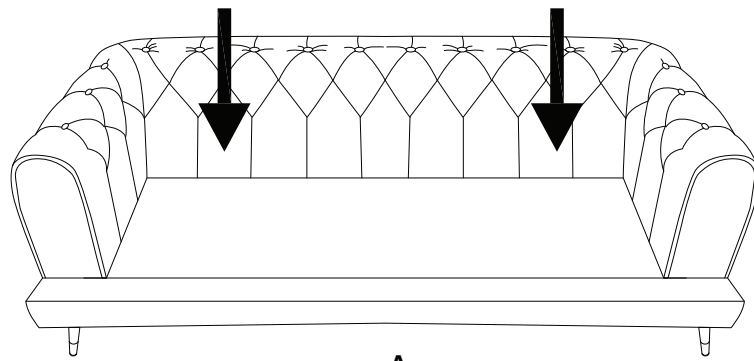
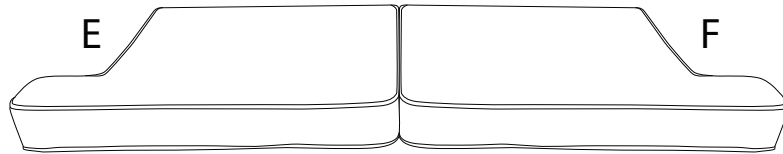
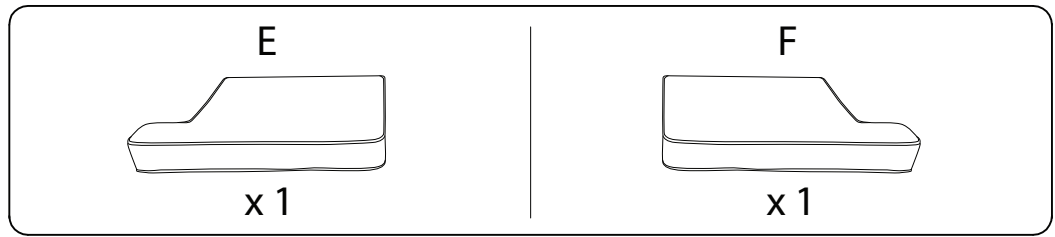
1



2

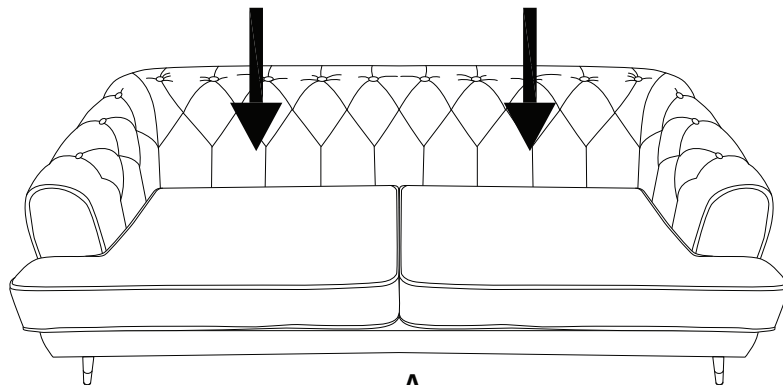
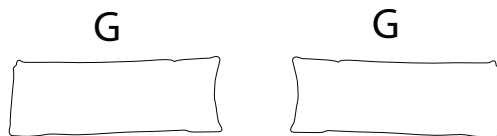
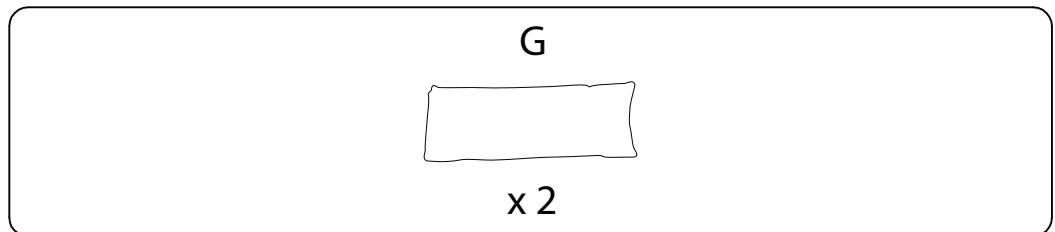


1



A

2



A