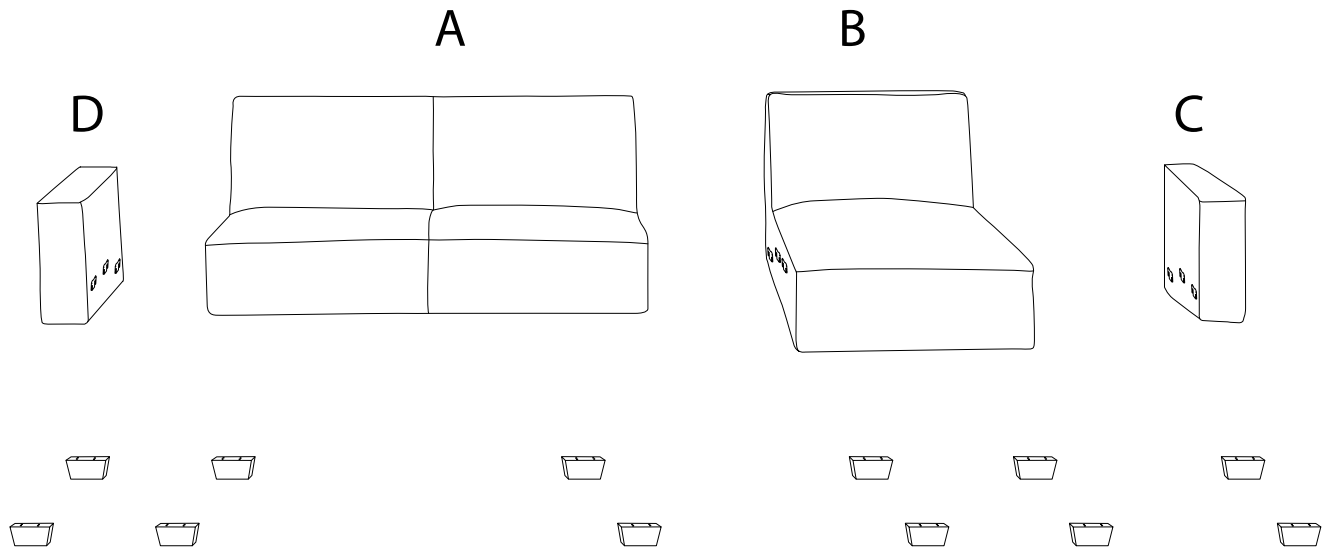
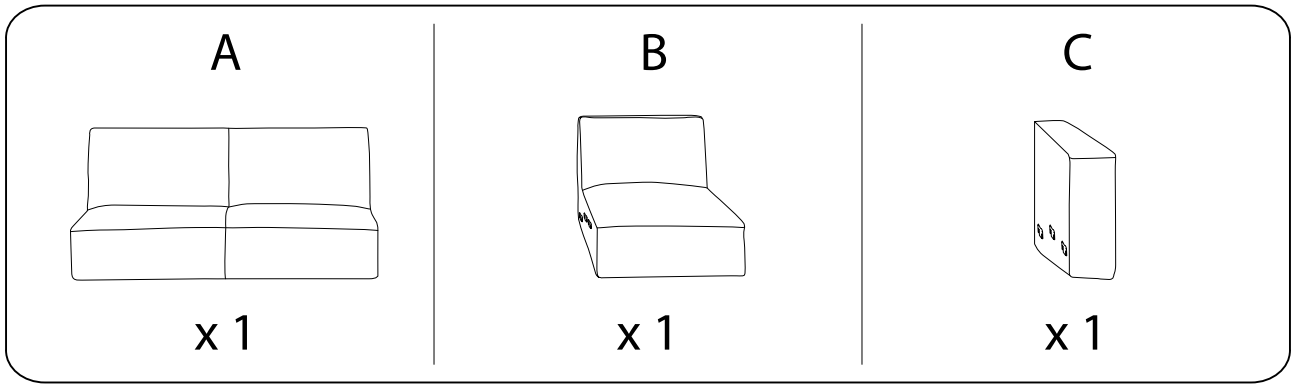


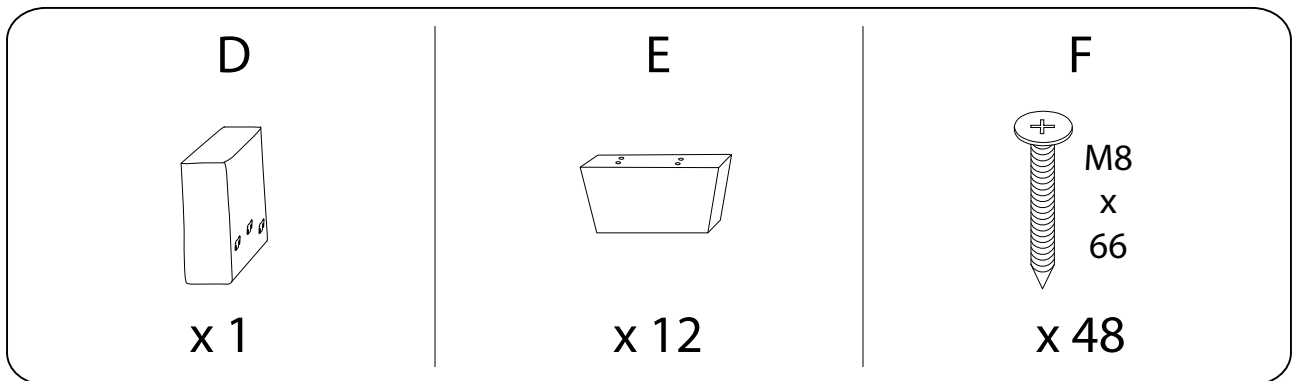
Assembly instructions for step 1/6:

- Tools: A screwdriver is shown as the correct tool, and a power drill is shown with a diagonal line through it, indicating it should not be used.
- Warning: A triangle with an exclamation mark indicates a warning.
- Time: A clock icon is shown with the number 30' below it, indicating a 30-minute assembly time.
- Personnel: A stick figure icon is shown with the number 1 below it, indicating that one person is required for assembly.

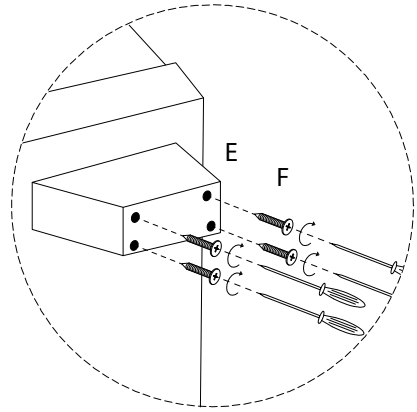
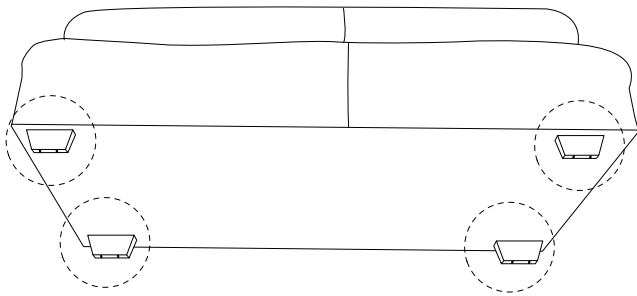
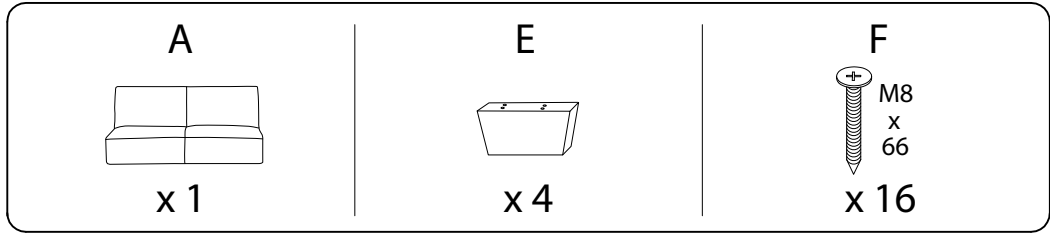
1/6



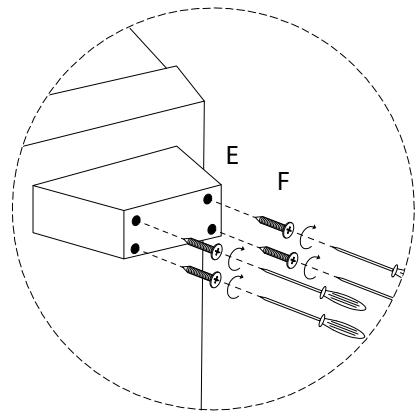
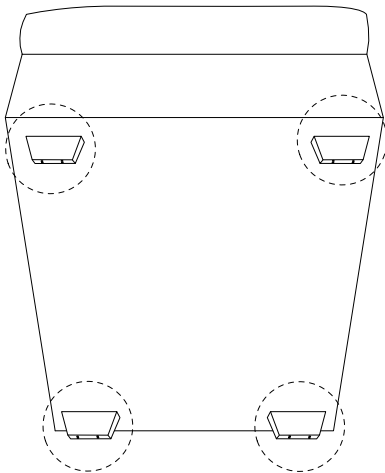
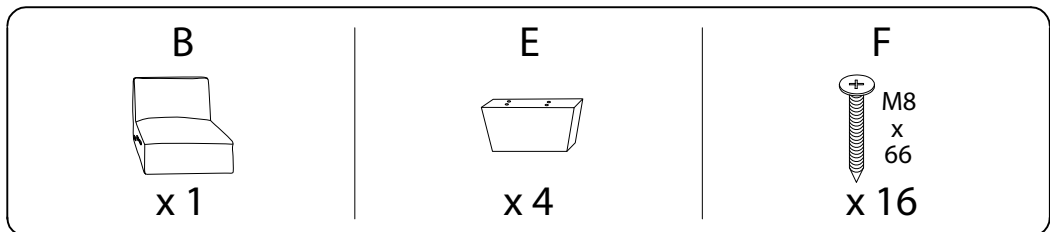
Ex 12



1

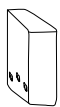


2



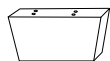
3

C



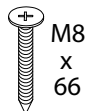
x 1

E

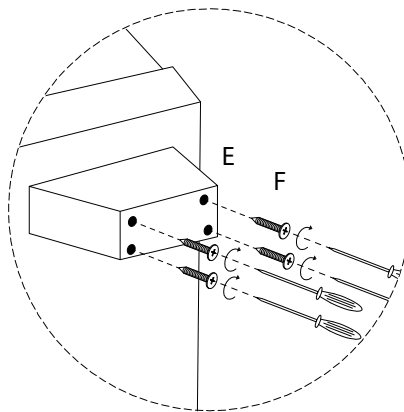
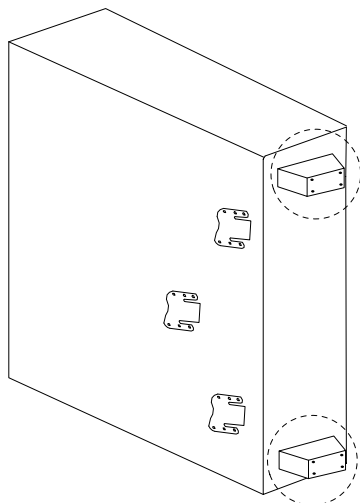


x 2

F

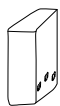


x 8



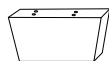
4

D



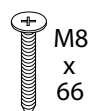
x 1

E

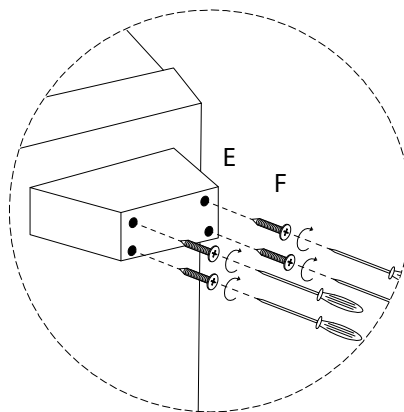
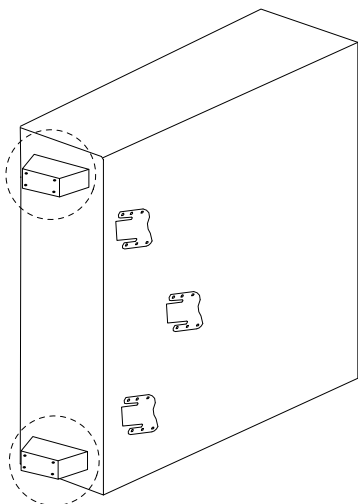


x 2

F



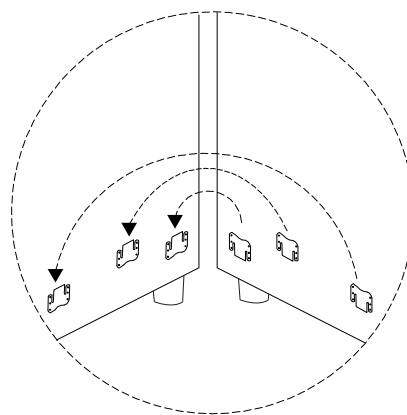
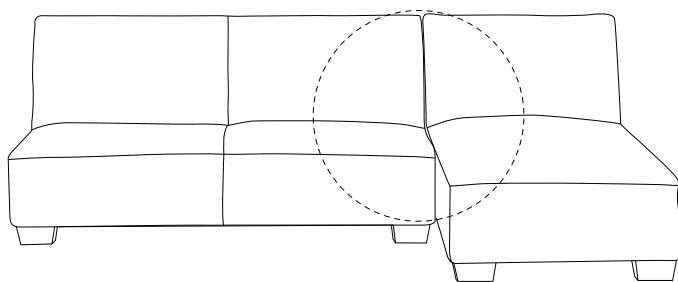
x 8



5

A

B



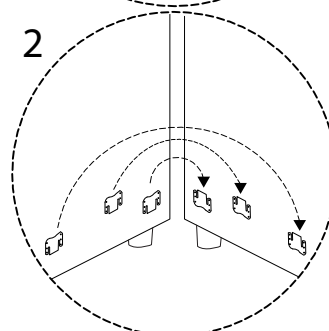
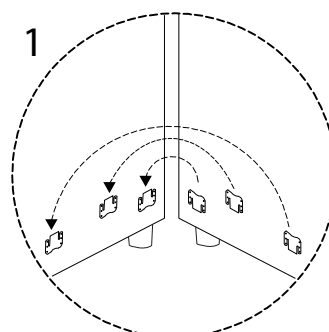
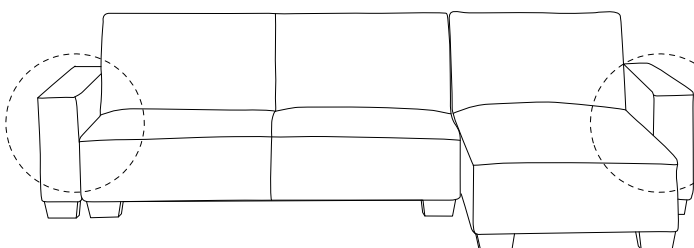
6

D

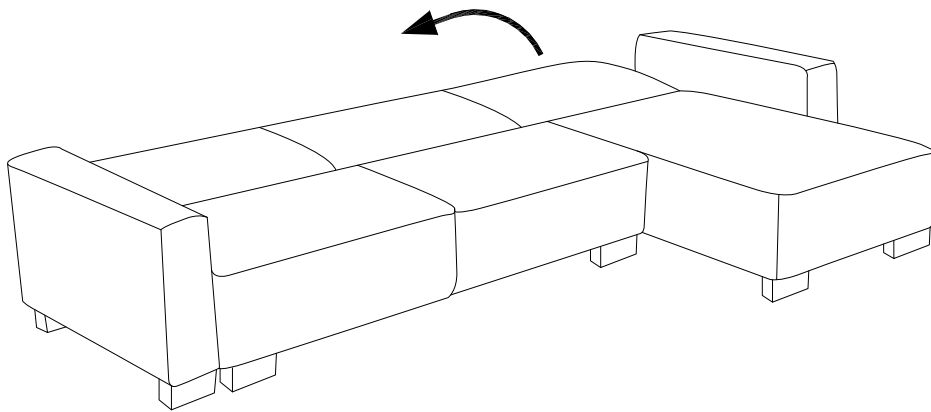
C

2

1



!



!

