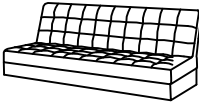

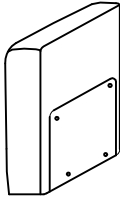
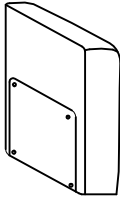
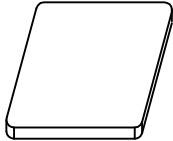
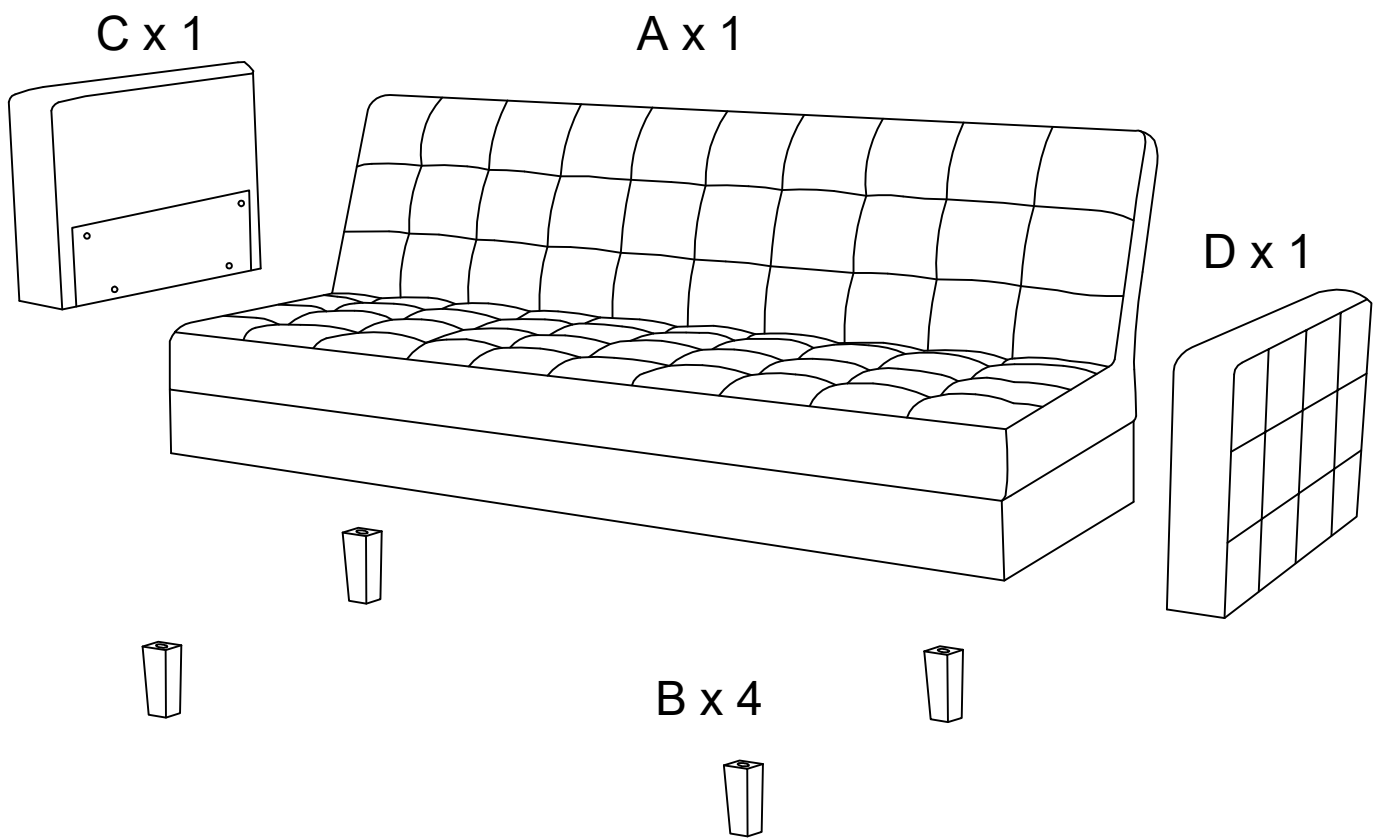
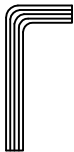
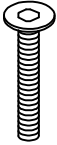
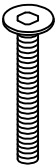
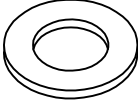
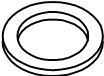


Diagram illustrating assembly instructions and safety warnings:

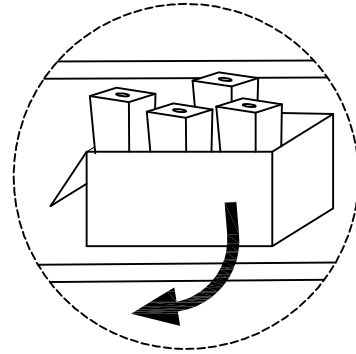
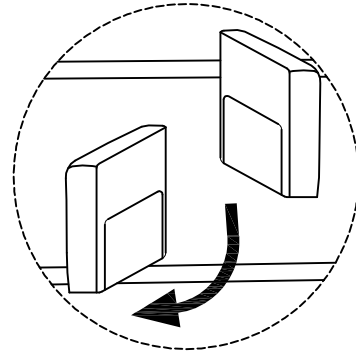
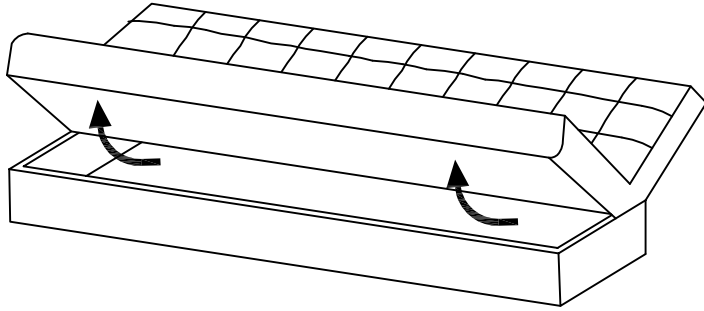
- Warning 1:** A triangle with an exclamation mark points to a box containing an L-shaped metal bracket and a power drill with a slash through it, indicating that a power drill should not be used for this step.
- Warning 2:** A triangle with an exclamation mark points to a box containing a rectangular block being placed on a mat and a diagram showing a block being cut with a saw, indicating that the block should not be cut.
- Time:** A clock icon is positioned above the number **30'**, indicating a 30-minute assembly time.
- Personnel:** A person icon is positioned above the number **1**, indicating that one person is required for assembly.

<b>A</b>	<b>B</b>	<b>C</b>	<b>D</b>	<b>E</b>
				
<b>x 1</b>	<b>x 4</b>	<b>x 1</b>	<b>x 1</b>	<b>x 4</b>

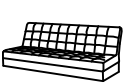
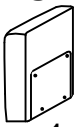


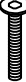
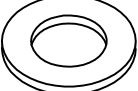


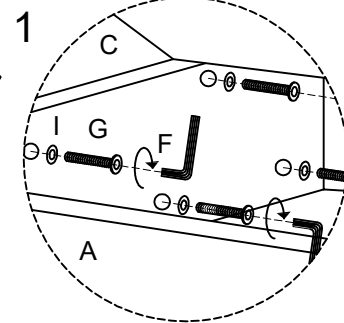
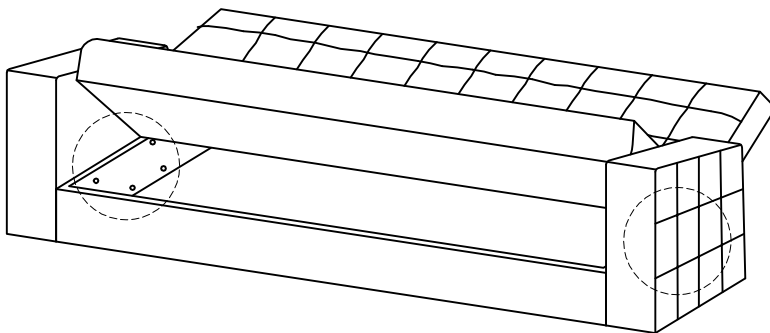
<b>F</b>	<b>G</b>	<b>H</b>	<b>I</b>	<b>J</b>
				
<b>x 1</b>	<b>x 8</b>	<b>x 4</b>	<b>x 8</b>	<b>x 4</b>

!

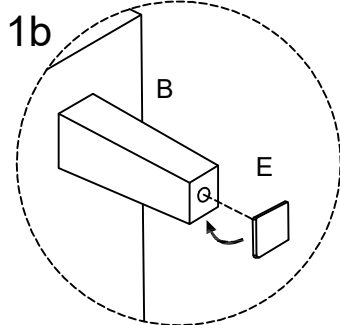
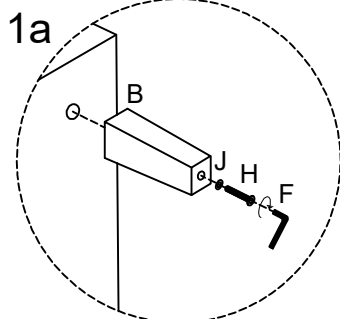
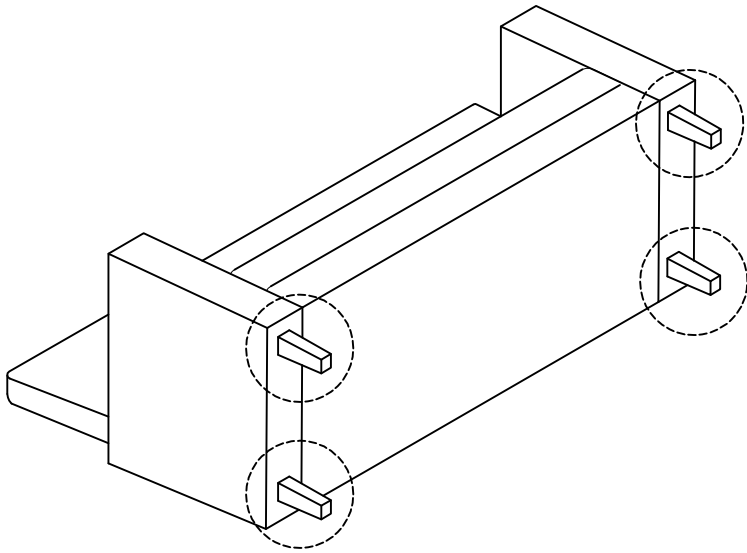
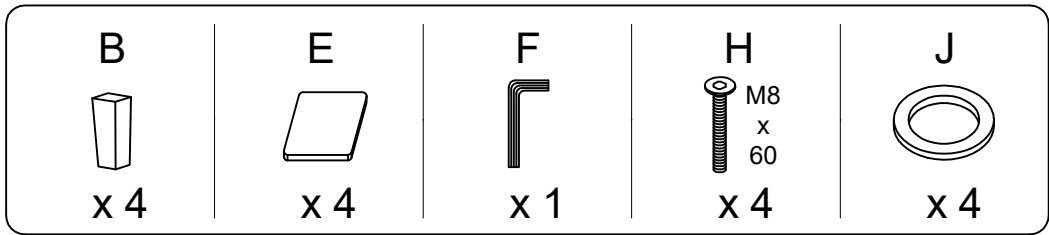


1

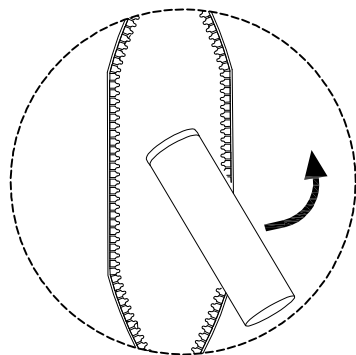
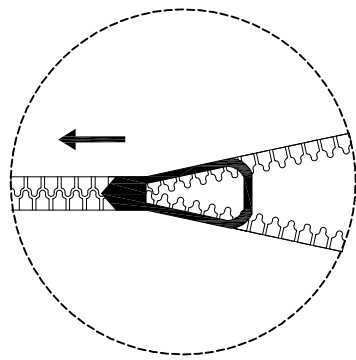
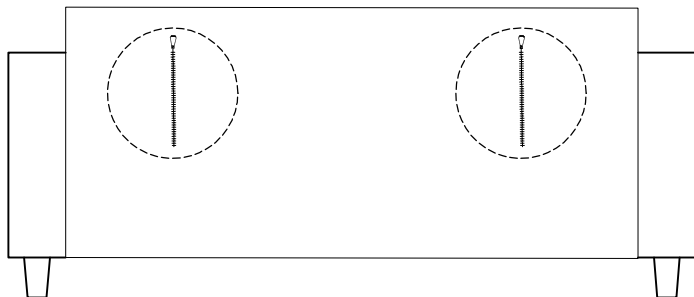
<b>A</b>  x 1	<b>C</b>  x 1	<b>D</b>  x 1	<b>F</b>  x 1	<b>G</b>  M8 x 45 x 8	<b>I</b>  x 8
--	--	--	---	---	--



2



3



4

