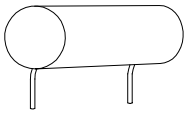
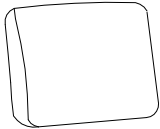
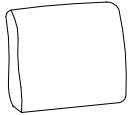
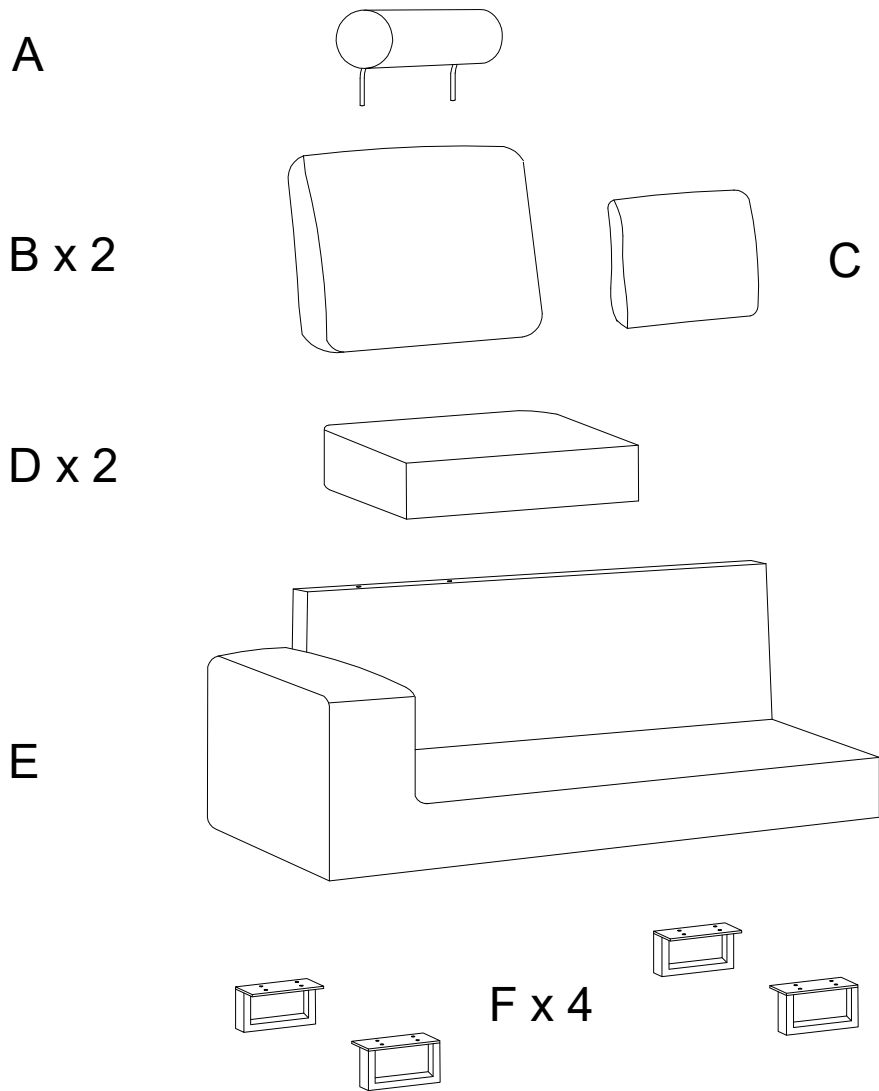



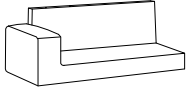
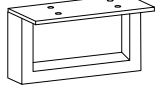
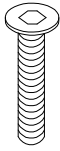
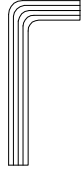
25'

2

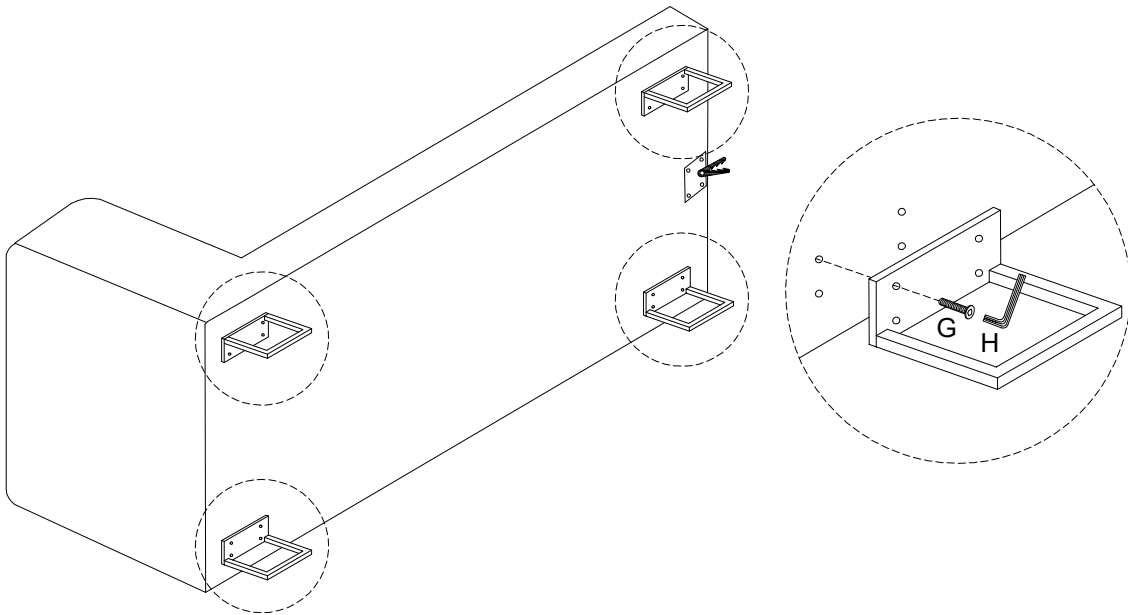
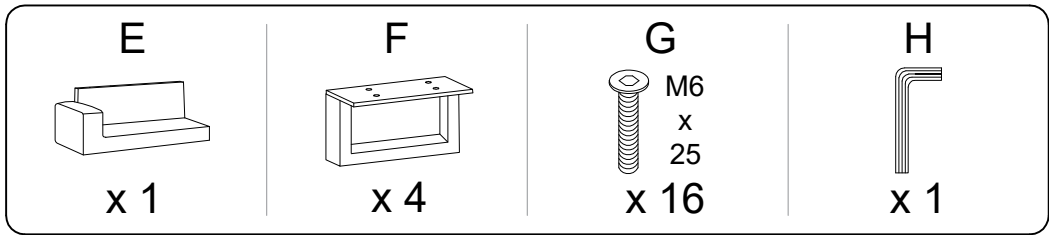
1/4

<p><b>A</b></p>  <p><b>x 1</b></p>	<p><b>B</b></p>  <p><b>x 2</b></p>	<p><b>C</b></p>  <p><b>x 1</b></p>
---	---	---

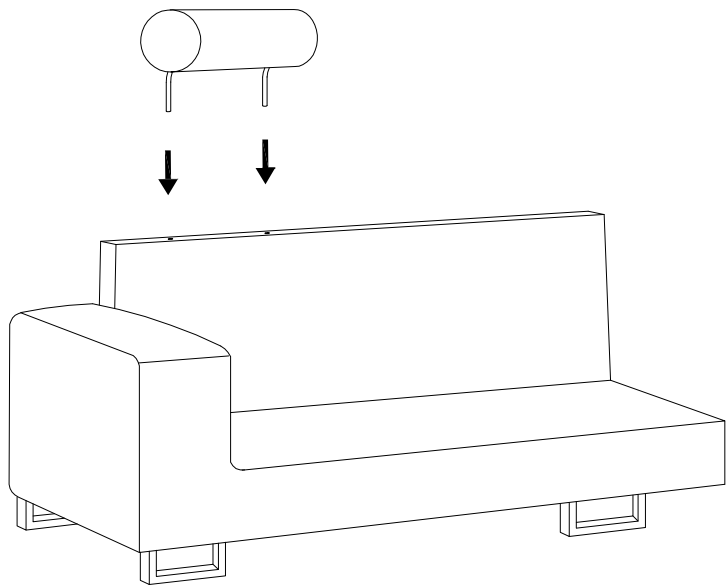
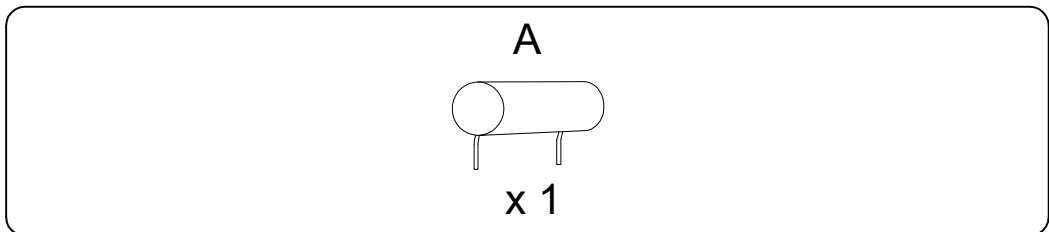


<p><b>D</b></p>  <p><b>x 2</b></p>	<p><b>E</b></p>  <p><b>x 1</b></p>	<p><b>F</b></p>  <p><b>x 4</b></p>	<p><b>G</b></p>  <p><b>M6 x 25</b></p> <p><b>x 16</b></p>	<p><b>H</b></p>  <p><b>x 1</b></p>
---	---	---	---	---

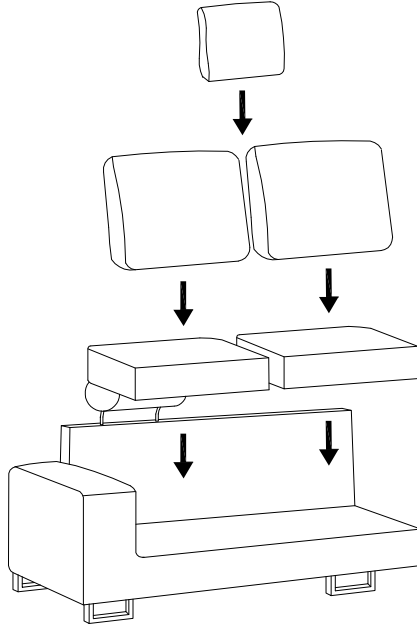
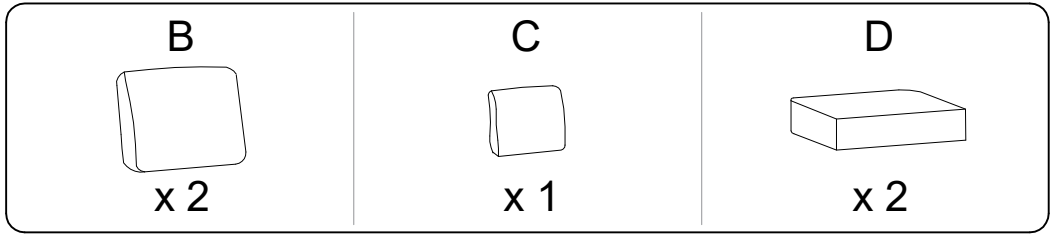
1



2



3



!

