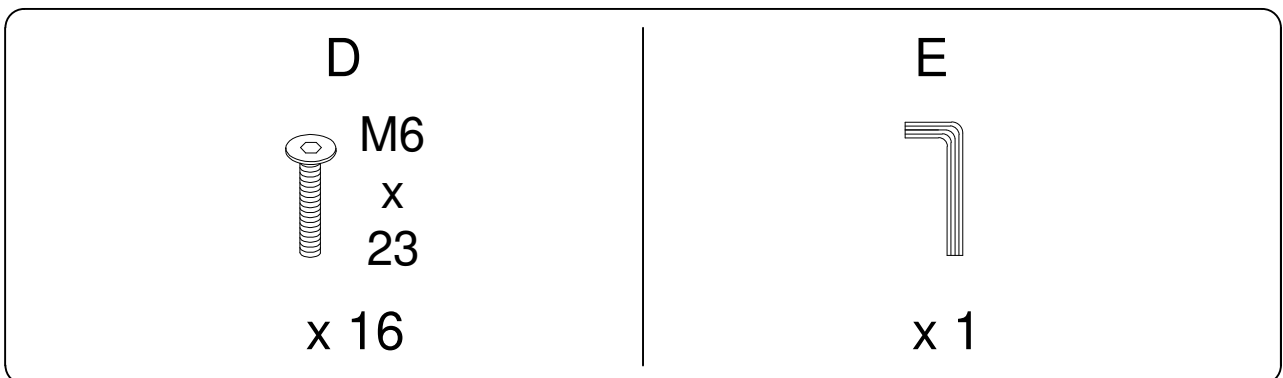
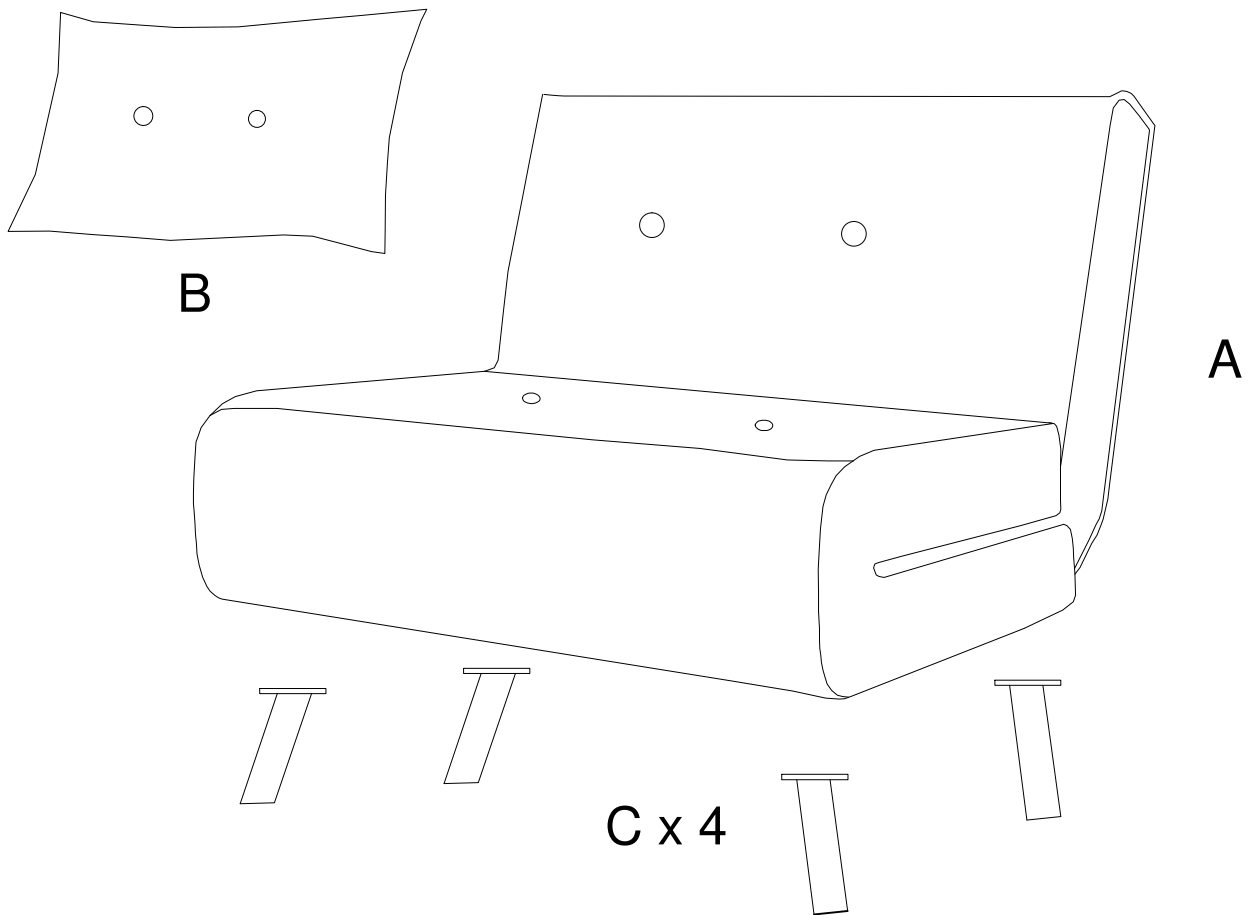
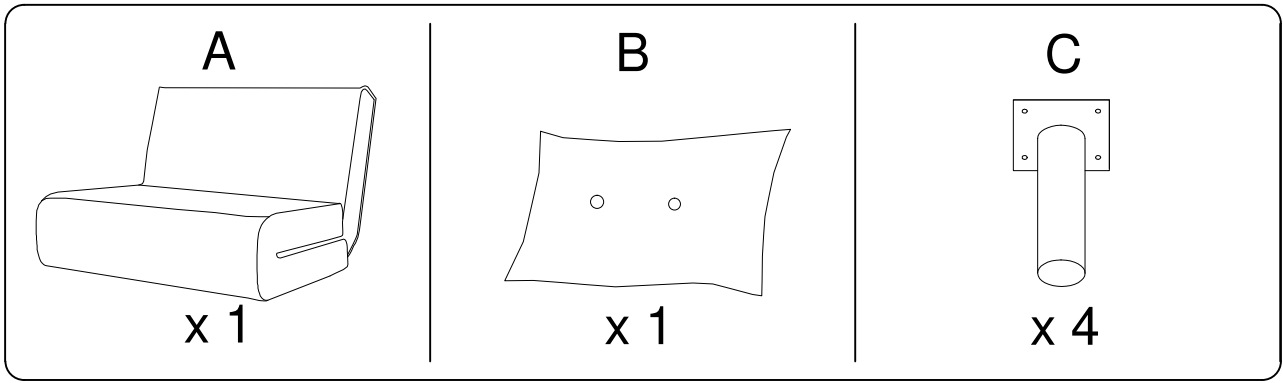


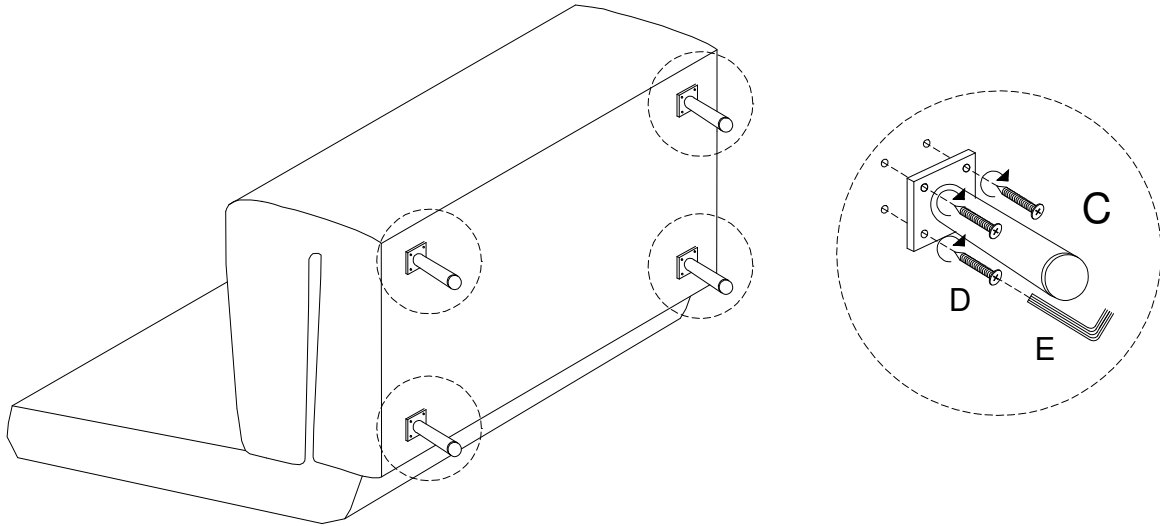
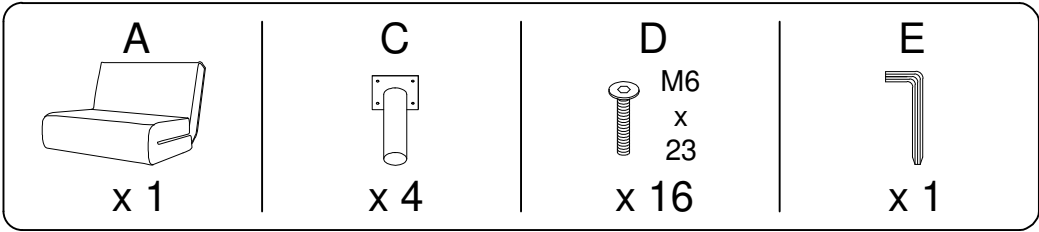
Diagram illustrating assembly steps and safety warnings:

- Step 1:** Shows an L-shaped metal bracket and a power drill with a slash through it, indicating that a drill should not be used. A warning triangle with an exclamation mark is positioned to the right.
- Step 2:** Shows a rectangular block being placed on a surface and a diagram of the block being secured with a screw. A warning triangle with an exclamation mark is positioned to the right.
- Time:** A clock icon is shown with the number **15'** below it, indicating a 15-minute assembly time.
- Person:** A stick figure icon is shown with the number **1** below it, indicating that one person is required for assembly.

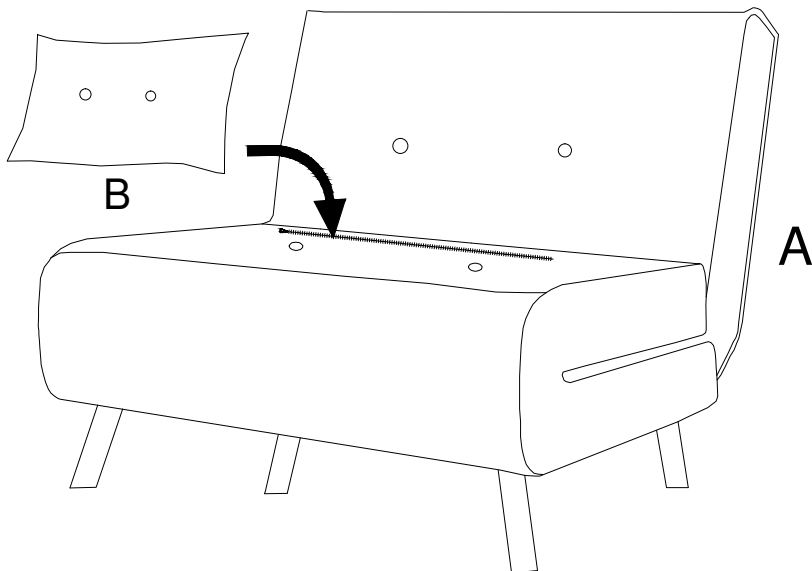
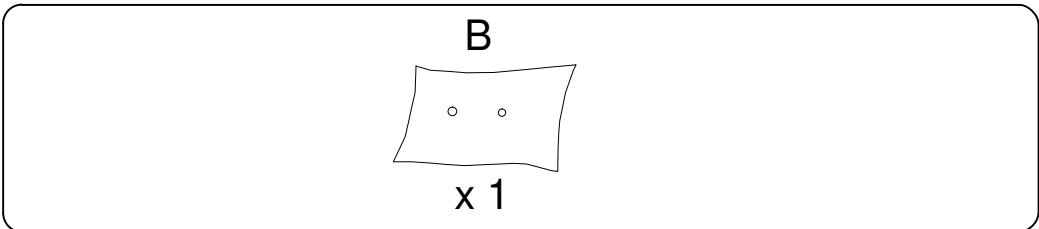
1/5



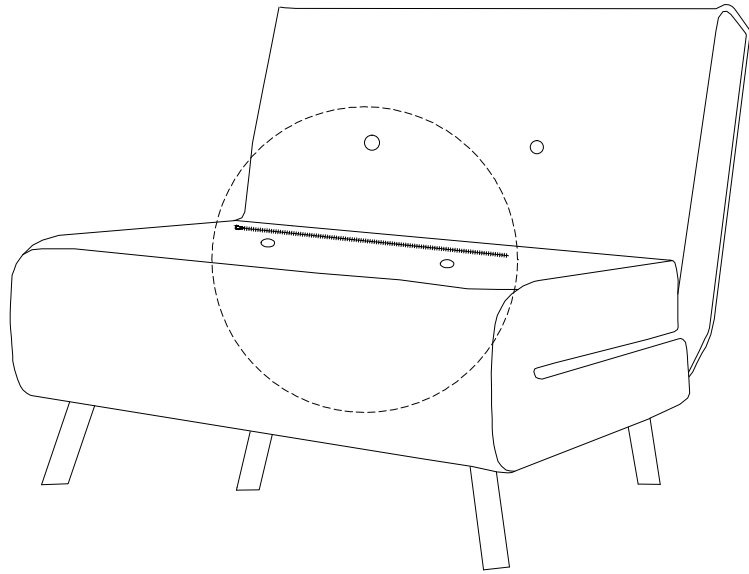
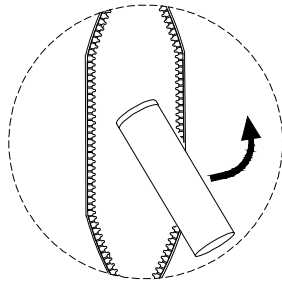
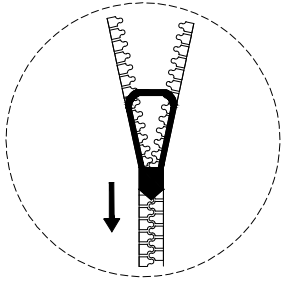
1



2



3



4

