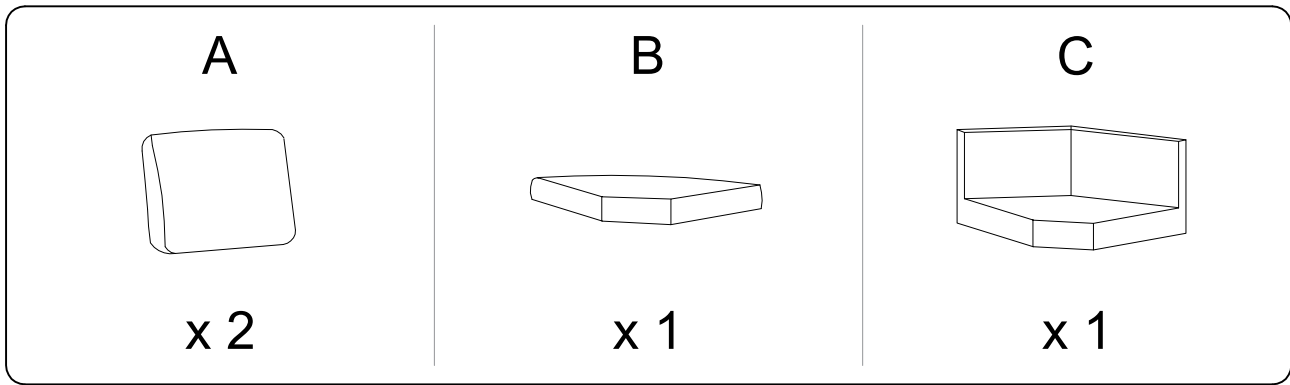


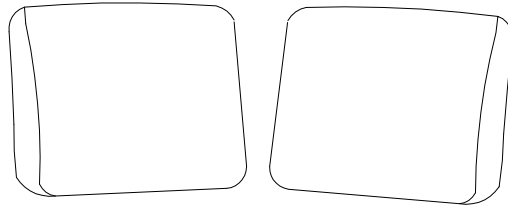
Assembly instructions for step 1/4:

- Tools:** A circle containing an L-shaped Allen key and a screwdriver. A power drill is shown with a diagonal line through it, indicating it should not be used.
- Warning:** A triangle with an exclamation mark.
- Time:** A clock icon with the number 25' below it, indicating a 25-minute assembly time.
- Personnel:** A stick figure icon with the number 2 below it, indicating that two people are required for assembly.

1/4



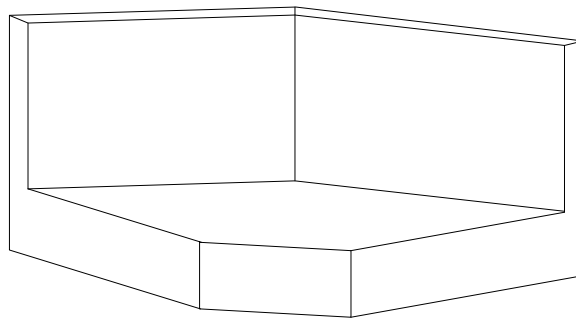
A x 2



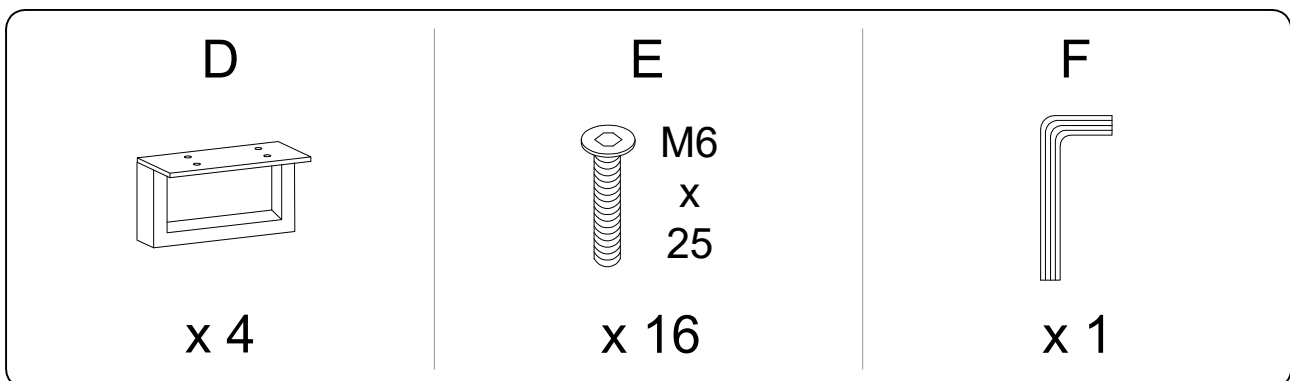
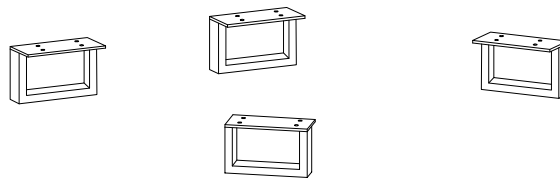
B



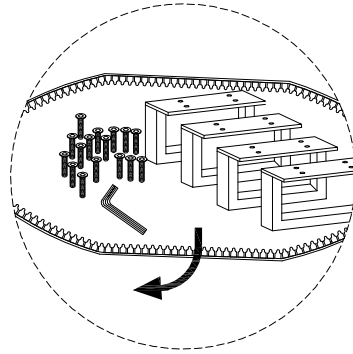
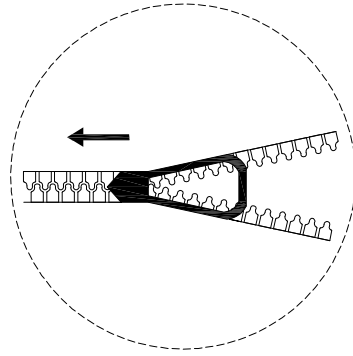
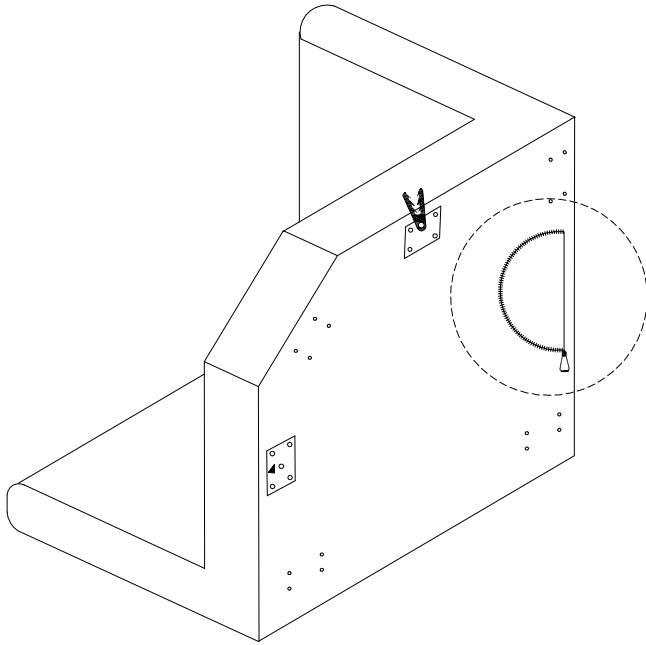
C



D x 4

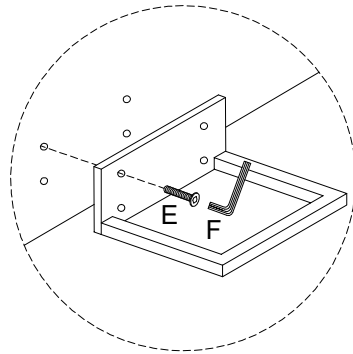
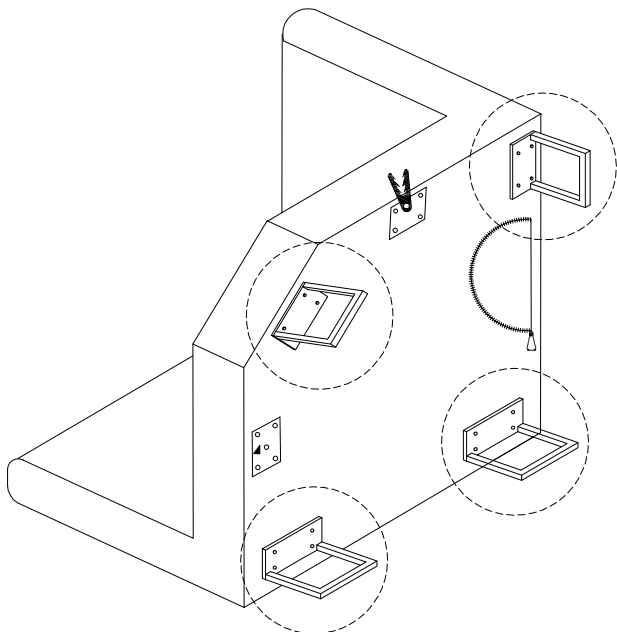


!

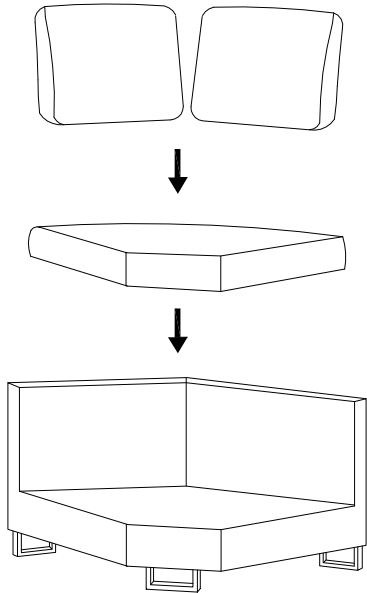
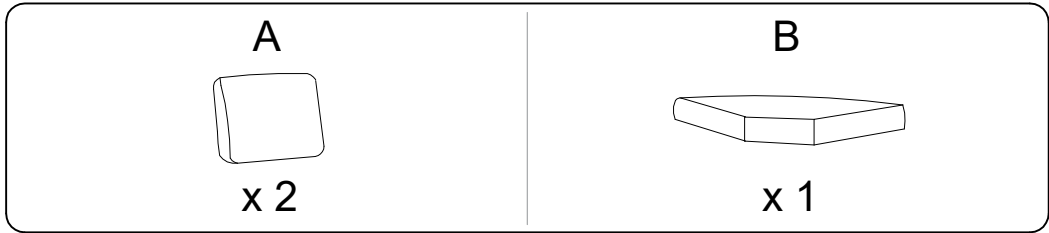


1

C x 1	D x 4	E M6 x 25 x 16	F x 1
---------------------	---------------------	------------------------------------	---------------------



2



!

