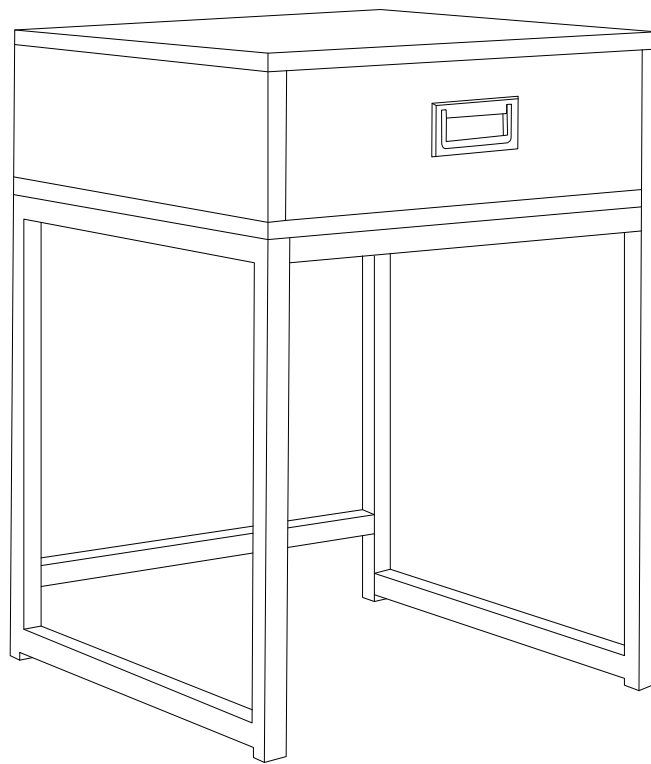


LARGO



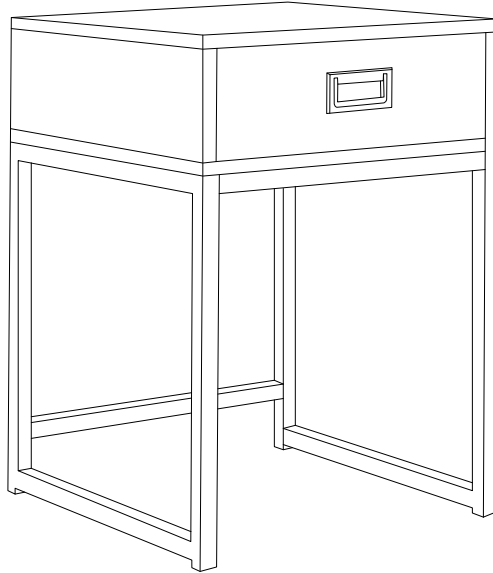
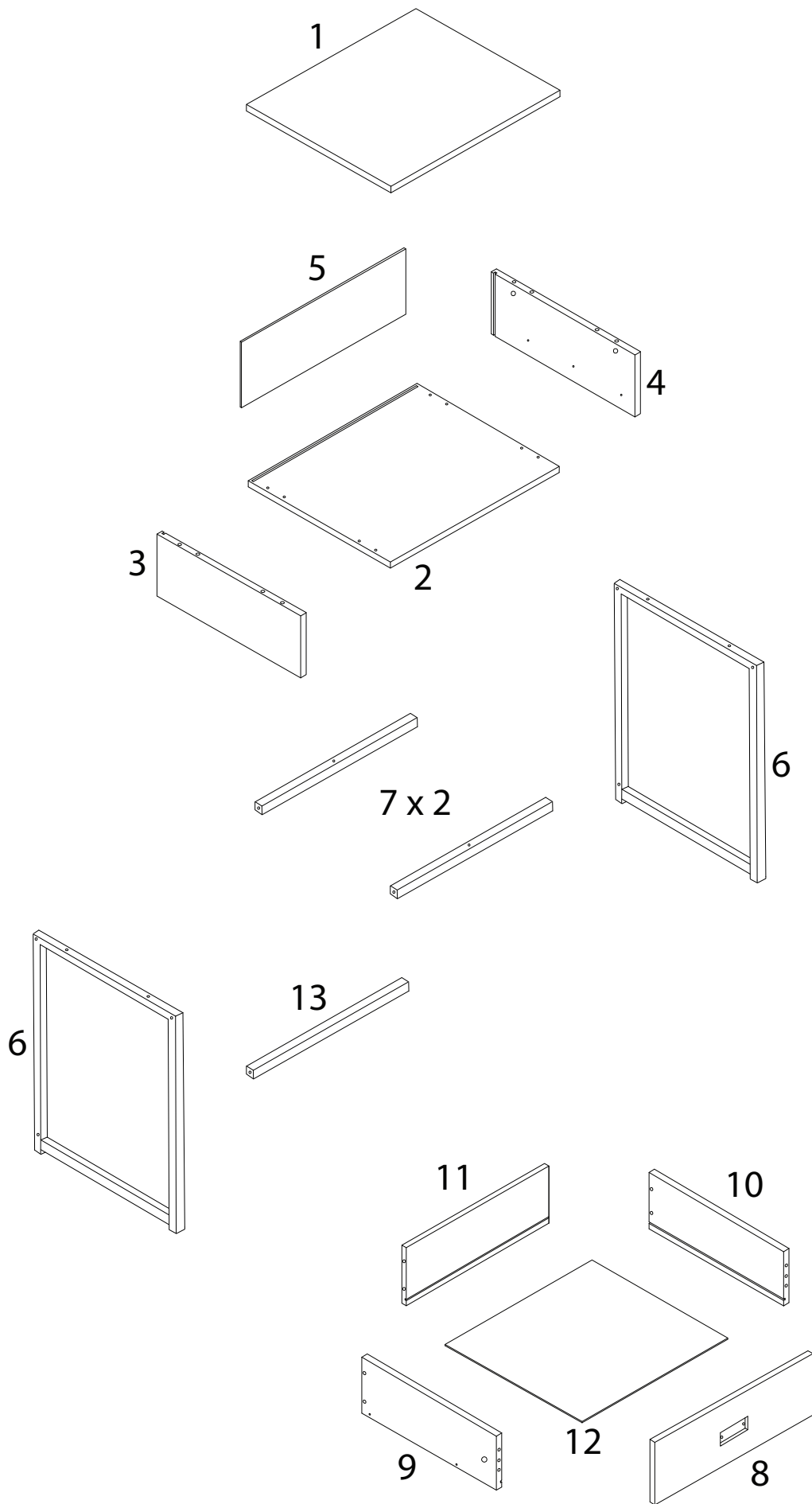
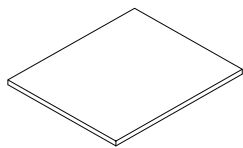


Diagram illustrating assembly instructions and safety warnings:

- Top Section:** A box containing a screwdriver icon and a crossed-out power drill icon, with a warning triangle (exclamation mark) to the right. Below this is a clock icon and the text "45'".
- Bottom Section:** A box containing a block of foam on a mat icon and a crossed-out block of foam icon, with a warning triangle (exclamation mark) to the right. Below this is a person icon and the text "1".

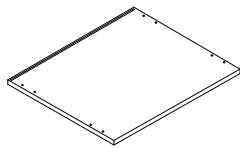


1



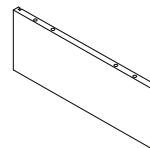
x 1

2



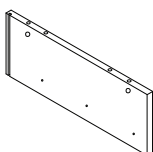
x 1

3



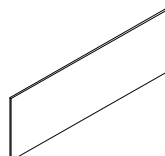
x 1

4



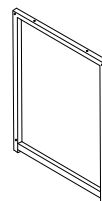
x 1

5



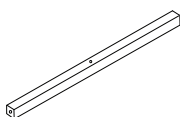
x 1

6



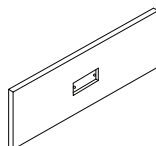
x 2

7



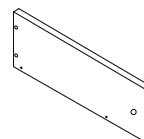
x 2

8



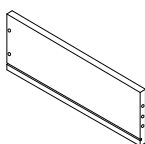
x 1

9



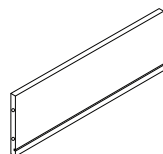
x 1

10



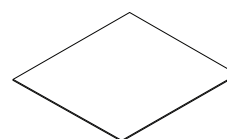
x 1

11



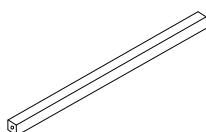
x 1

12

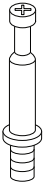
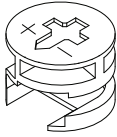
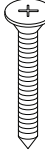
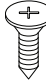
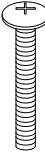
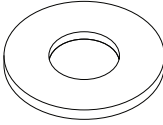
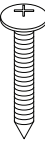
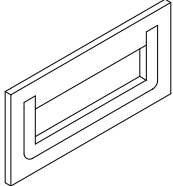
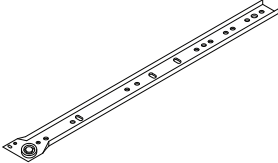
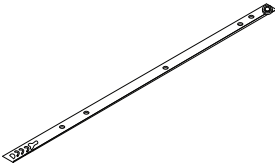
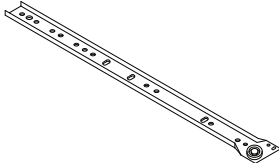
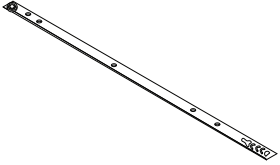
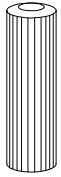

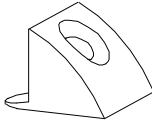



x 1

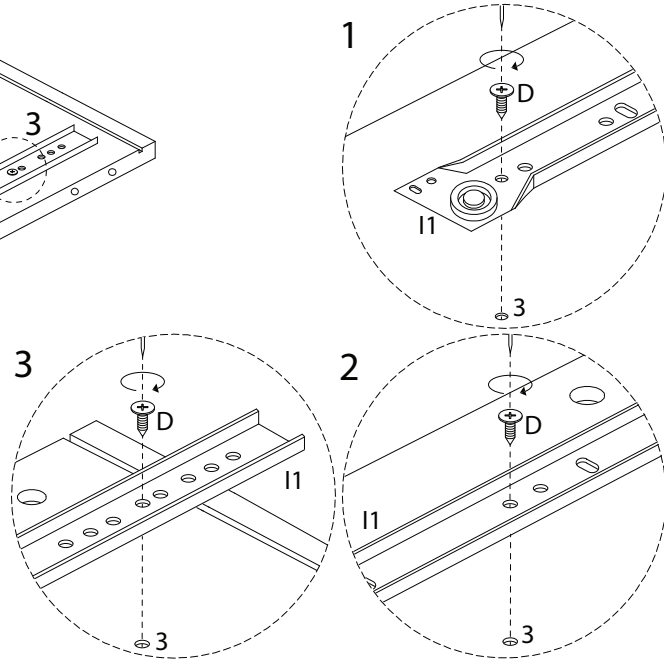
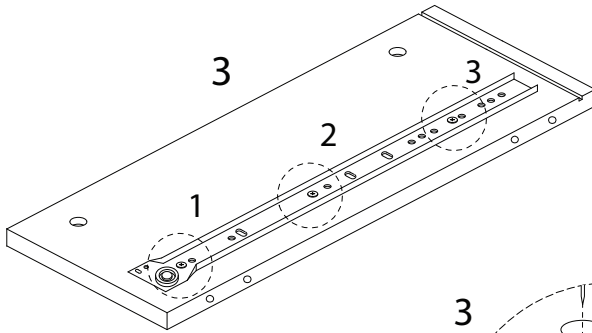
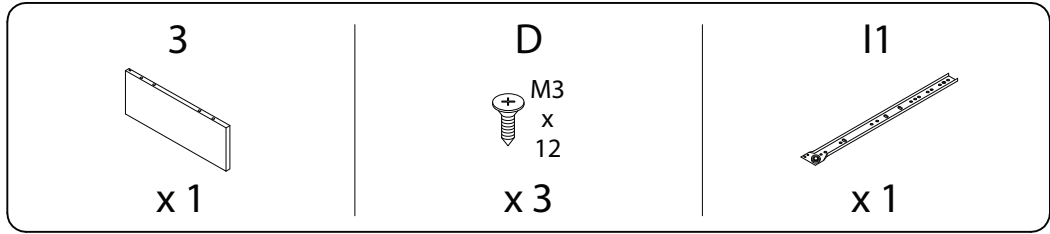
13



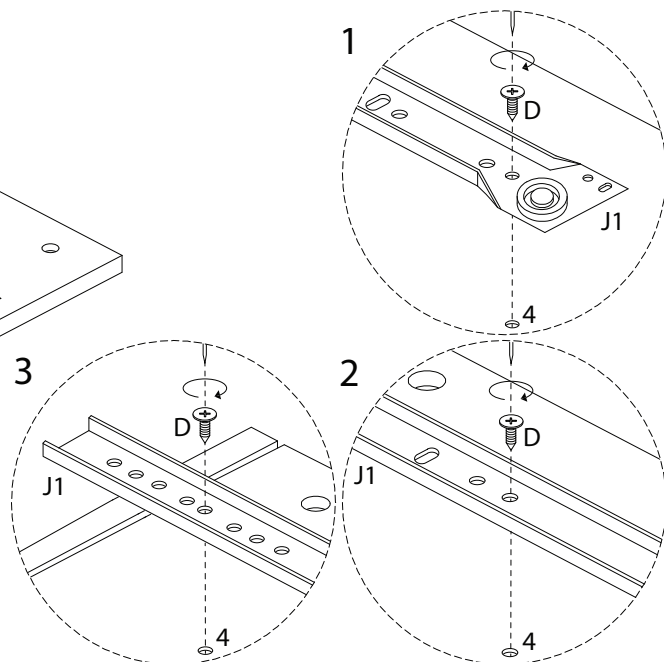
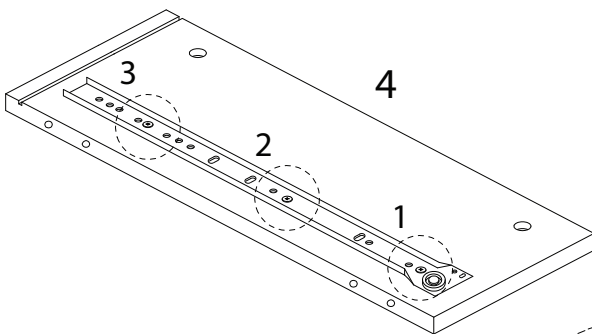
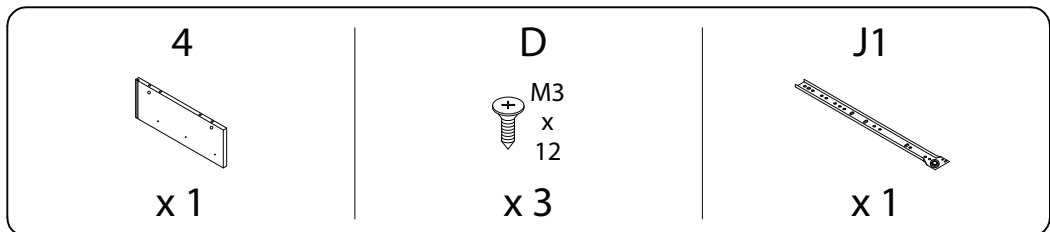
x 1

<p>A</p>  <p>x 6</p>	<p>B</p>  <p>x 6</p>	<p>C</p>  <p>M4 x 35</p> <p>x 8</p>	<p>D</p>  <p>M3 x 12</p> <p>x 10</p>
<p>E</p>  <p>M6 x 40</p> <p>x 6</p>	<p>F</p>  <p>x 6</p>	<p>G</p>  <p>M4 x 30</p> <p>x 6</p>	<p>H</p>  <p>x 1</p>
<p>I1</p>  <p>x 1</p>	<p>I2</p>  <p>x 1</p>	<p>J1</p>  <p>x 1</p>	<p>J2</p>  <p>x 1</p>
<p>K</p>  <p>x 8</p>	<p>L</p>  <p>M4 x 14</p> <p>x 2</p>	<p>N</p>  <p>x 4</p>	<p>O</p>  <p>M3 x 14</p> <p>x 4</p>

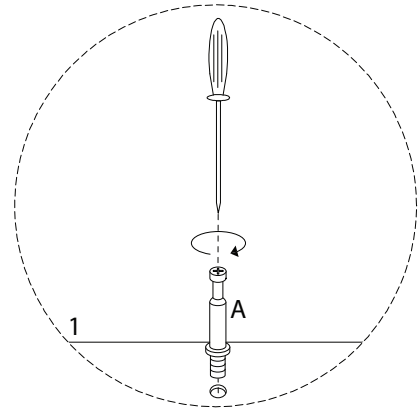
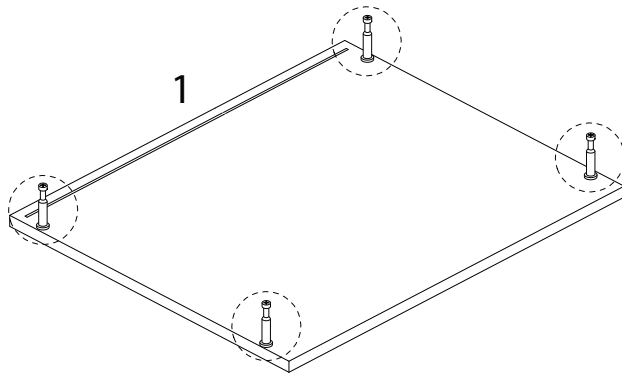
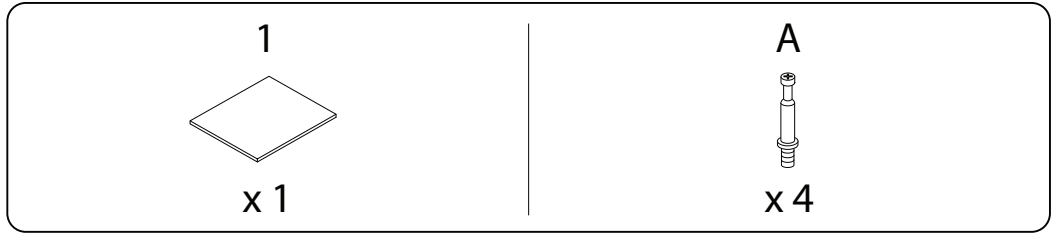
1



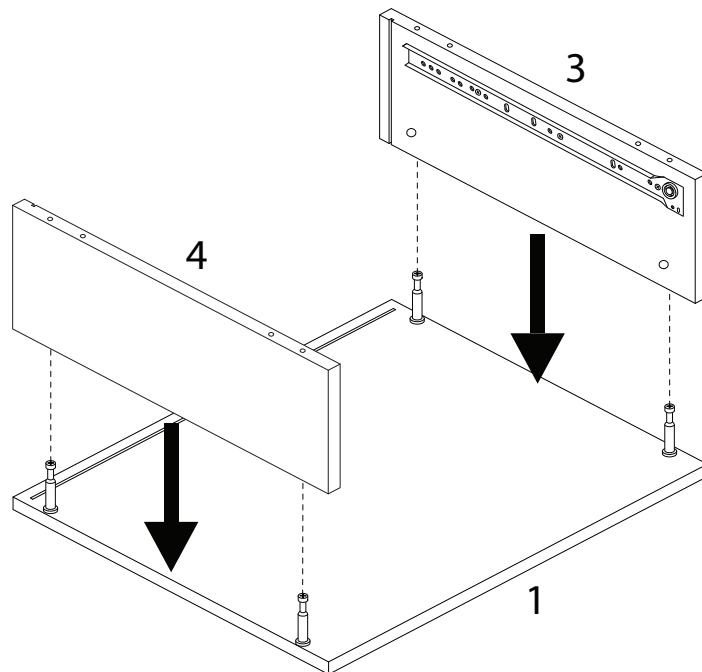
2



3



4

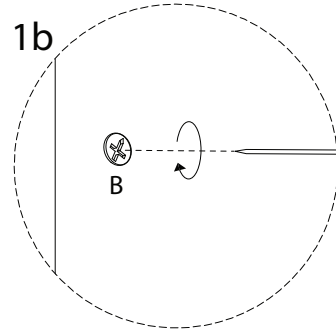
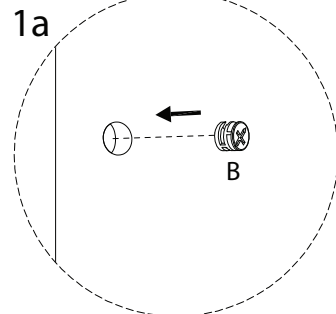
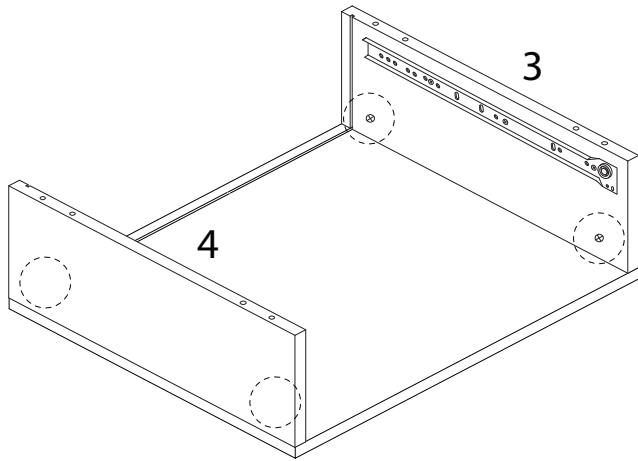


5

B

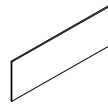


x 4

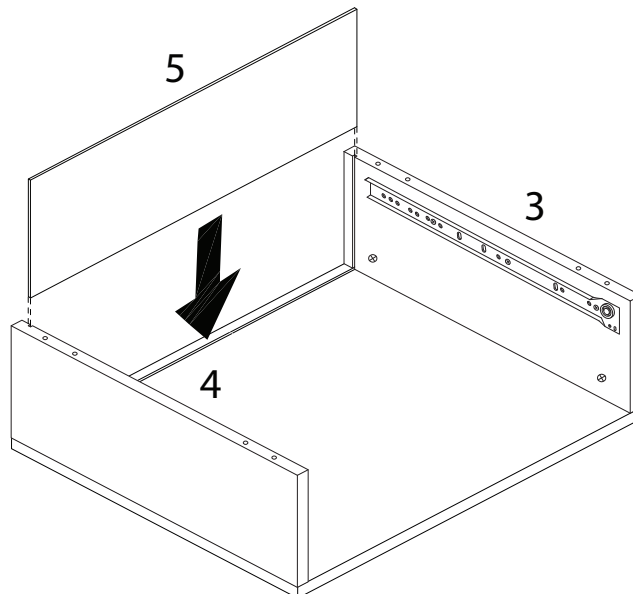


6

5

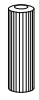


x 1

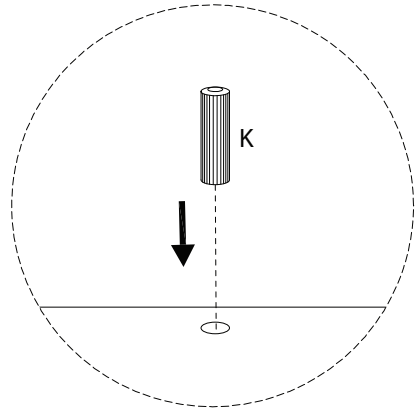
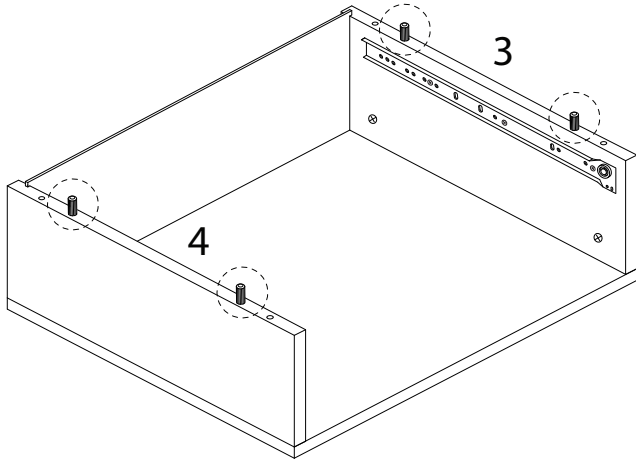


7

K

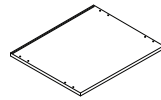


x 4

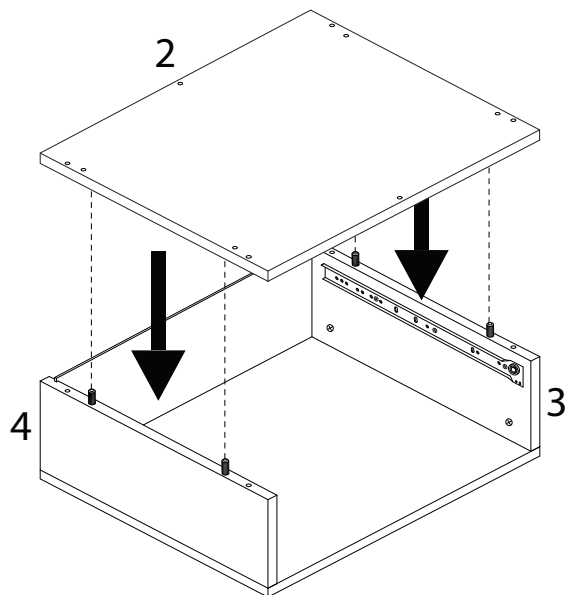


8

2

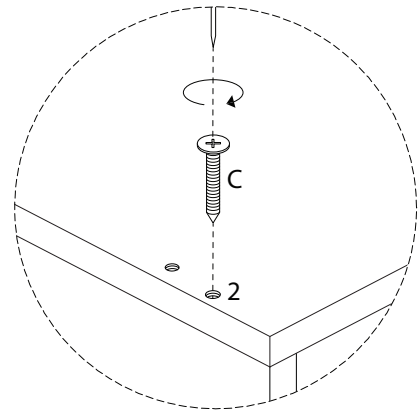
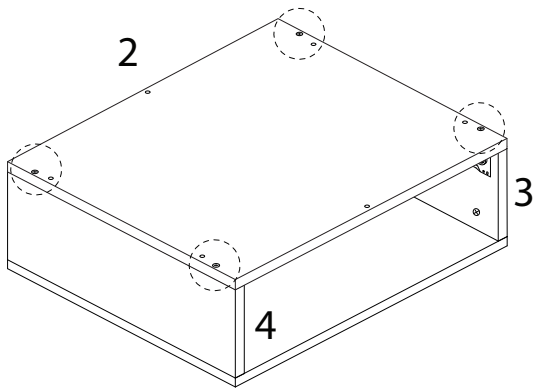


x 1



9

C
M4
x
35
x 4

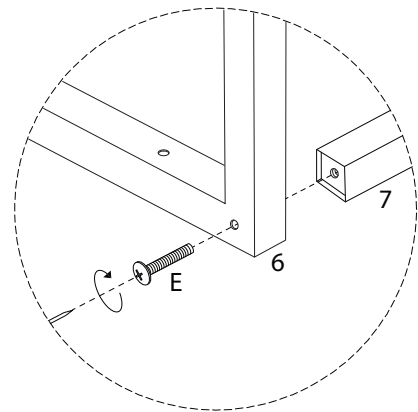
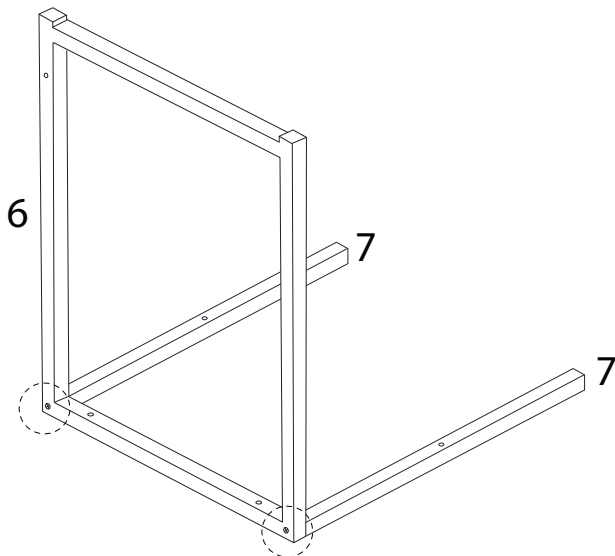


10

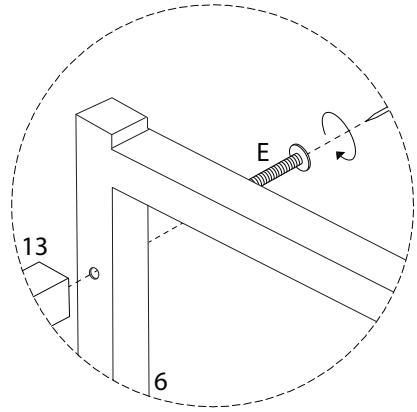
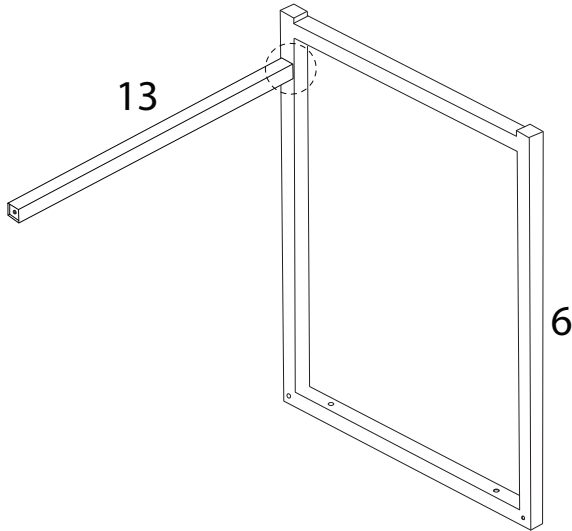
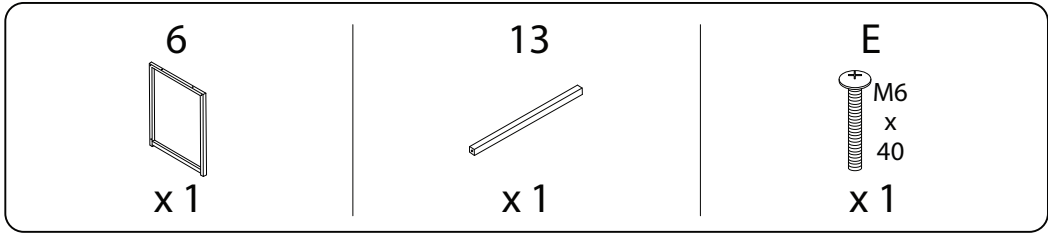
6
x 1

7
x 2

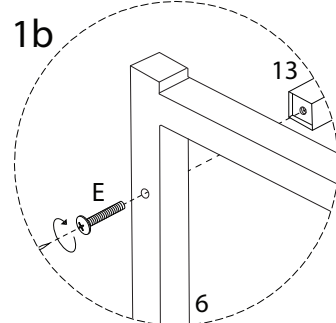
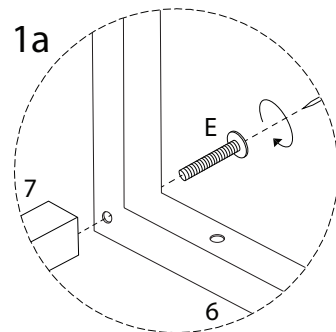
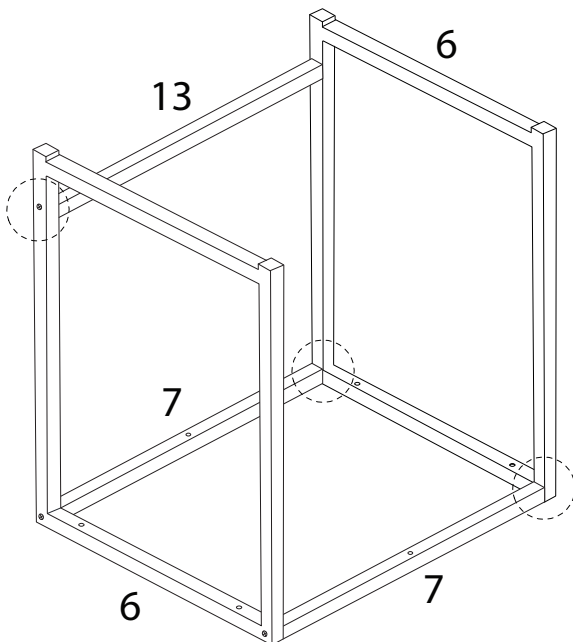
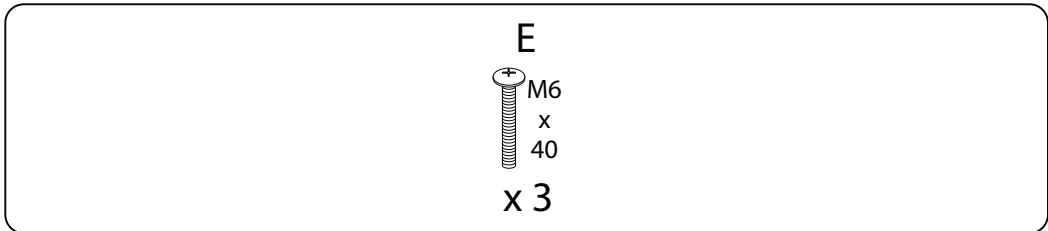
E
M6
x
40
x 2



11



12



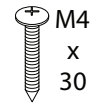
13

F

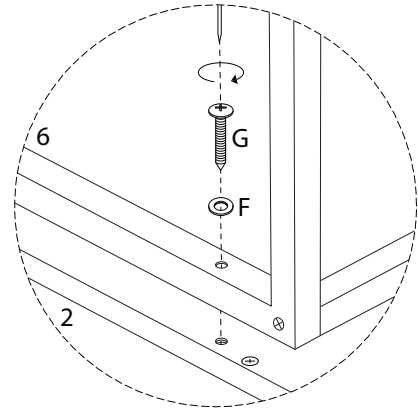
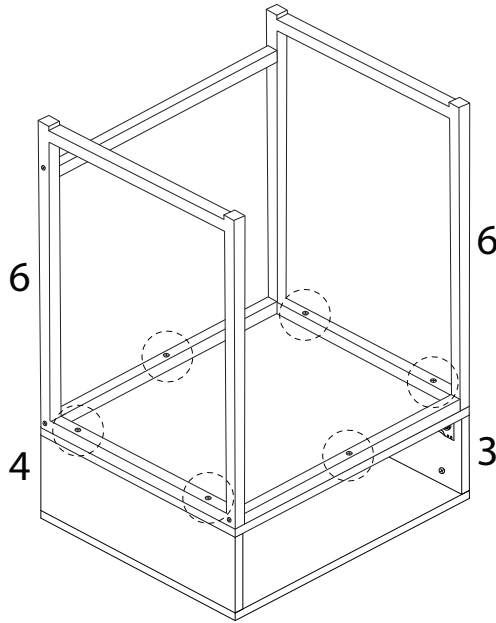


x 6

G

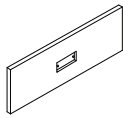


x 6



14

8

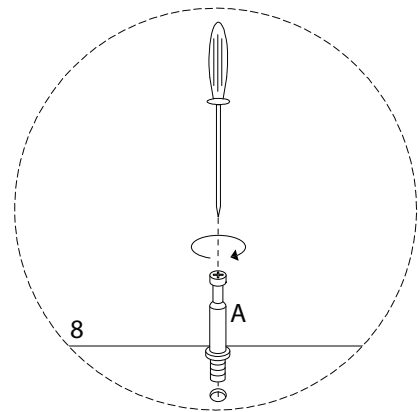
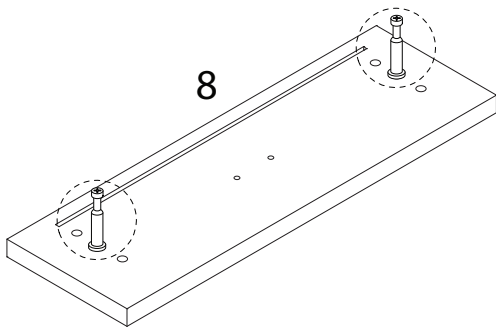


x 1

A



x 2

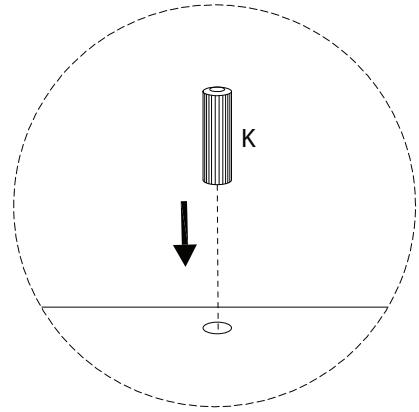
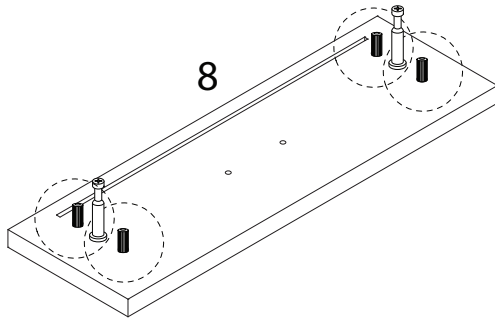


15

K

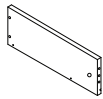


x 4



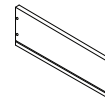
16

9

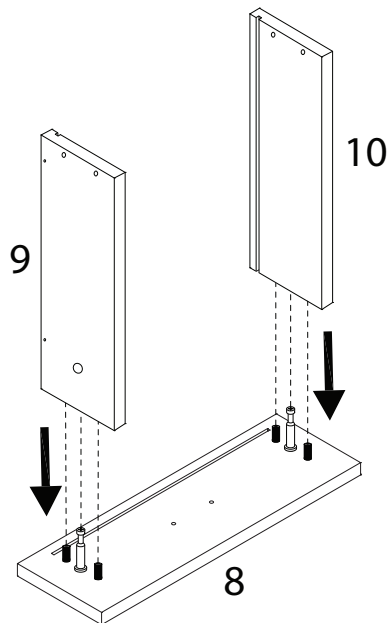


x 1

10



x 1

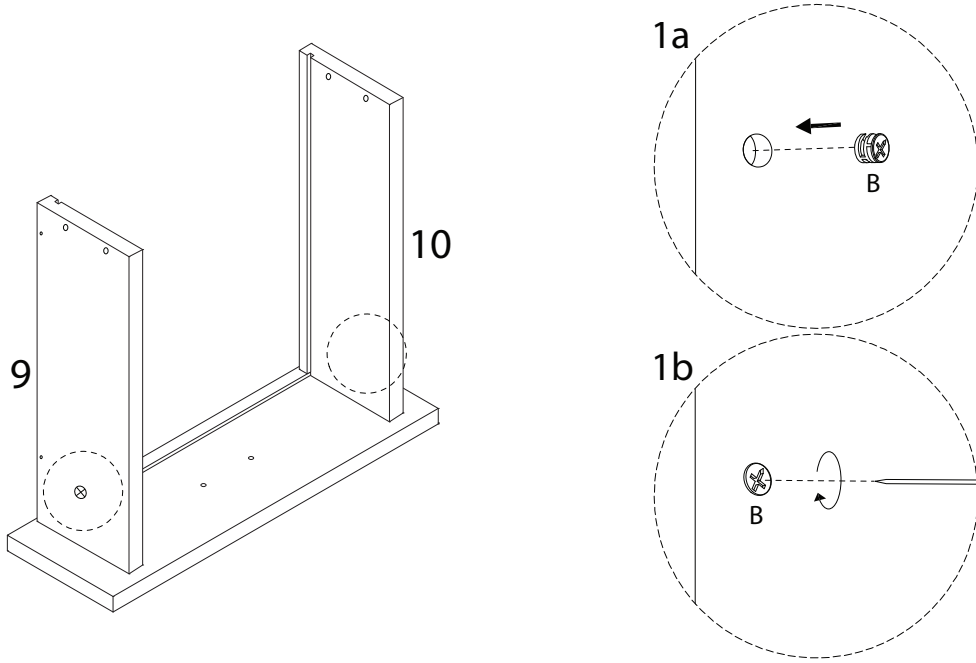


15

B

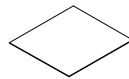


x 2

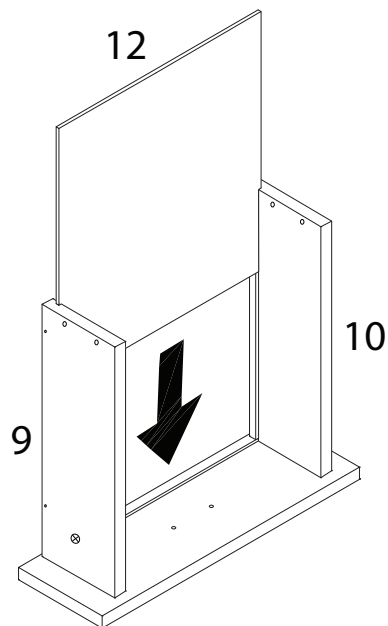


16

12

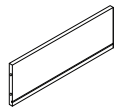


x 1



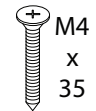
17

11

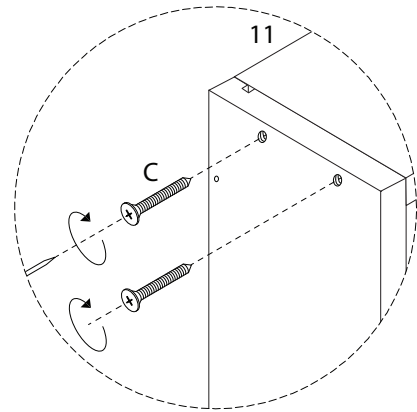
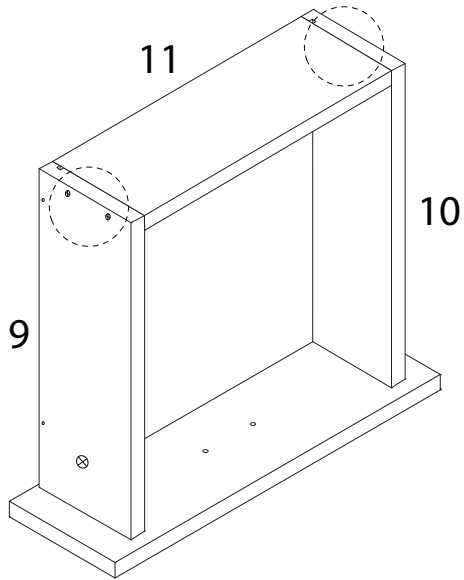


x 1

C

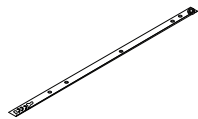


x 4



18

I2

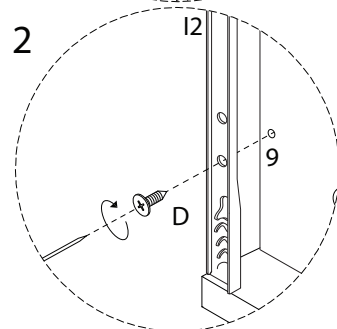
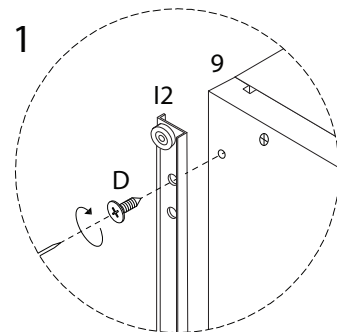
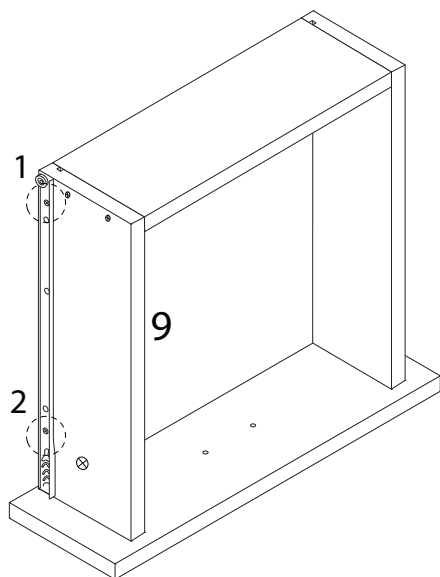


x 1

D

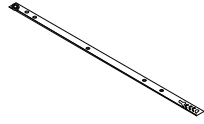


x 2



19

J2

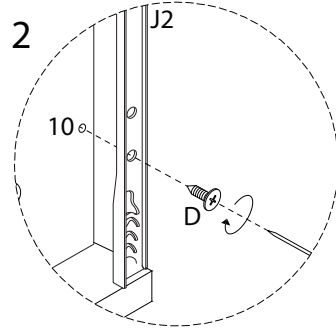
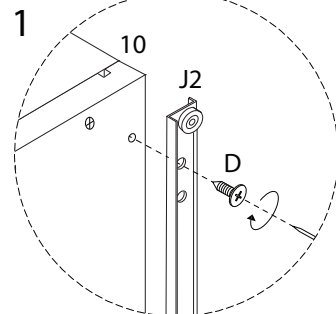
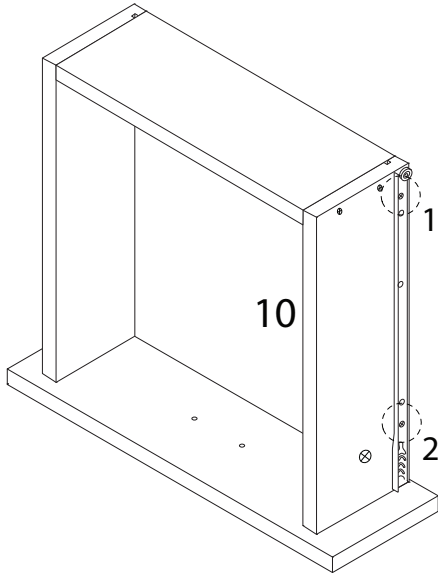


x 1

D

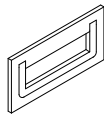


x 2



20

H

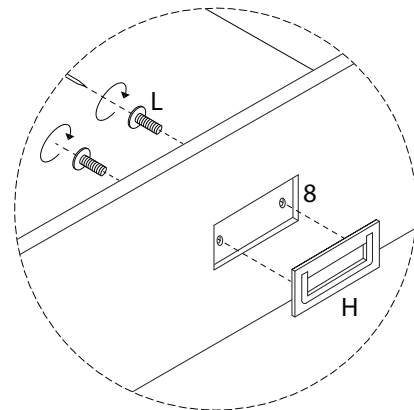
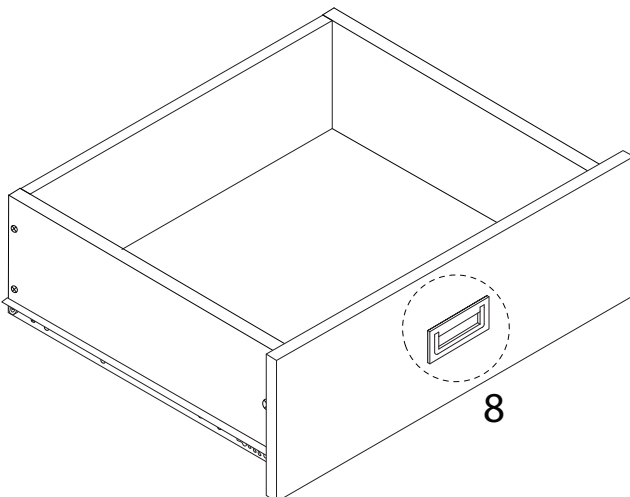


x 1

L

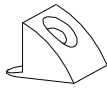


x 2



21

N

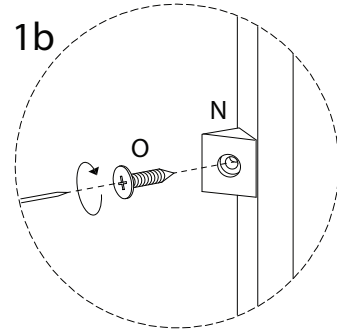
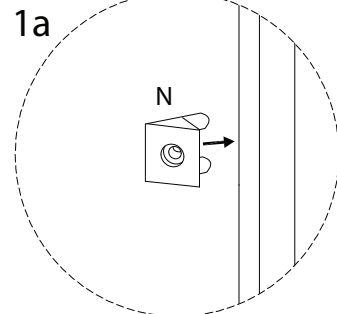
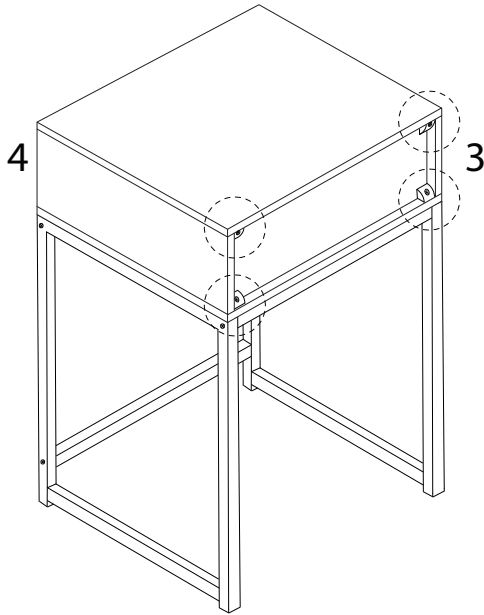


x 4

O



x 4



22

