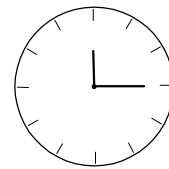
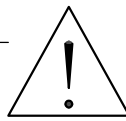
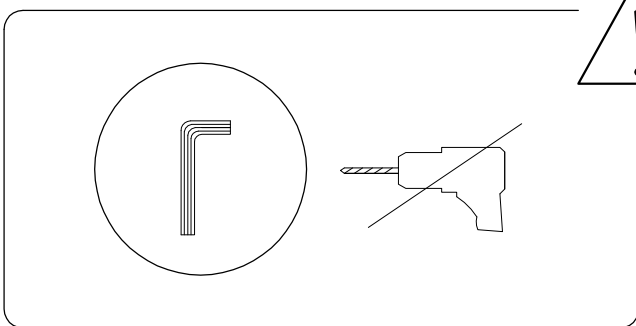
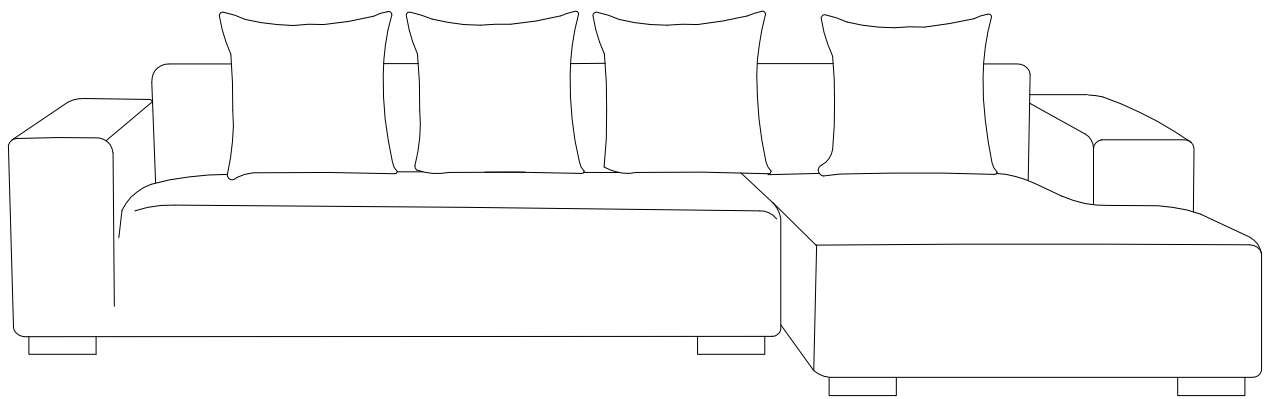
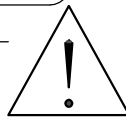
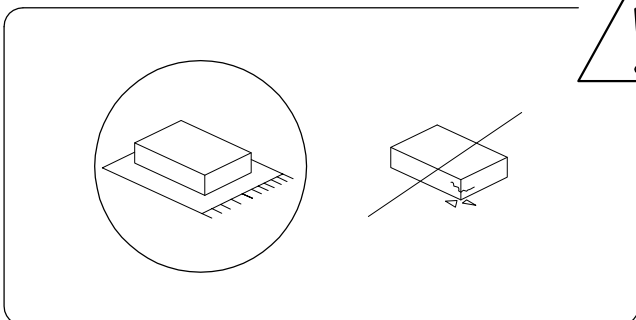


B

A



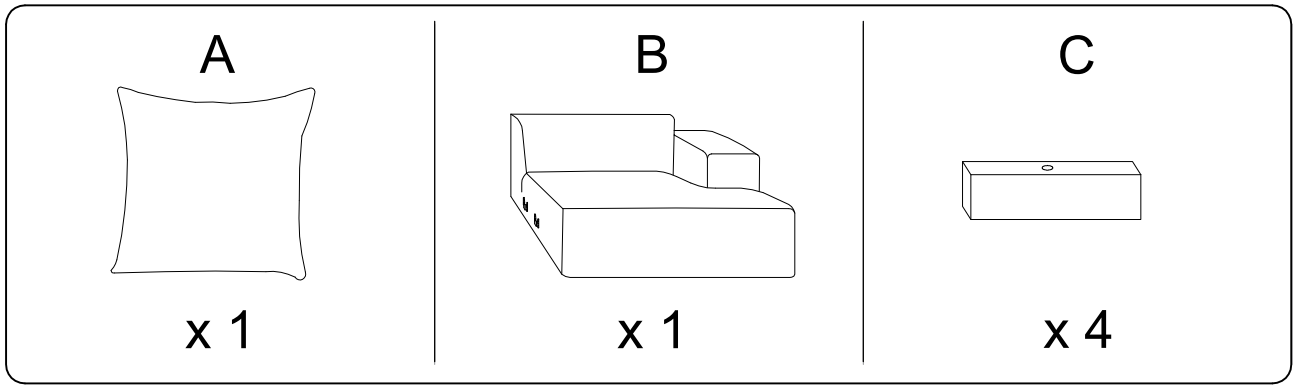
15'



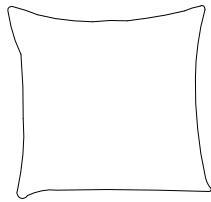
2

1/7

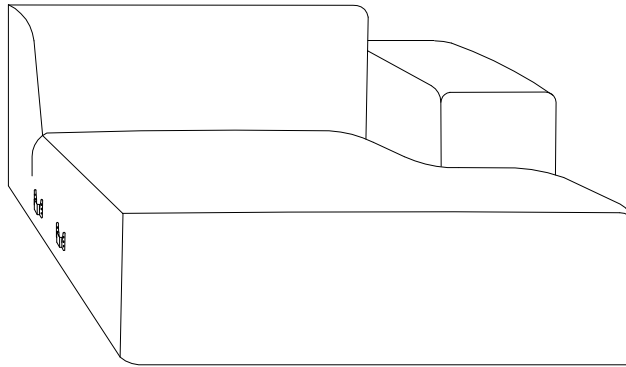
# A



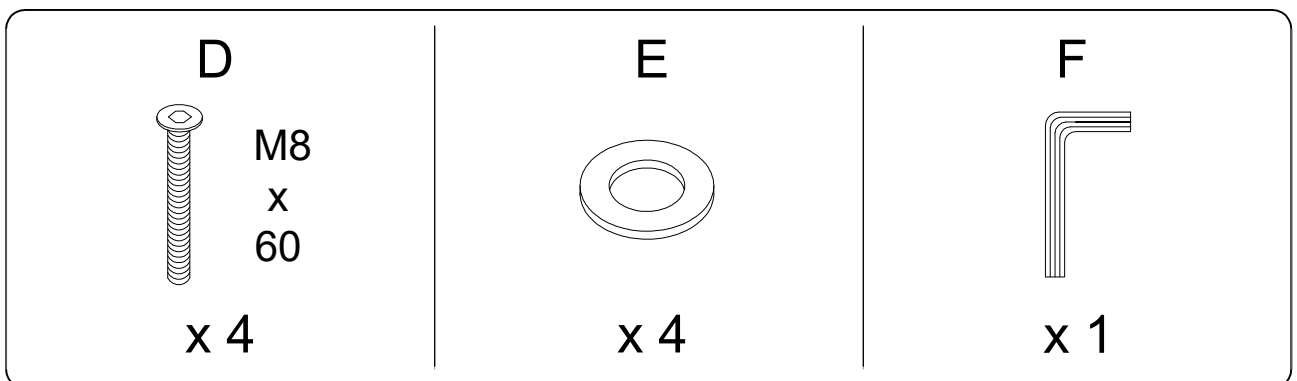
A



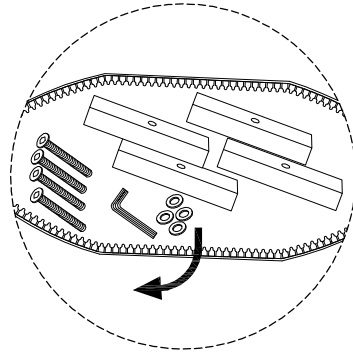
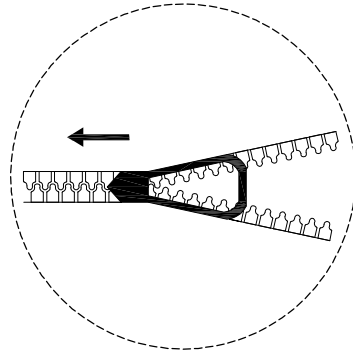
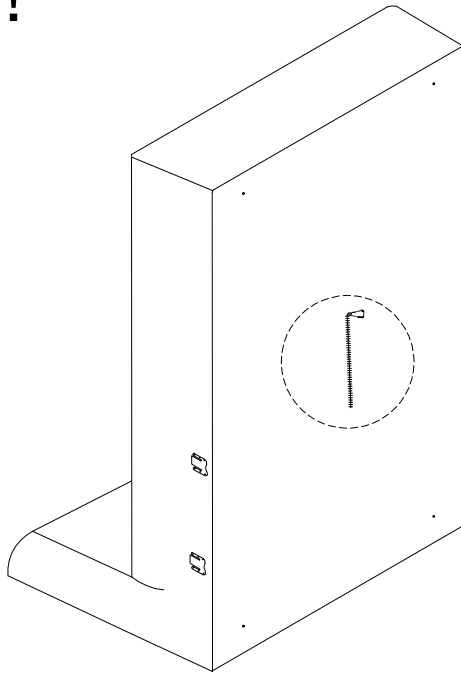
B



C x 4

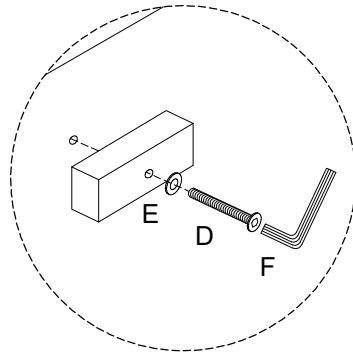
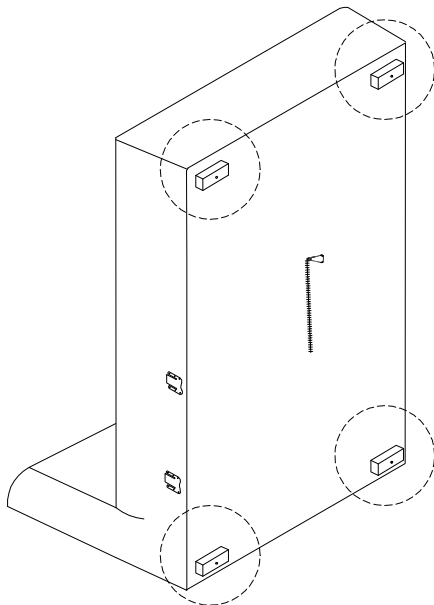


!



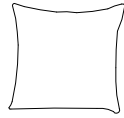
1

<b>B</b>  x 1	<b>C</b>  x 1	<b>D</b>  M8 x 60 x 4	<b>E</b>  x 4	<b>F</b>  x 1
---------------------	---------------------	--------------------------------------	---------------------	---------------------

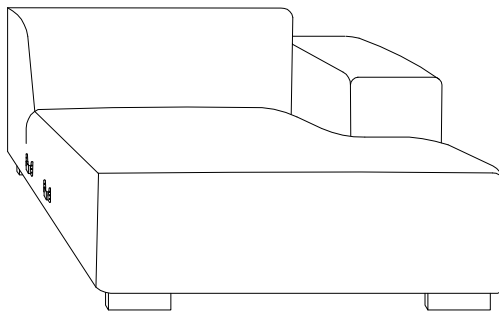
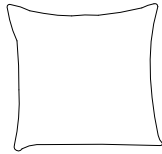


2

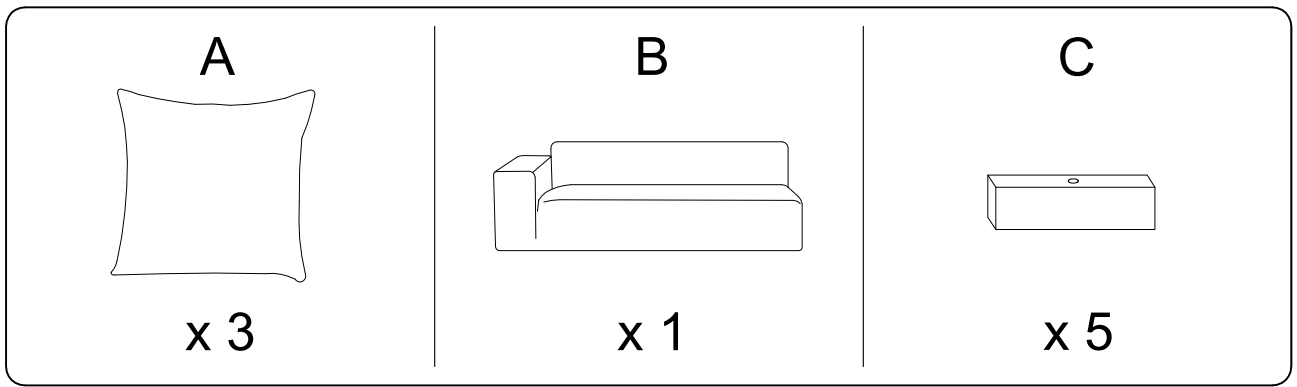
A



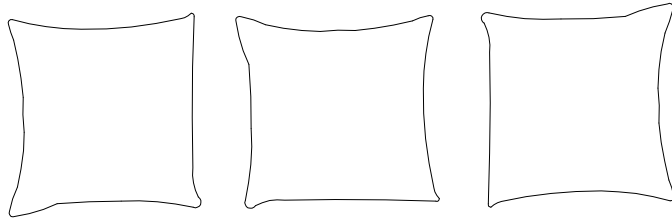
x 1



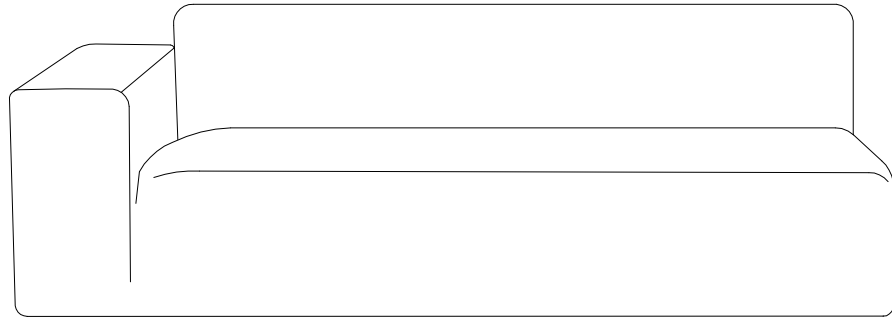
# B



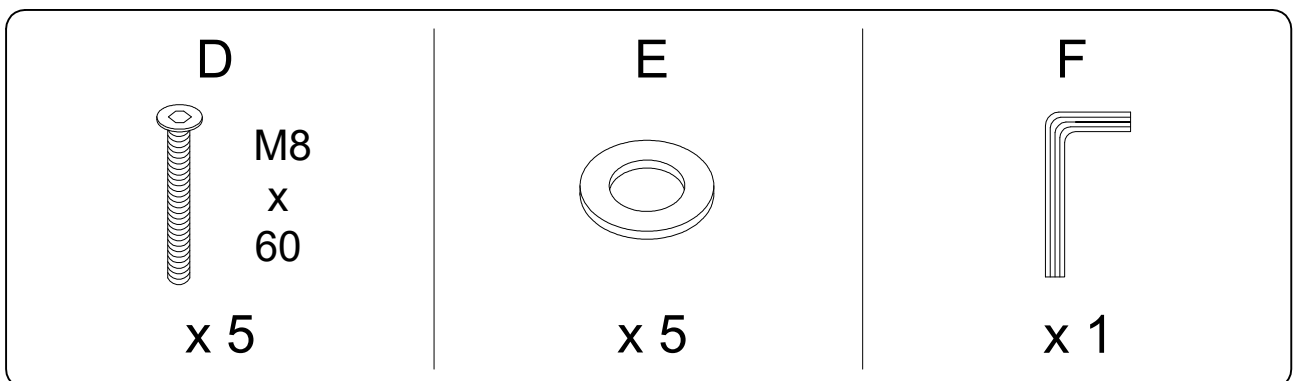
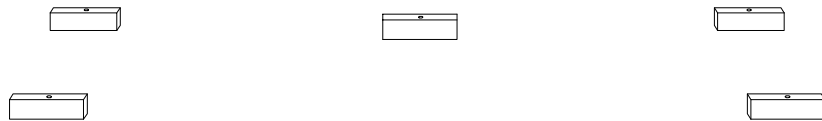
A x 3



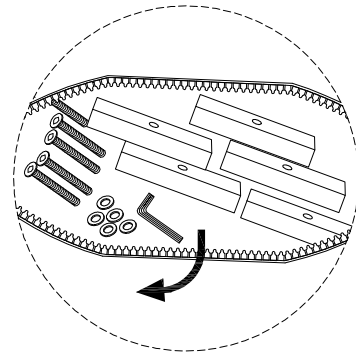
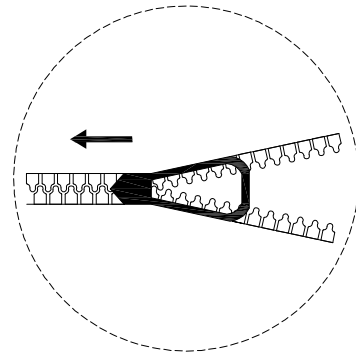
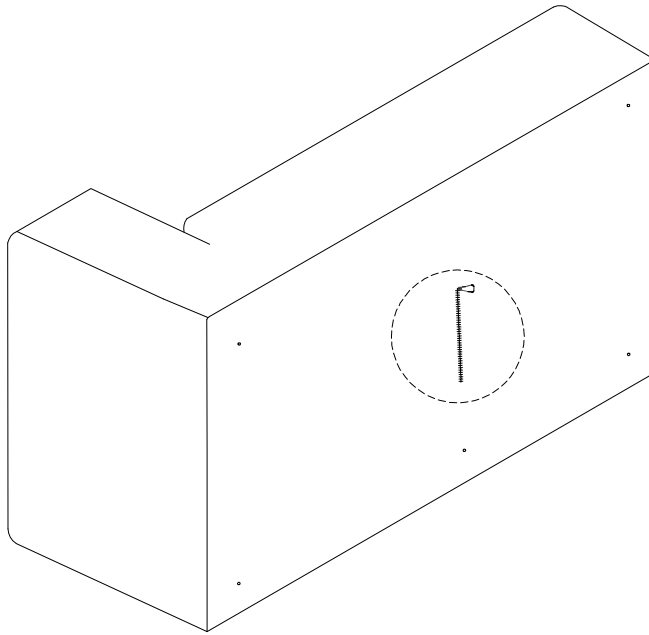
B



C x 5

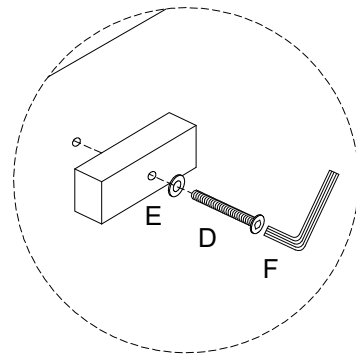
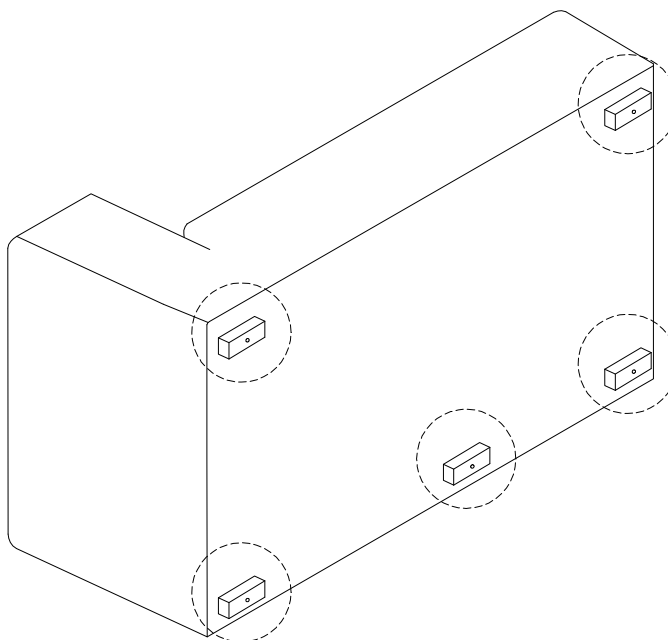


!

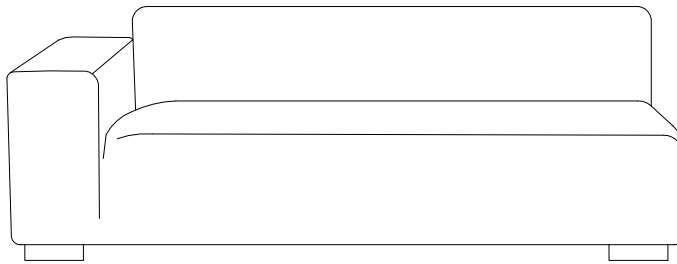
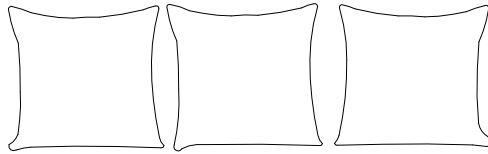
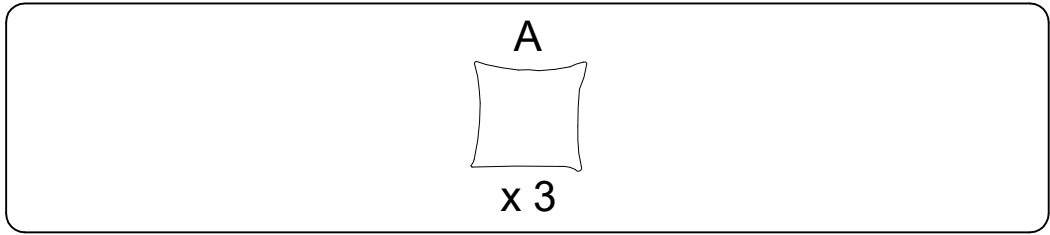


1

<b>B</b>  x 1	<b>C</b>  x 1	<b>D</b>  M8 x 60 x 5	<b>E</b>  x 5	<b>F</b>  x 1
---------------------	---------------------	-----------------------------------	---------------------	---------------------



2



!

