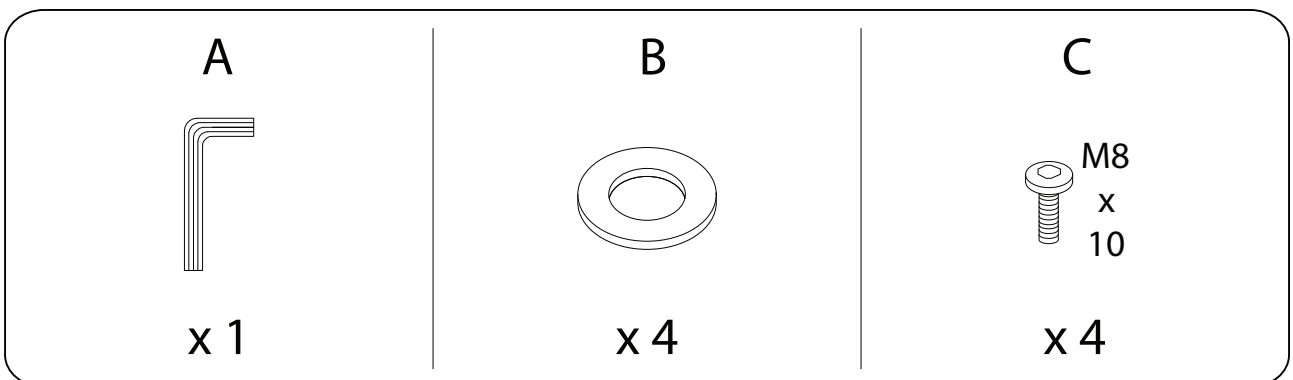
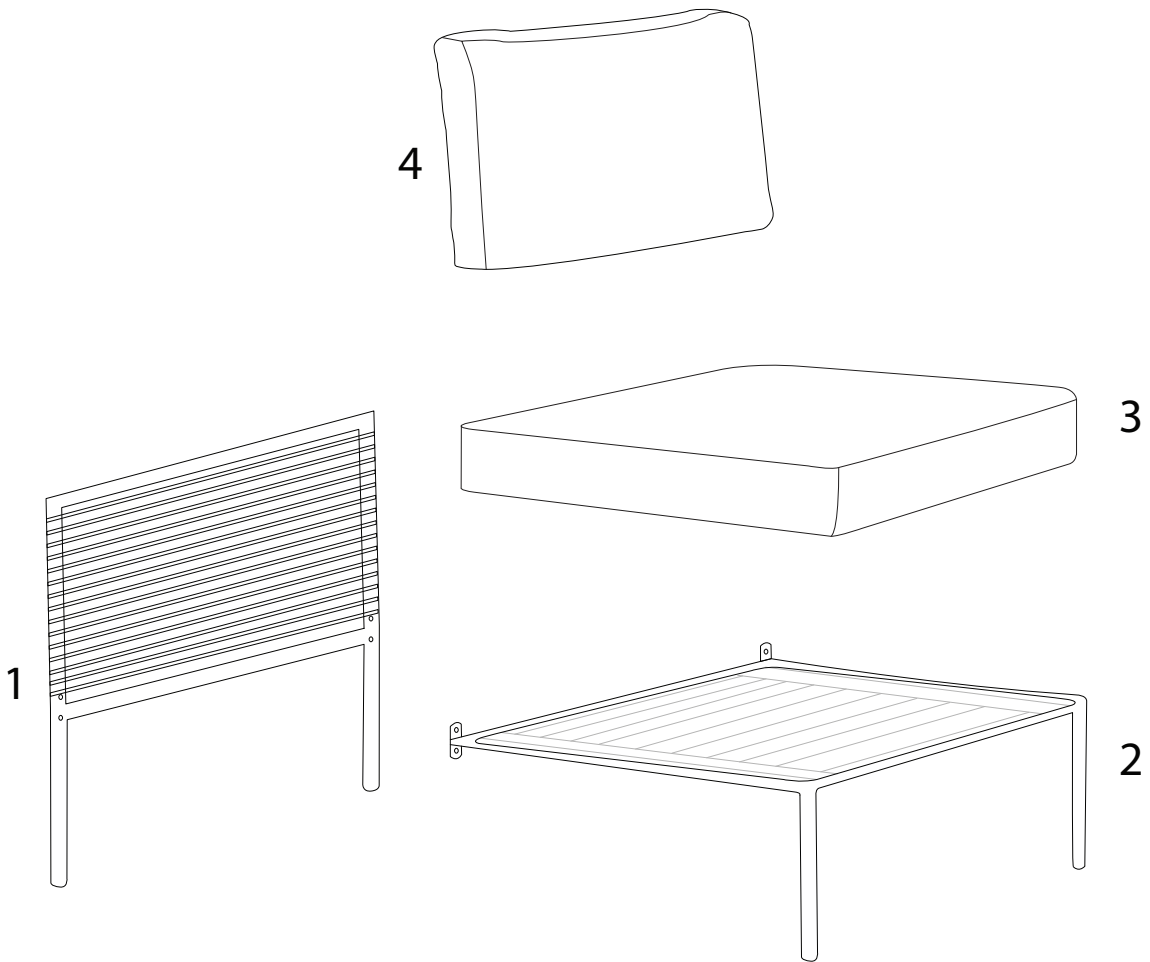
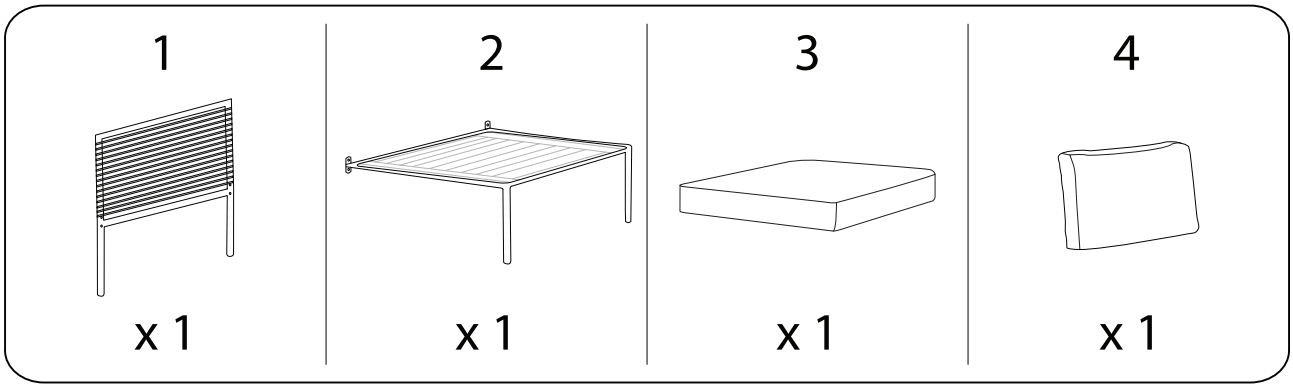


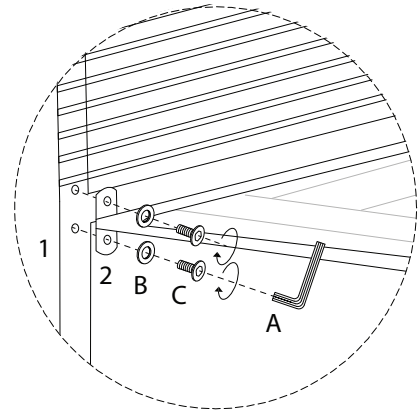
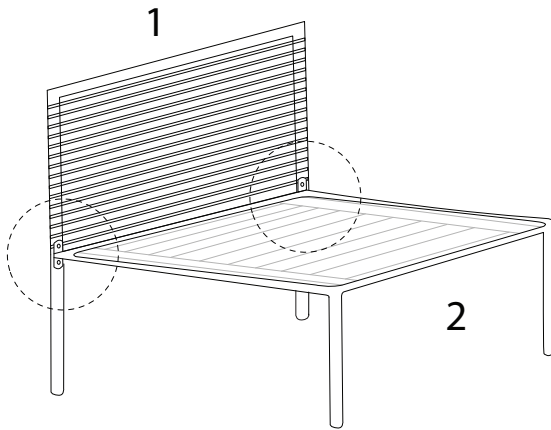
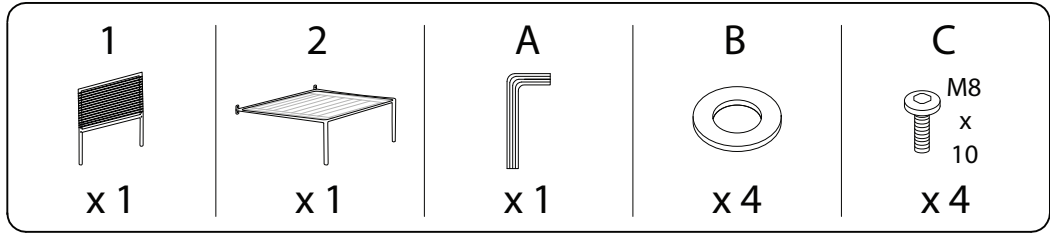
Assembly instructions for step 1/13:

- Tools:** A circle containing an Allen key and a wrench, with a crossed-out power drill icon next to it.
- Warning:** A triangle with an exclamation mark.
- Time:** A clock icon with the text "30'" below it.
- Personnel:** A stick figure icon with the number "1" below it.
- Diagram:** A circle showing a rectangular block being placed on a textured surface, with a crossed-out icon of the block being placed on a smooth surface.

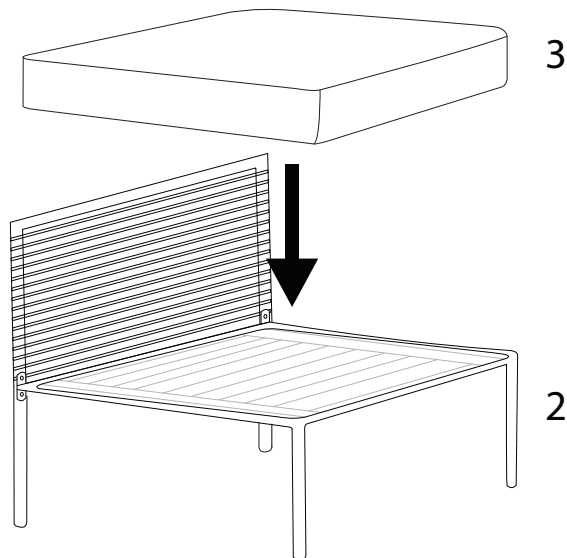
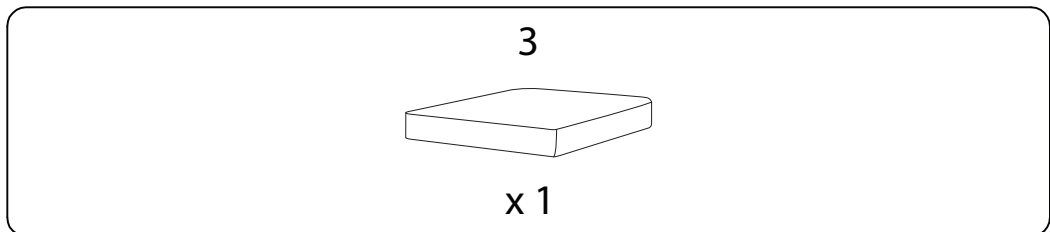
# A x 2



1

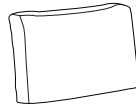


2

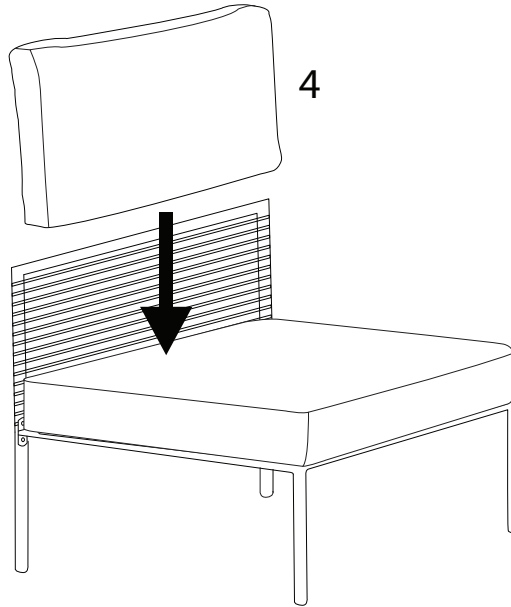


3

4

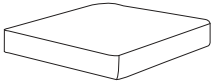
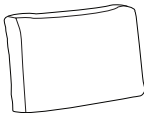
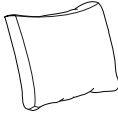
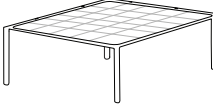
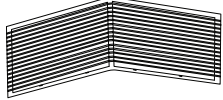


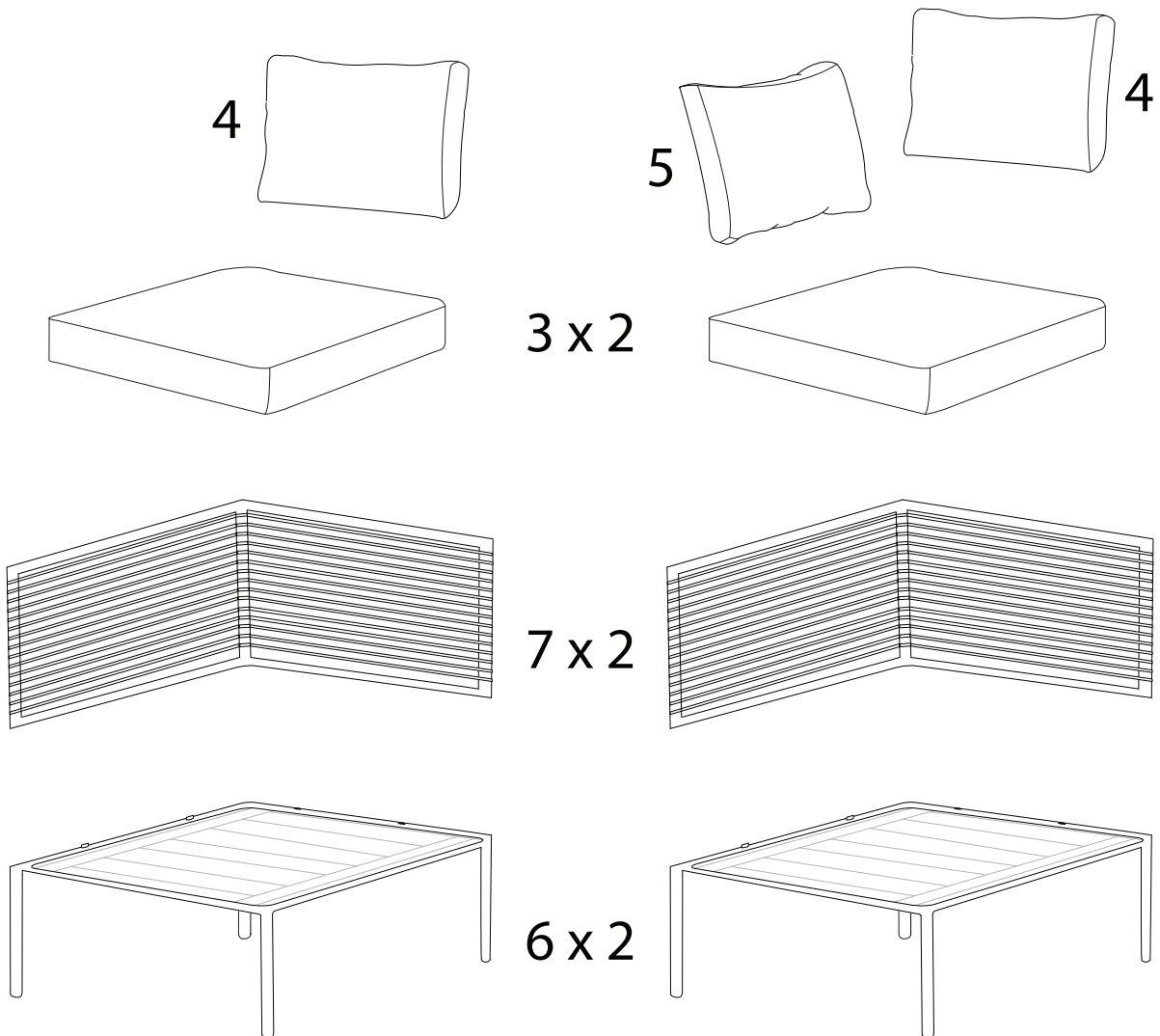
x 1


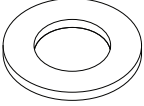
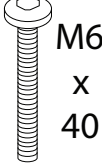
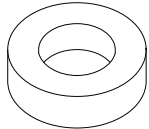


4


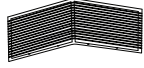
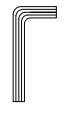
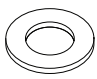
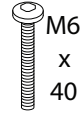
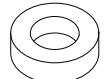
# B x 2

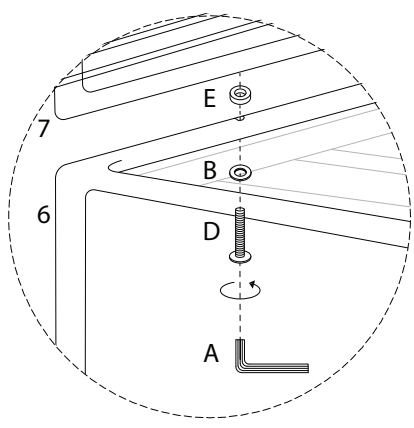
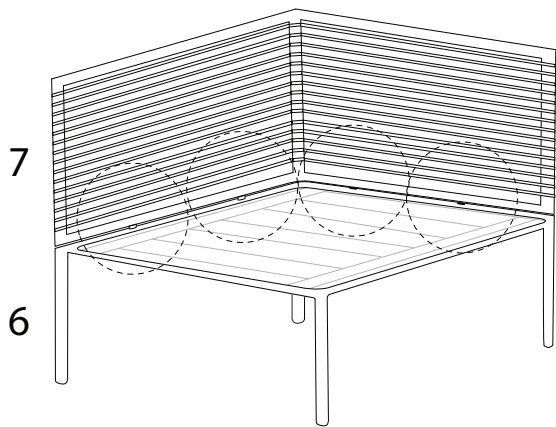
3	4	5	6	7
				
x 2	x 2	x 1	x 2	x 2




A	B	D	E
		 M6 x 40	
x 1	x 8	x 8	x 8

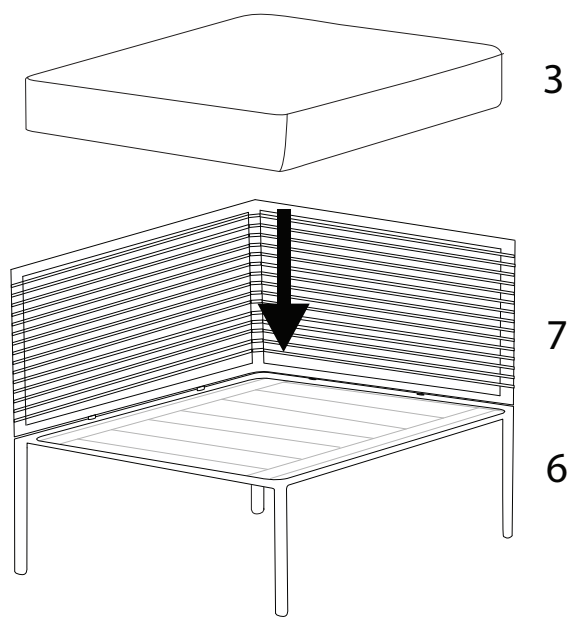
1 x 2

<p>6</p>  <p>x 1</p>	<p>7</p>  <p>x 1</p>	<p>A</p>  <p>x 1</p>	<p>B</p>  <p>x 4</p>	<p>D</p>  <p>x 4</p>	<p>E</p>  <p>x 4</p>
---	---	---	--	---	---

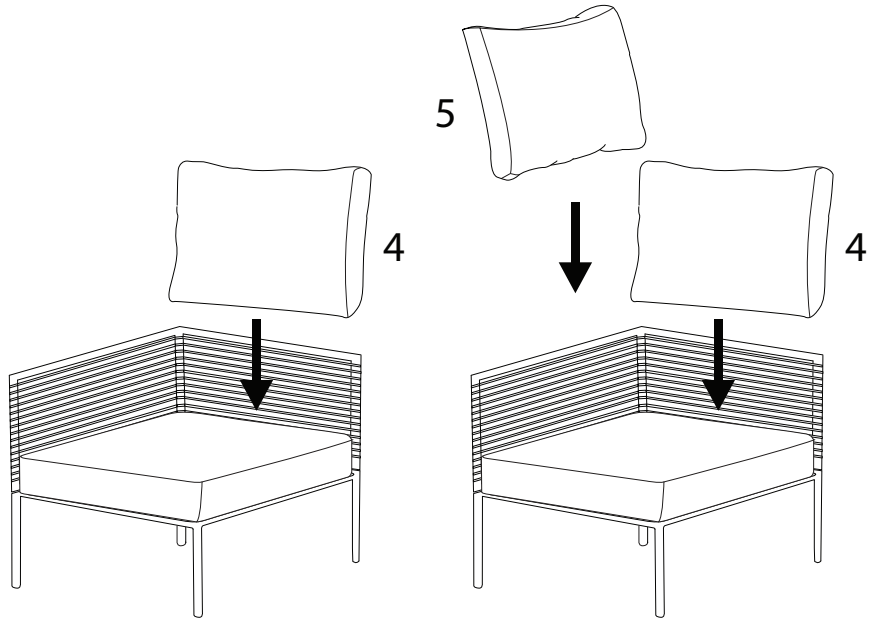
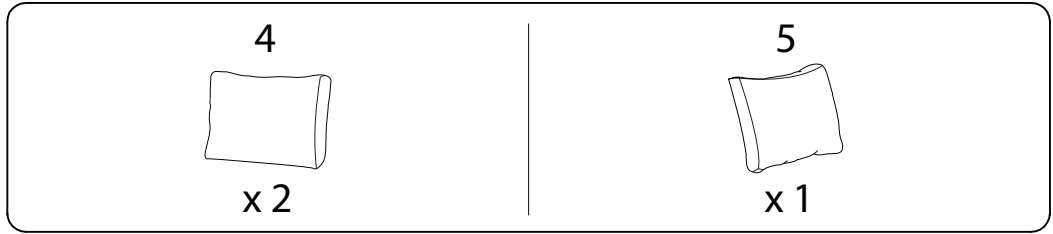


2 x 2

<p>3</p>  <p>x 1</p>
---

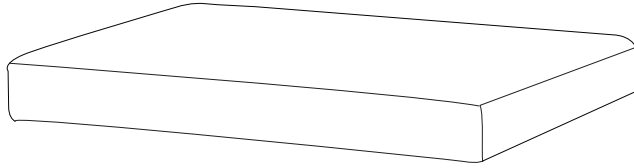


3

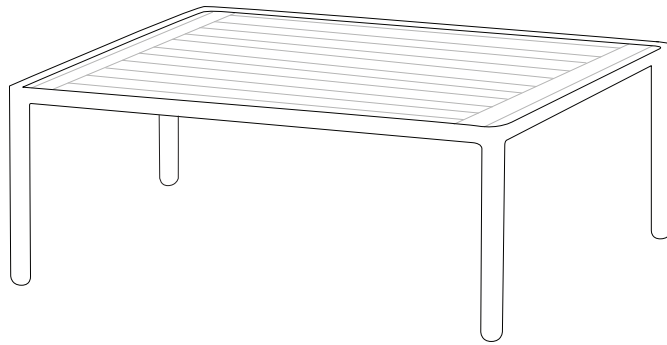


C

3



8

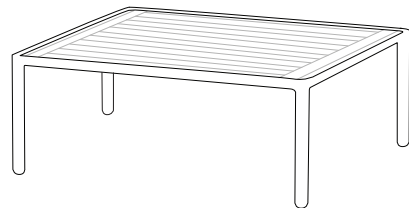


3



x 1

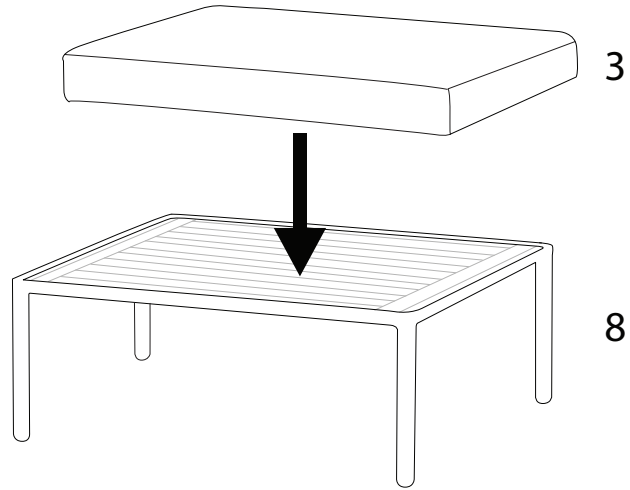
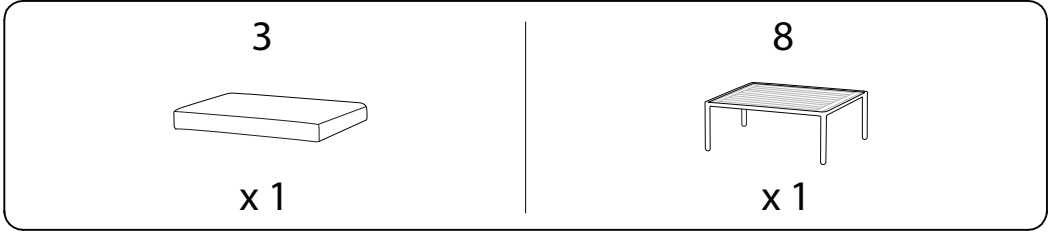
8







x 1

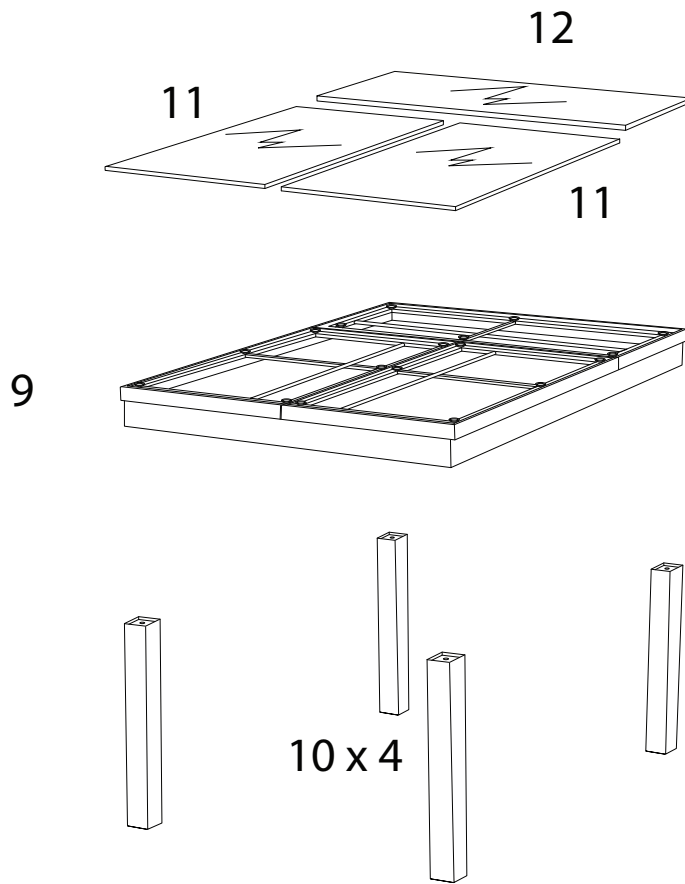


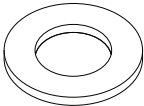

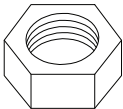
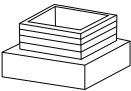
1



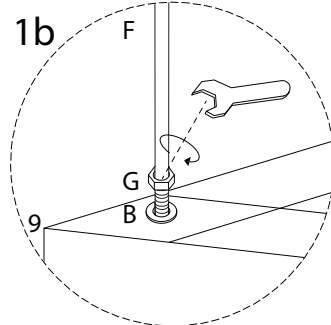
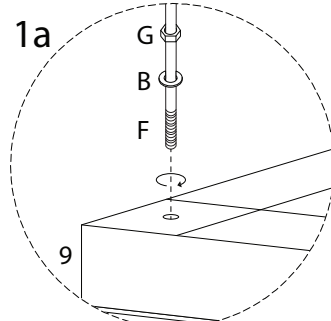
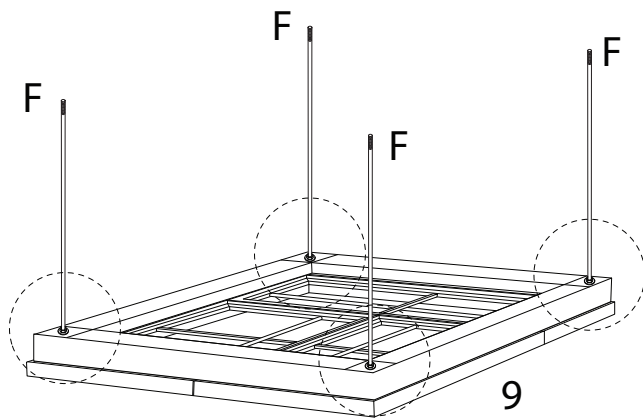
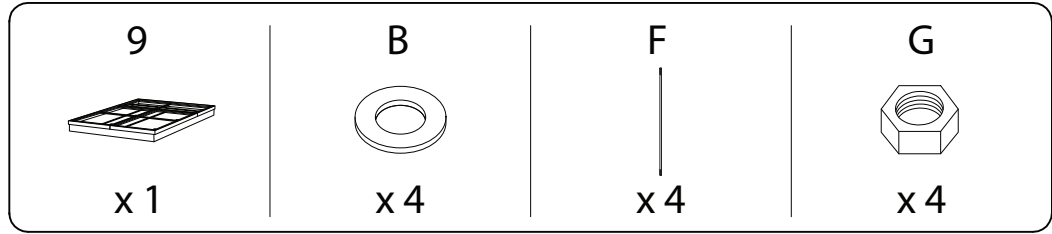
# D

<p>9</p>  <p>x 1</p>	<p>10</p>  <p>x 4</p>	<p>11</p>  <p>x 2</p>	<p>12</p>  <p>x 1</p>
---	--	---	--

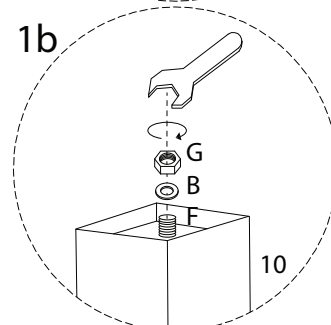
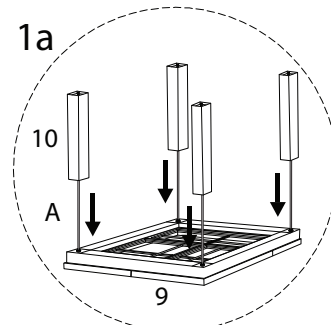
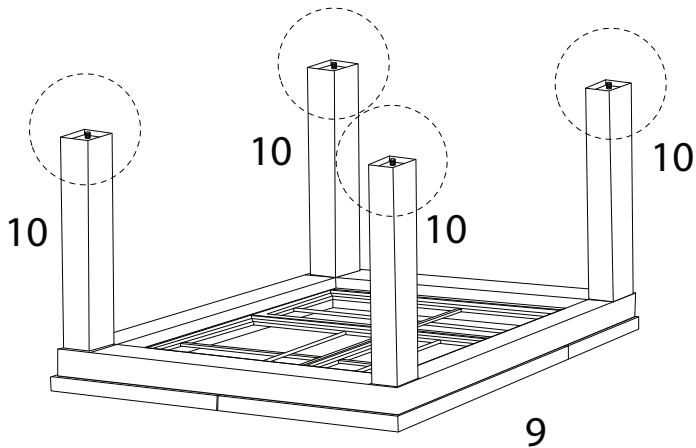
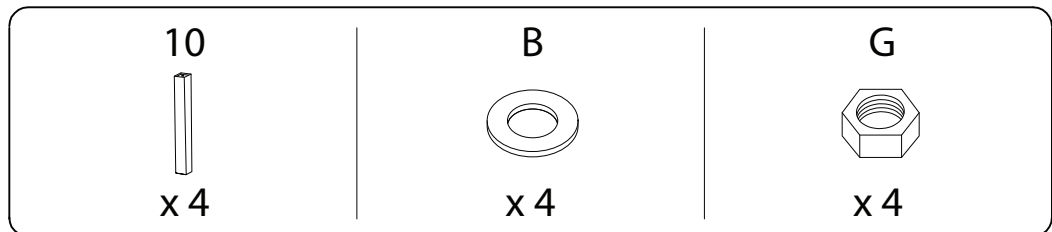


<p>B</p>  <p>x 8</p>	<p>F</p>  <p>x 4</p>	<p>G</p>  <p>x 8</p>	<p>H</p>  <p>x 4</p>
---	---	--	---

1

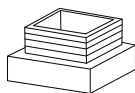


2

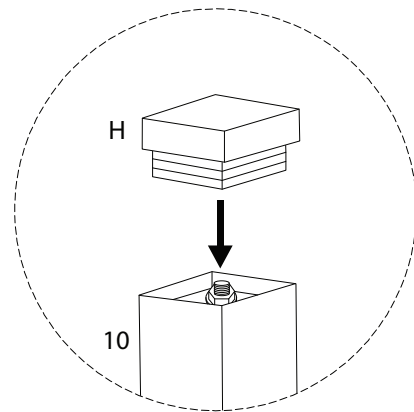
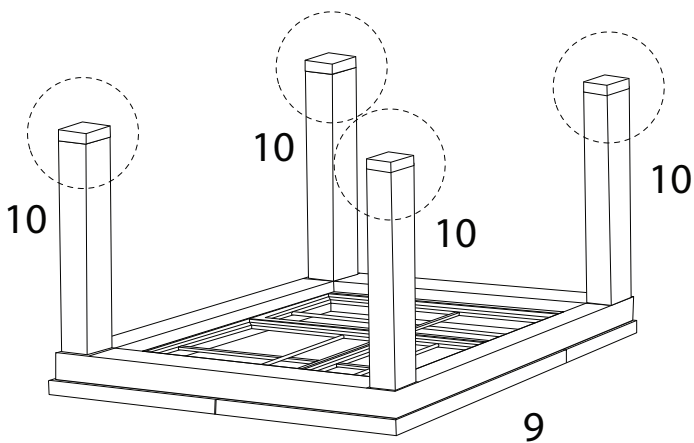


3

H



x 4



4

11

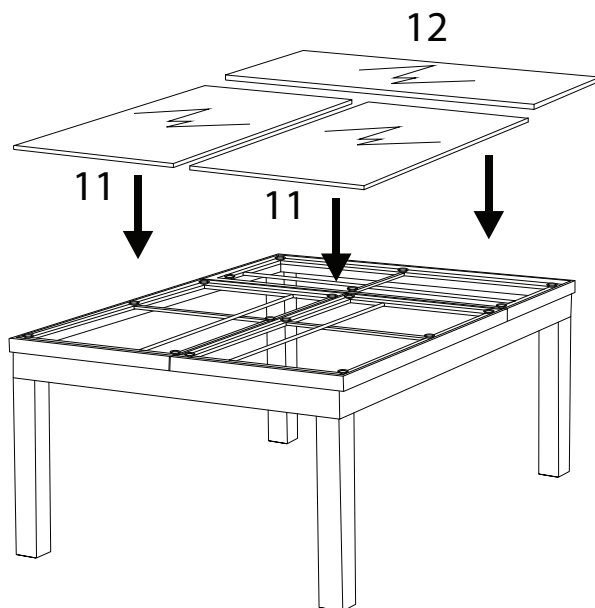


x 2

12



x 1



5

