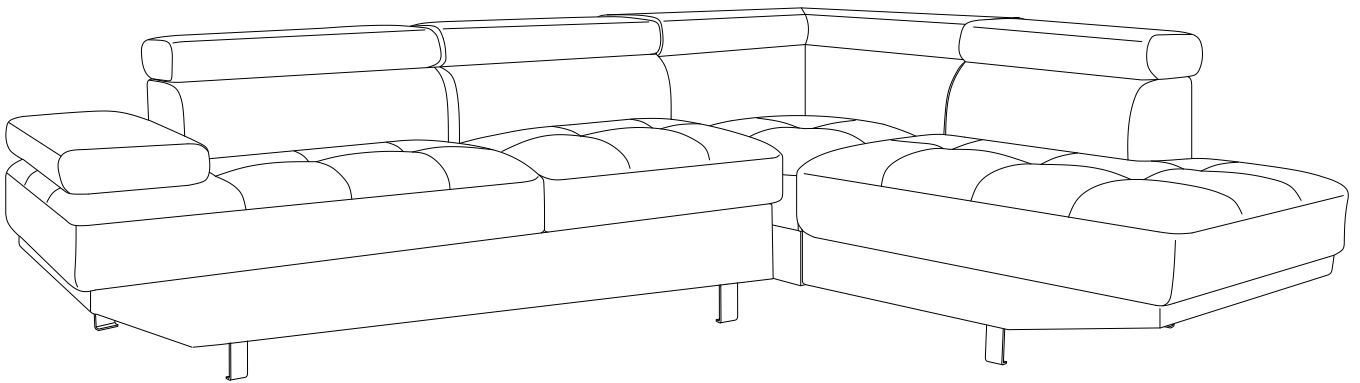
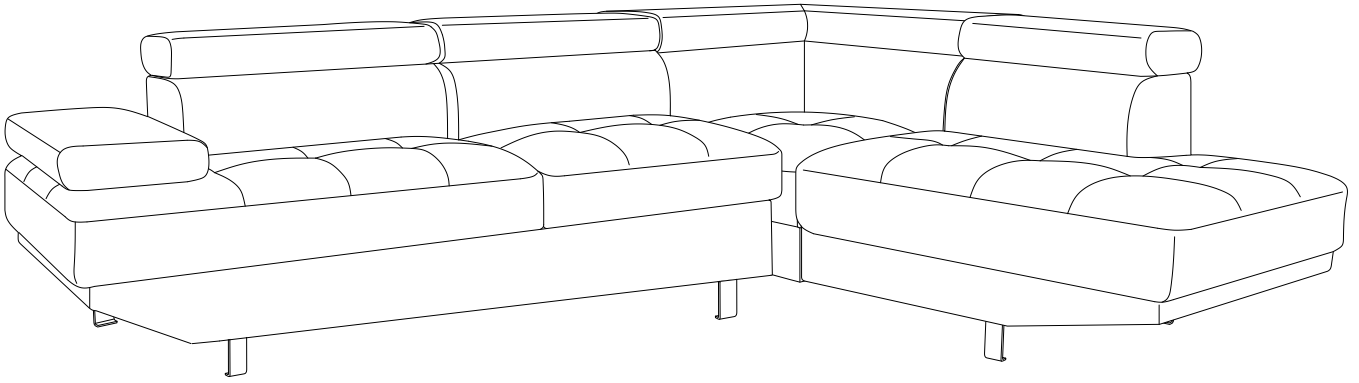

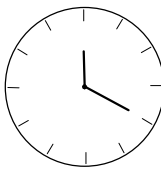

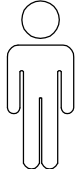


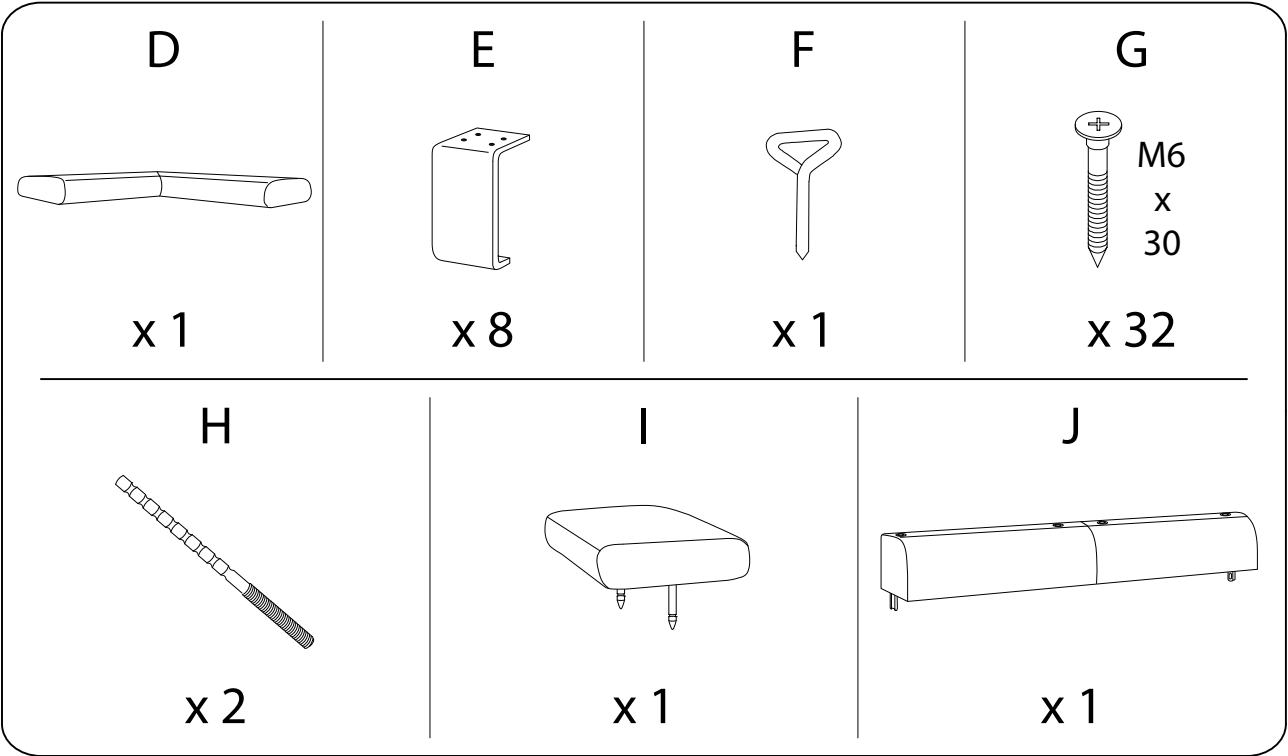
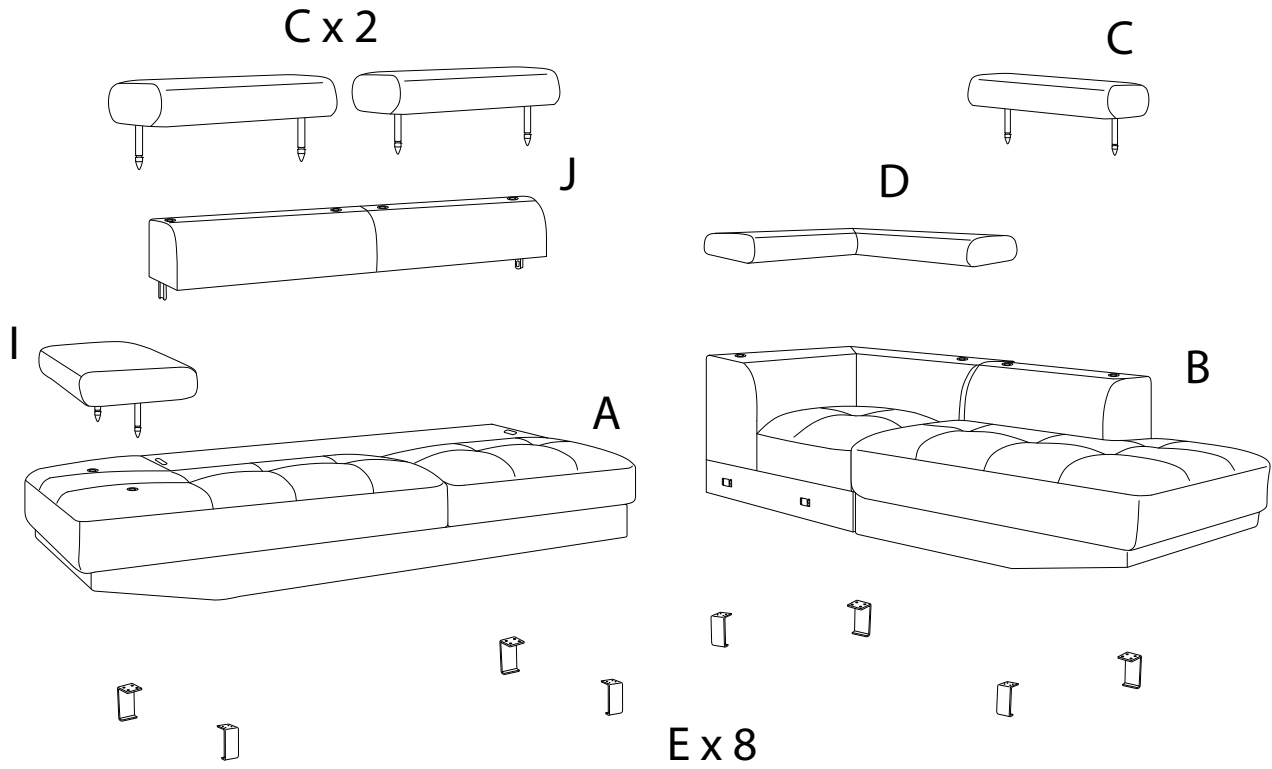
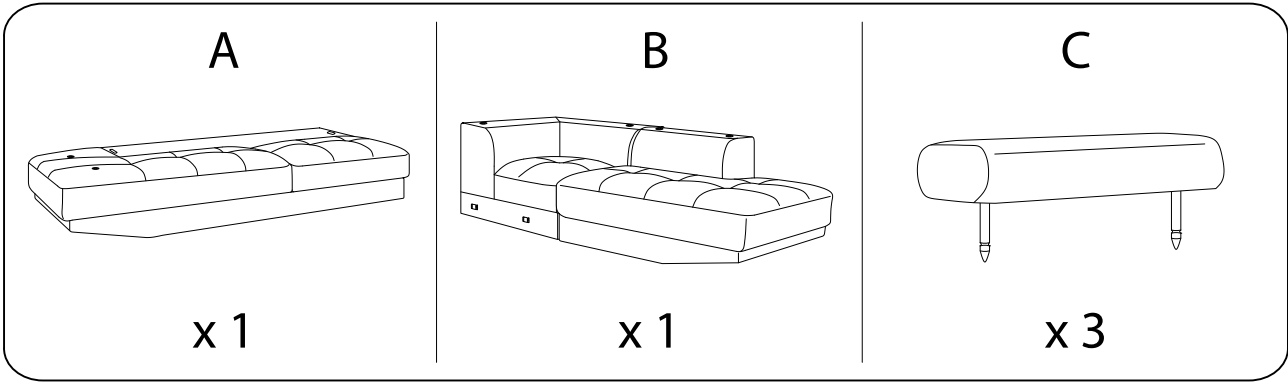
NORREA



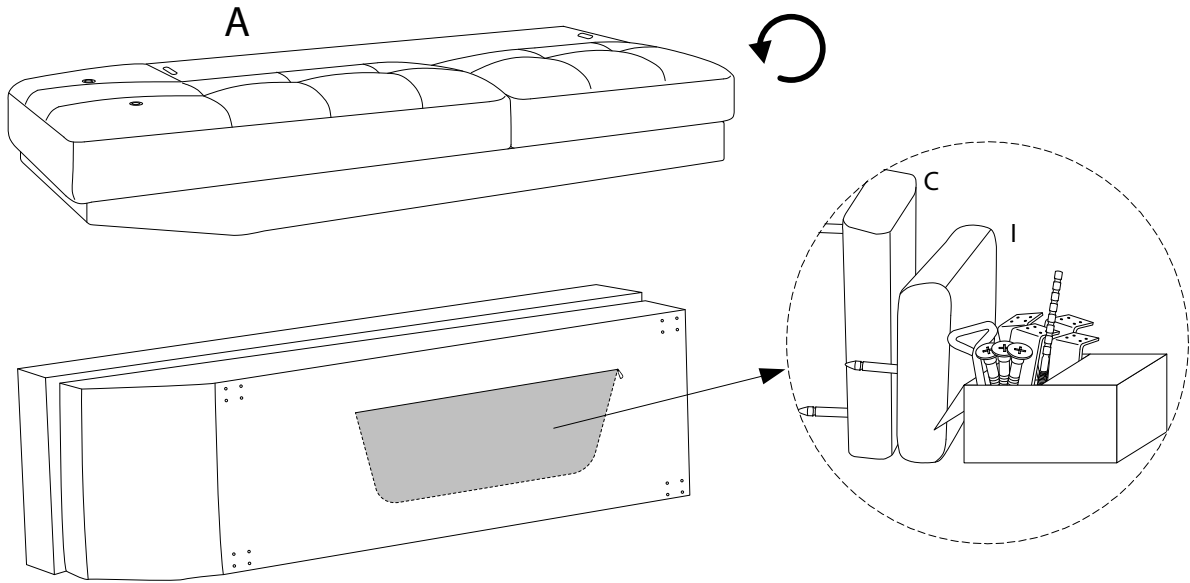


Assembly instructions for step 1/7:

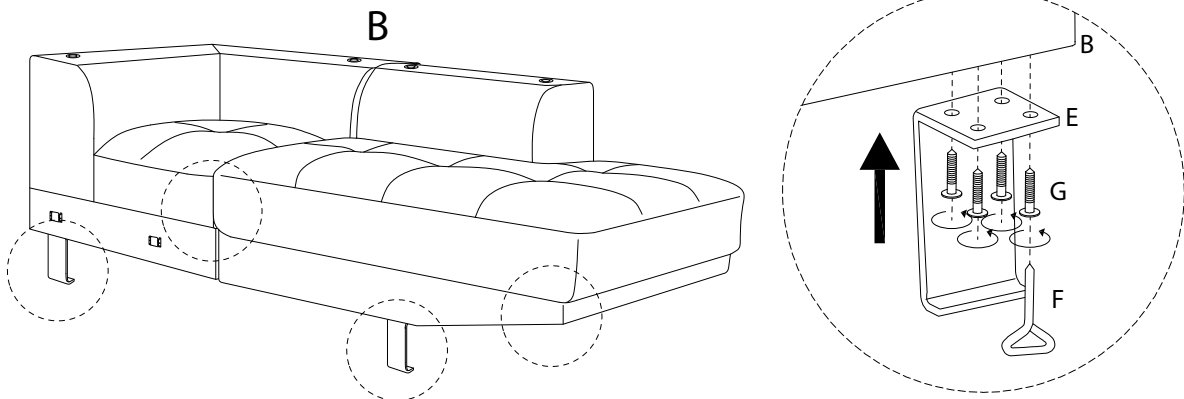
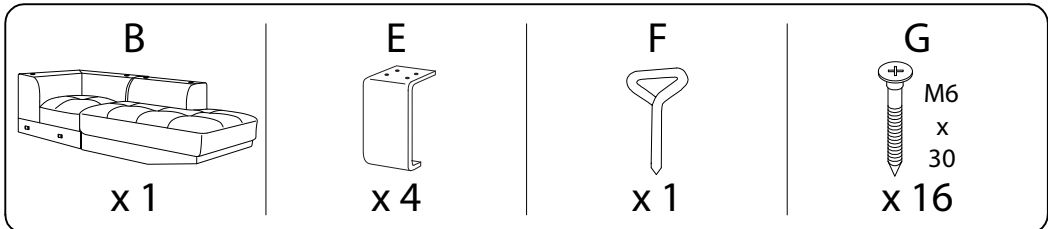
- Warning 1:** Do not use a power drill. Use the provided Allen key (shown in a circle) to tighten the screws. 
- Time:** 20' 
- Warning 2:** Do not use a power drill. Use the provided Allen key to tighten the screws. 
- Personnel:** 2 



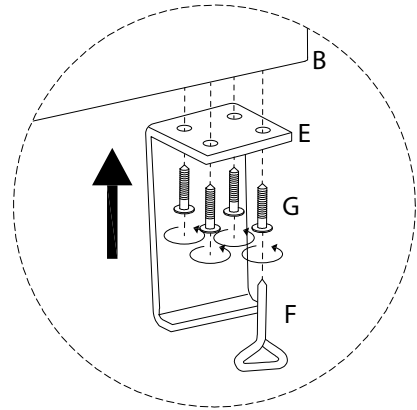
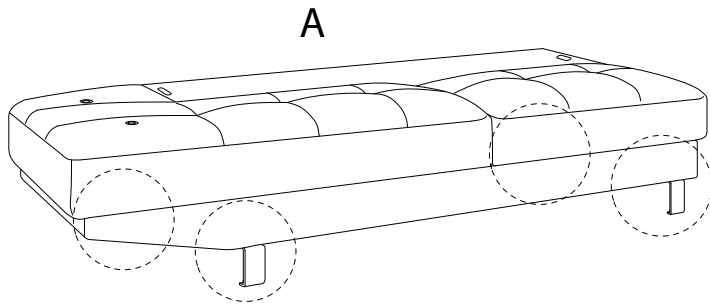
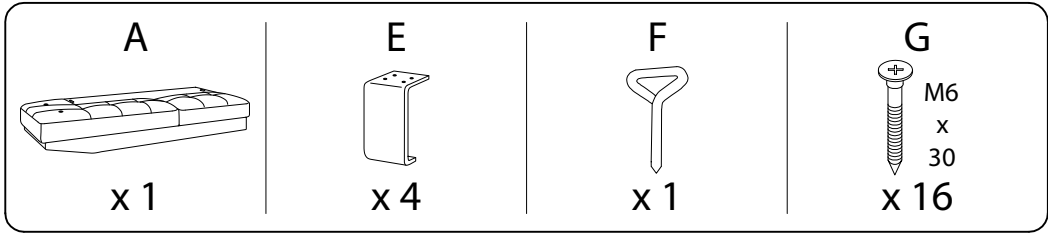
!



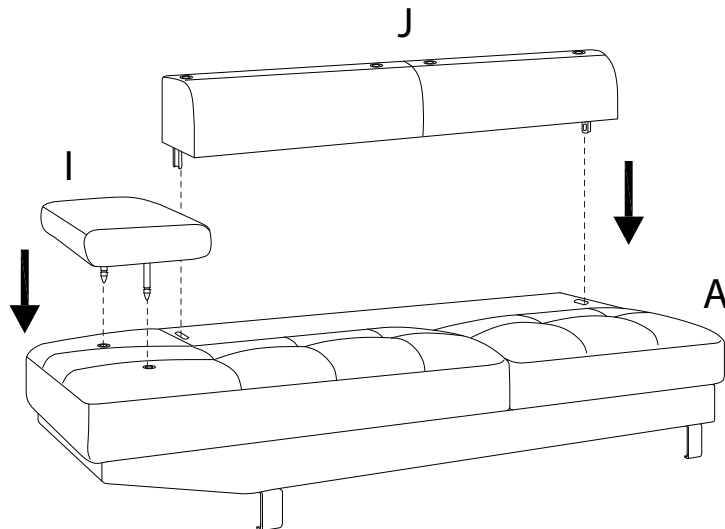
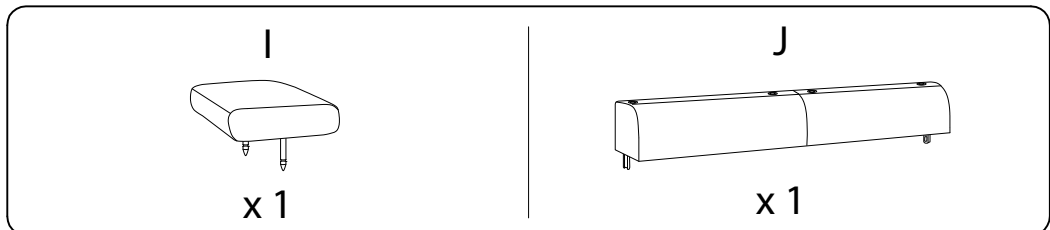
1



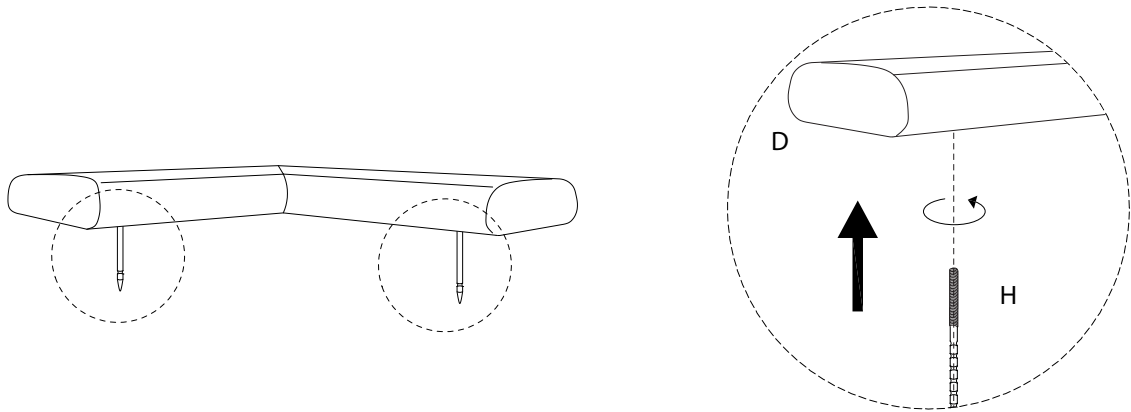
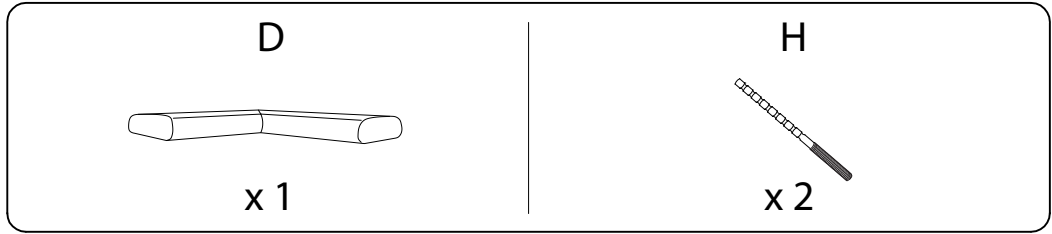
2



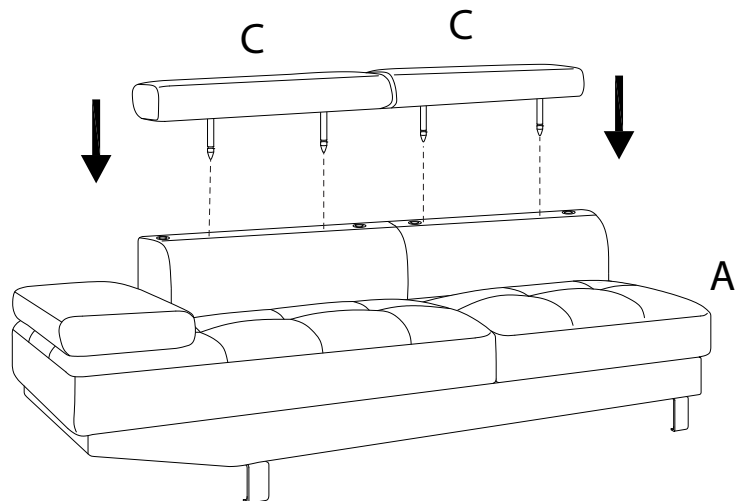
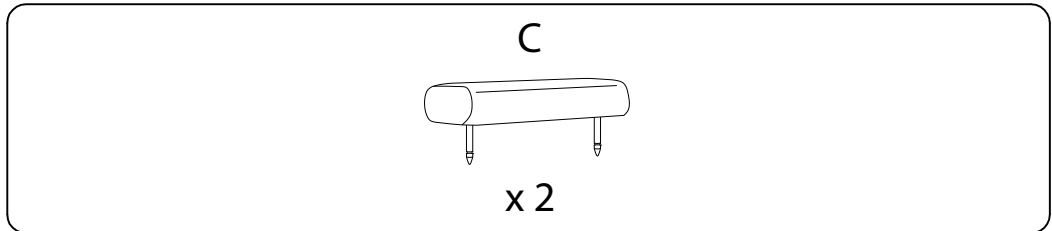
3



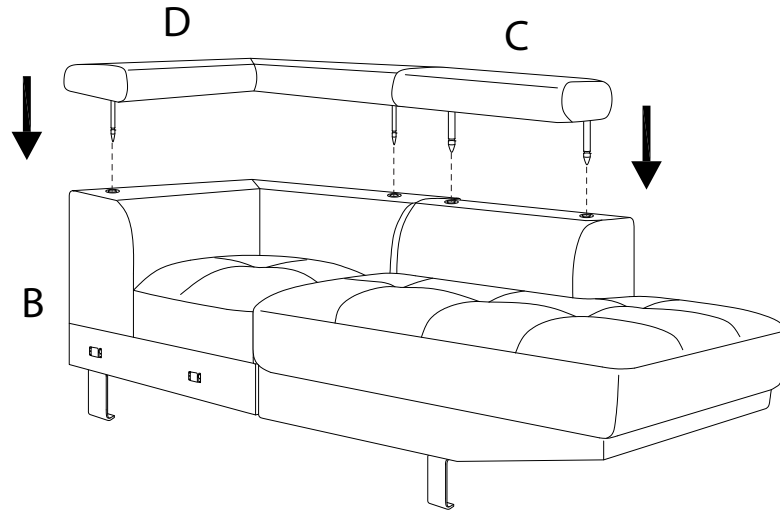
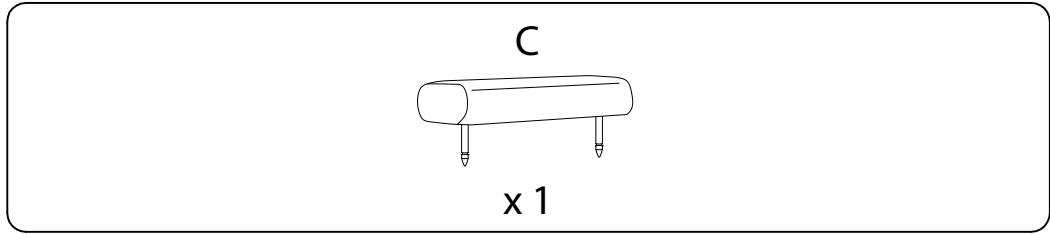
4



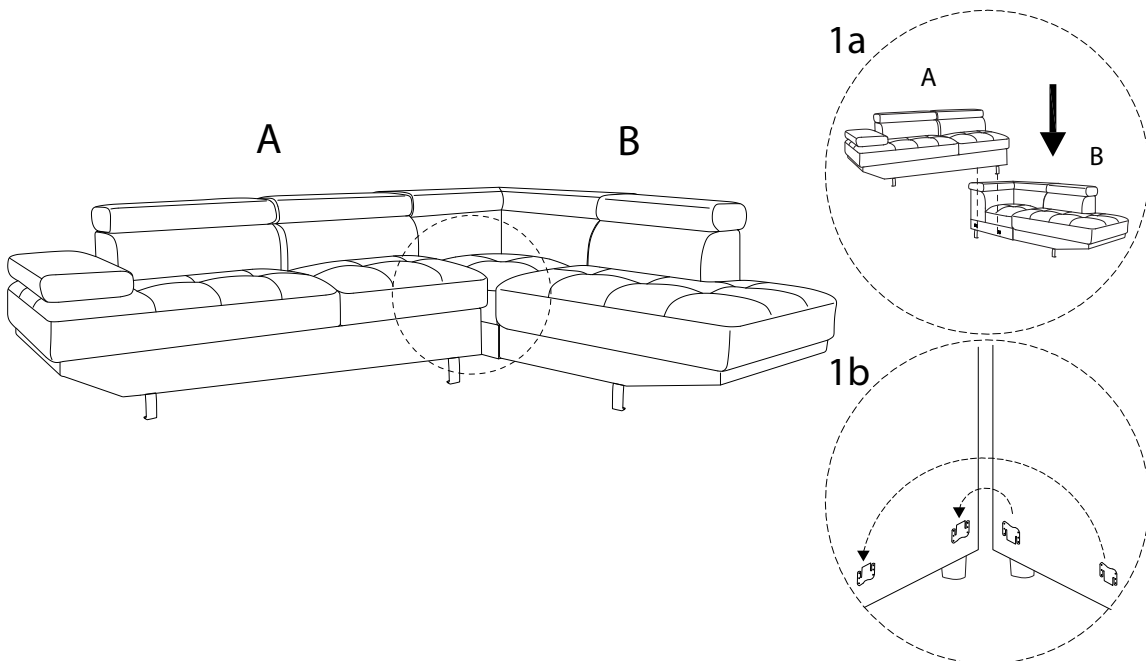
5



6



7



!

