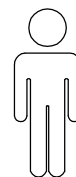
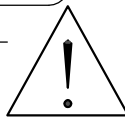
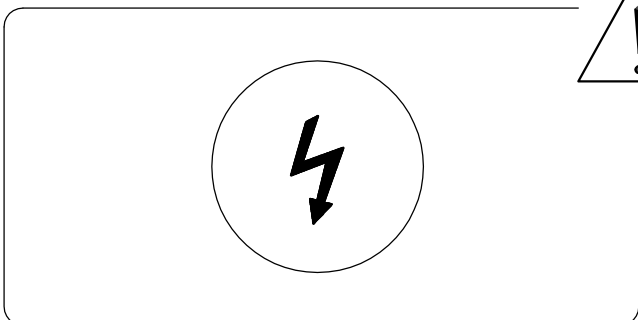

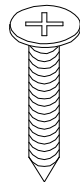
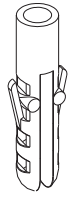


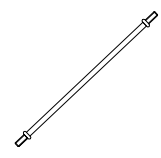
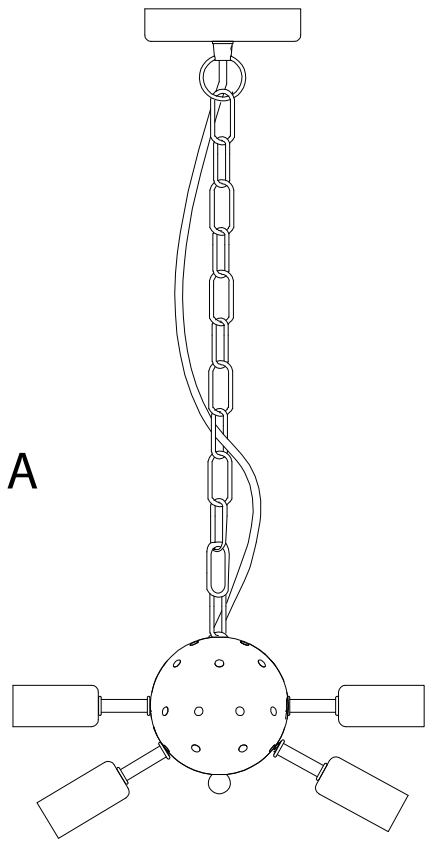
15'



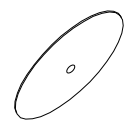
1

1/5

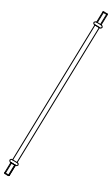

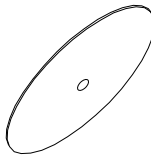
<p>A</p>  <p>x 1</p>	<p>B</p>  <p>x 2</p>	<p>C</p>  <p>x 2</p>
---	---	---



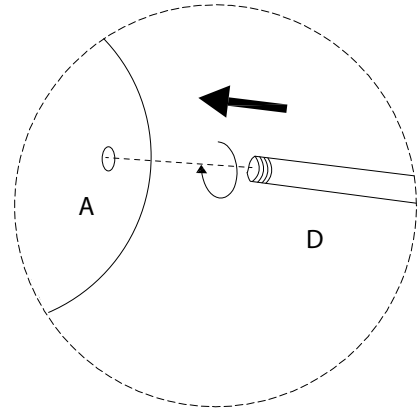
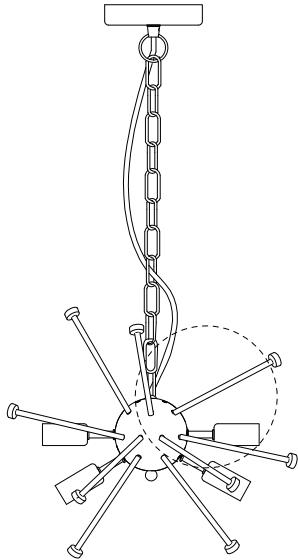
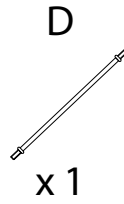
D x 32



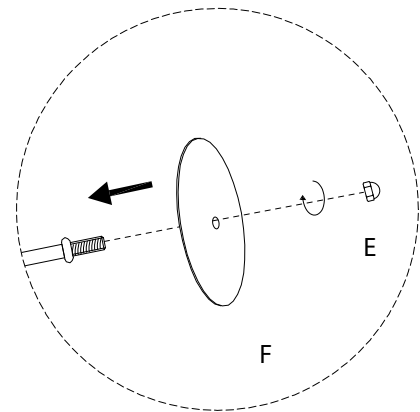
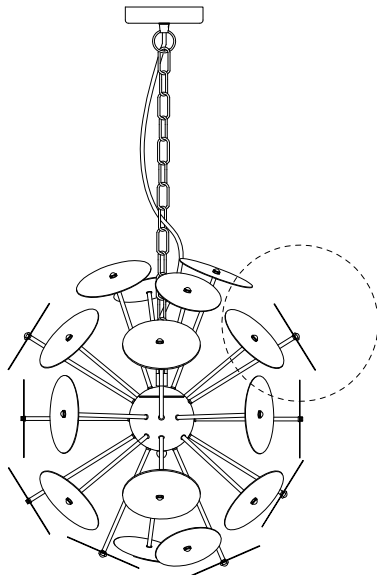
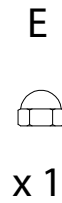
F x 32

<p>D</p>  <p>x 32</p>	<p>E</p>  <p>x 32</p>	<p>F</p>  <p>x 32</p>
--	--	--

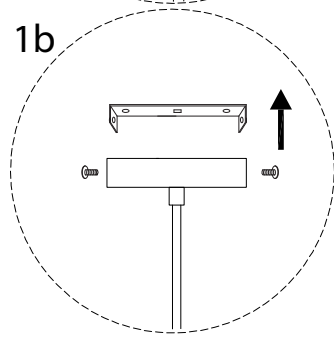
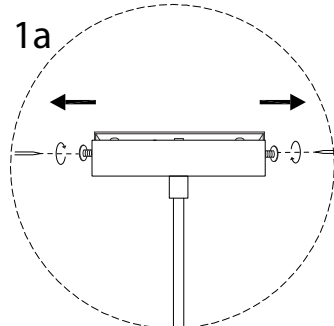
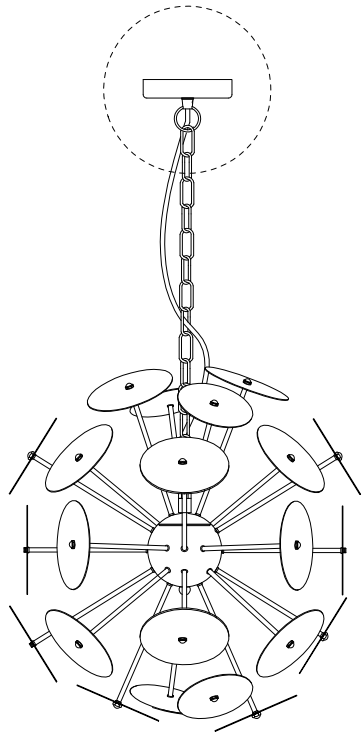
1 x 32



2 x 32

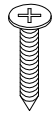


3



4

B

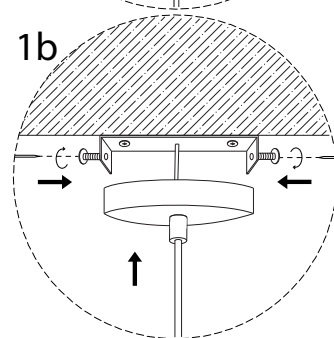
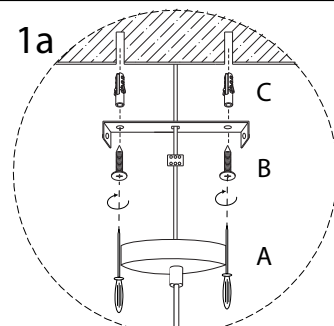
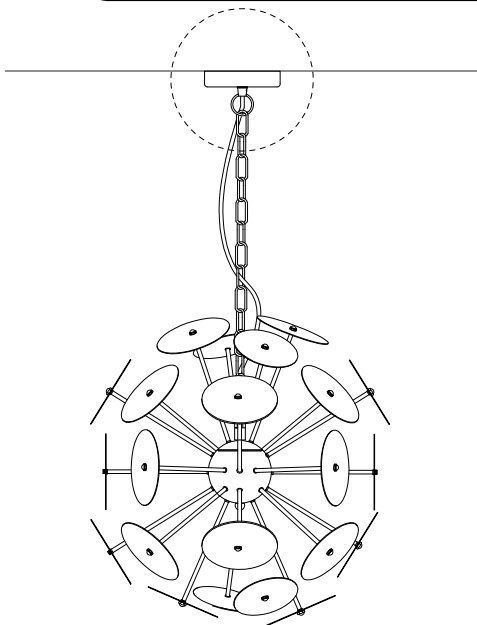


x 2

C



x 2



5 x 4

