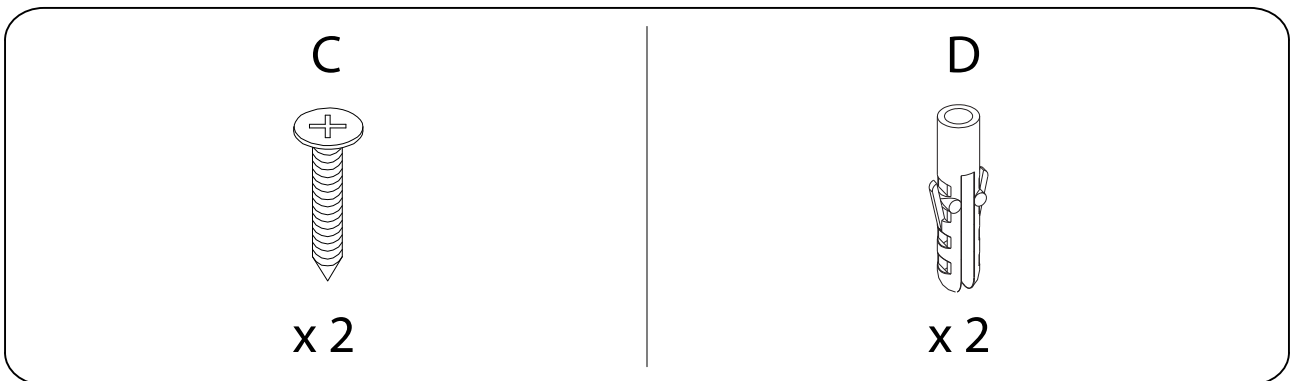
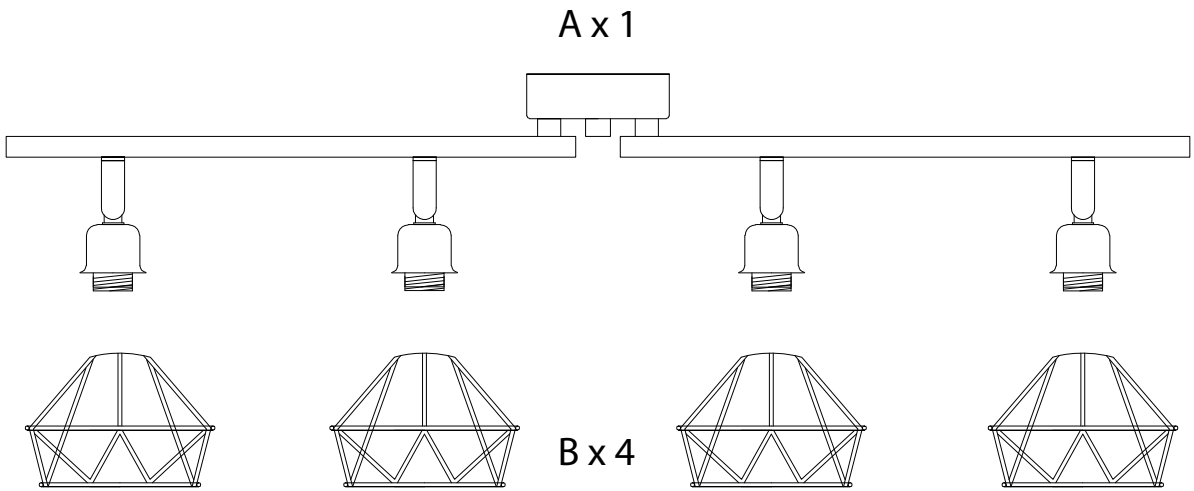
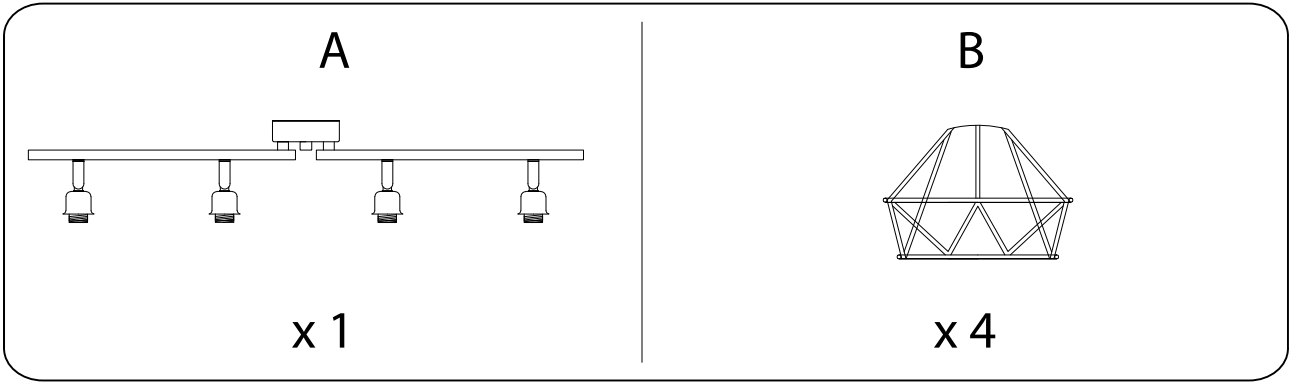
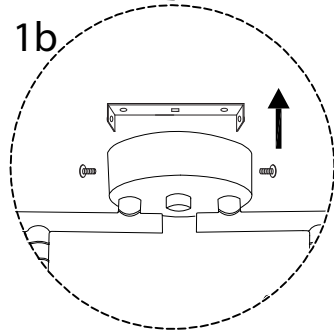
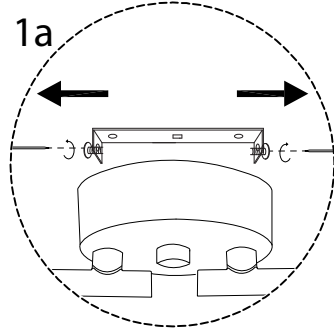
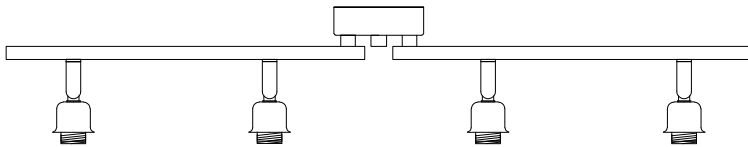
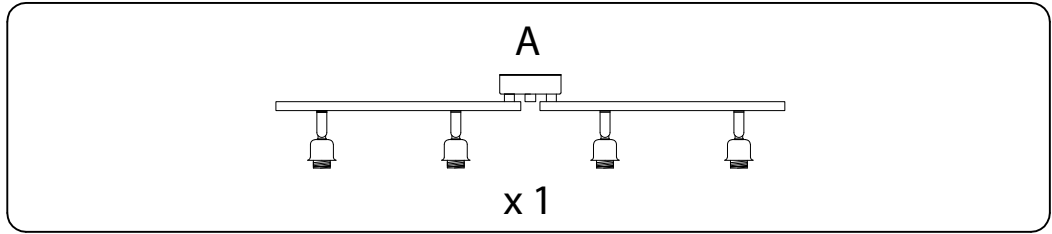


Diagram illustrating the required tools, safety warnings, and personnel for the installation:

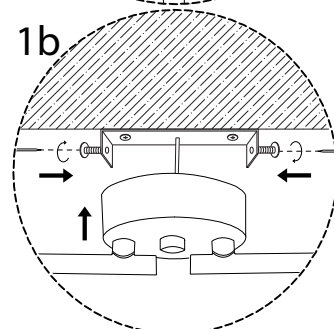
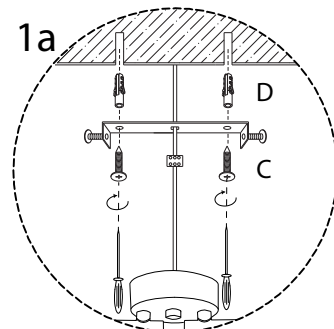
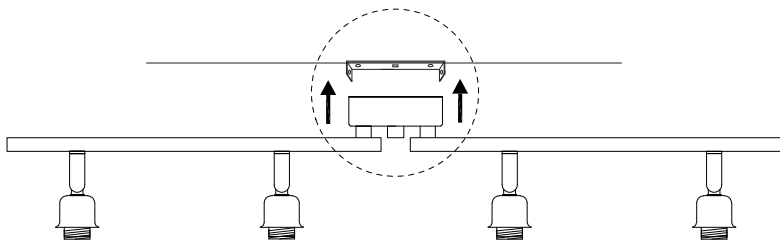
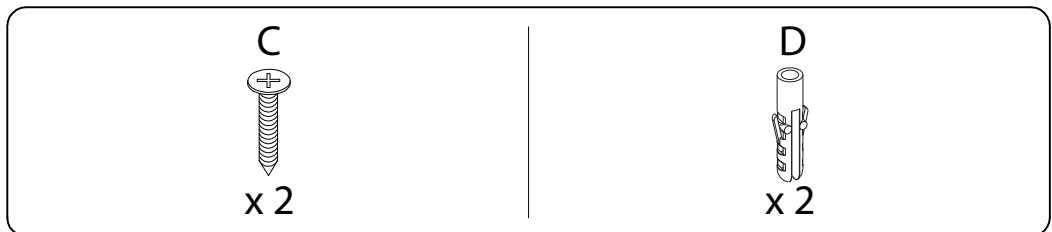
- Tools:** A screwdriver and a power drill are shown in circular icons within a rectangular box.
- Warning:** A triangular warning symbol with an exclamation mark is positioned to the right of the tools box.
- Time:** A clock icon is shown to the right of the warning symbol, with the text "5'" below it, indicating a 5-minute installation time.
- Electrical Warning:** A rectangular box contains a circular icon with a lightning bolt symbol, representing an electrical hazard.
- Warning:** A second triangular warning symbol with an exclamation mark is positioned to the right of the electrical hazard box.
- Personnel:** A stick figure icon representing a person is shown to the right of the second warning symbol, with the text "1" below it, indicating that one person is required for the installation.



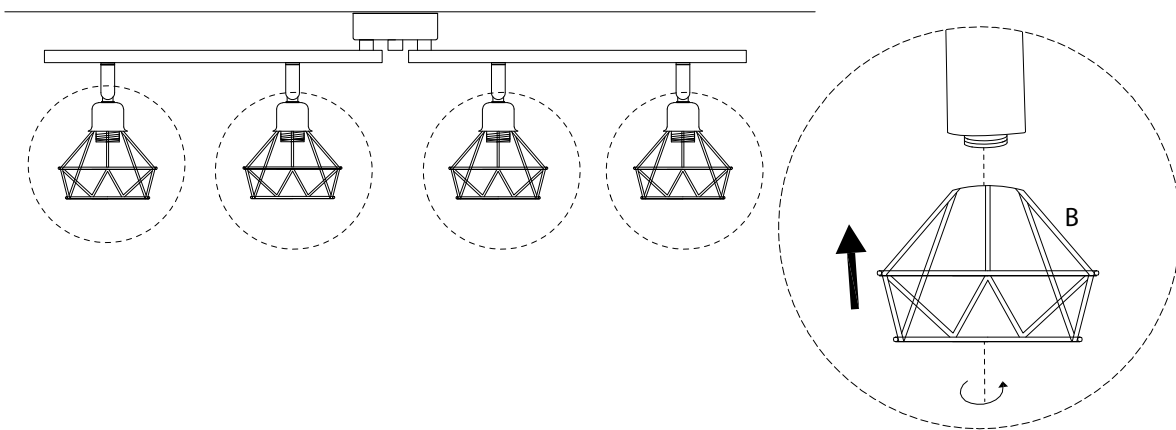
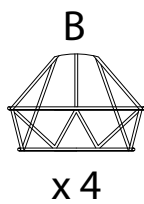
1



2



3



4

