

! (Warning symbol)

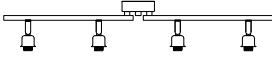
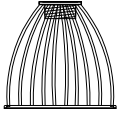
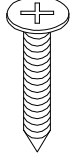

! (Warning symbol)

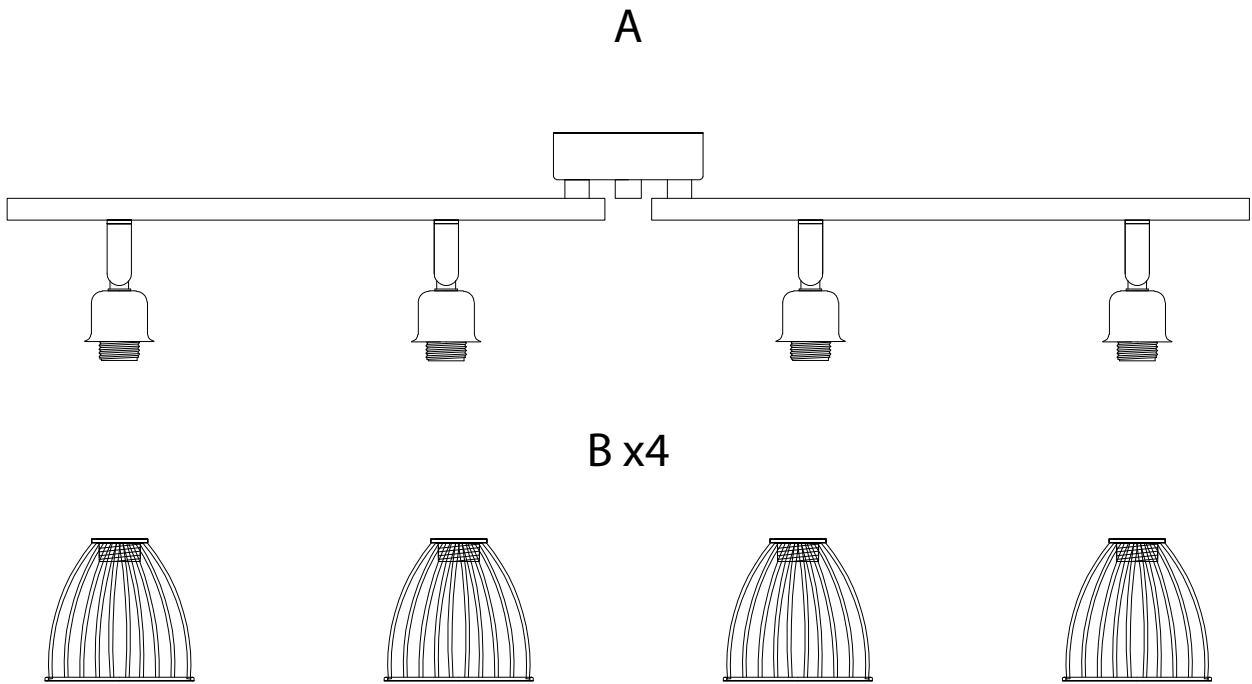
15'

1

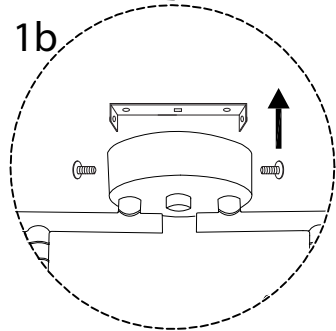
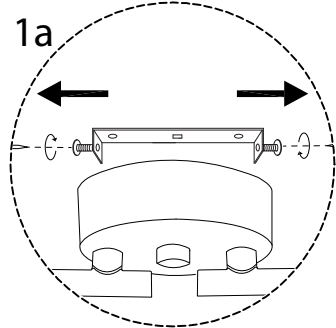
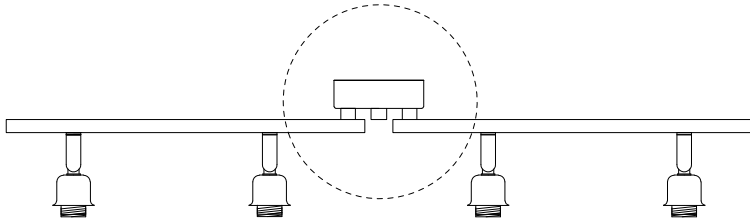
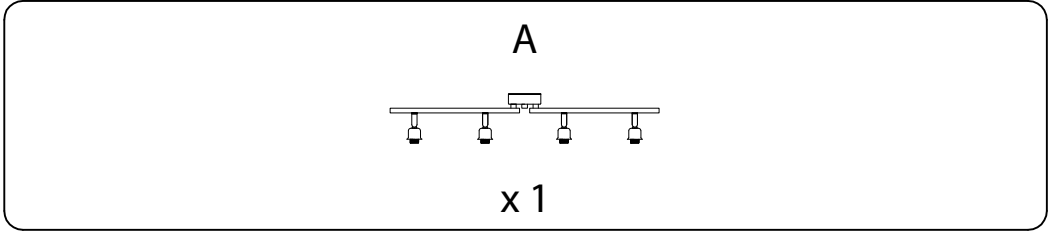
1/4

A collection of safety and installation icons. On the left, a rounded rectangle contains a screwdriver and a power drill. Below it, another rounded rectangle contains a lightning bolt symbol. To the right, there is a clock face, a human figure icon, and the number '1'. A vertical line connects the top warning symbol to the clock, and another connects the bottom warning symbol to the human figure.

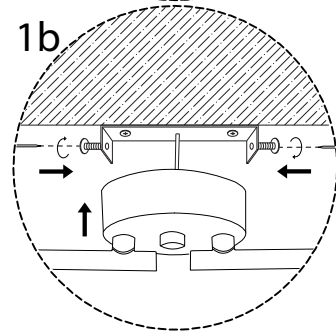
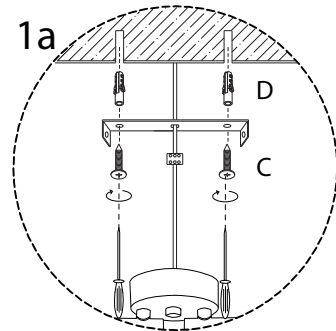
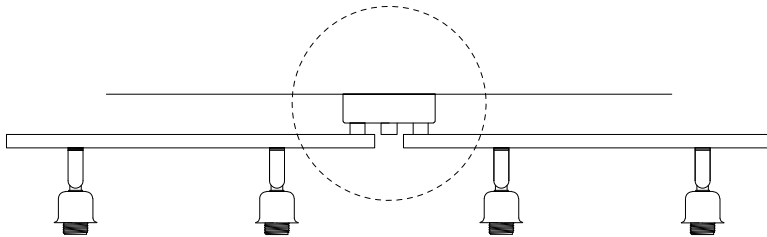
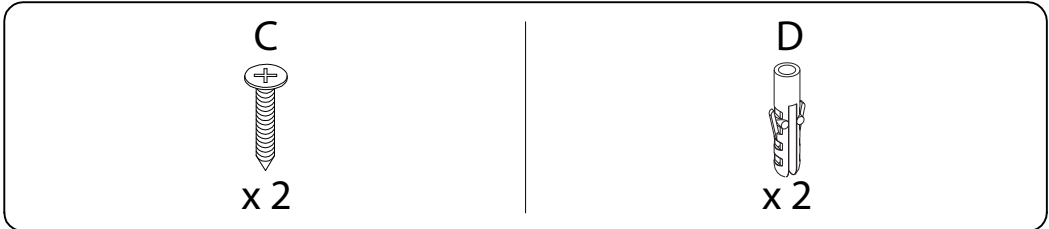
<p>A</p>  <p>x 1</p>	<p>B</p>  <p>x 4</p>	<p>C</p>  <p>x 2</p>	<p>D</p>  <p>x 2</p>
---	---	---	---



1

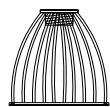


2

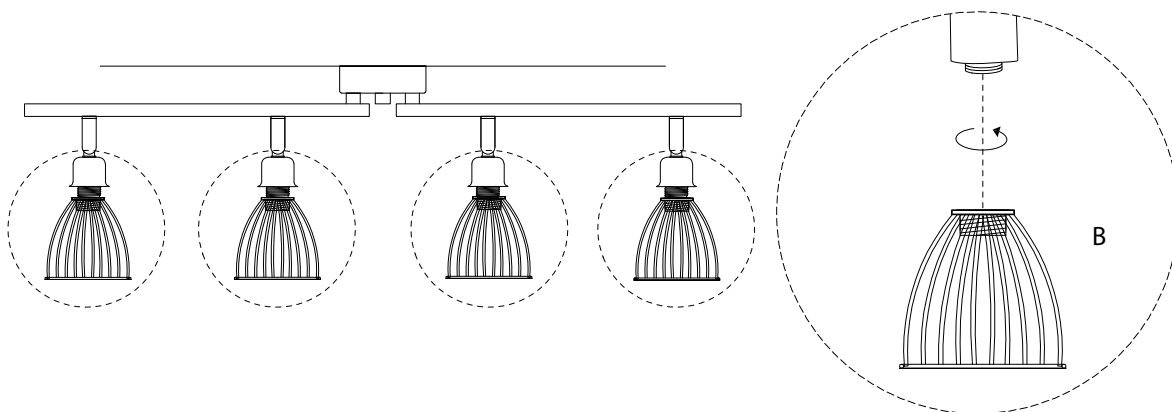


3

B



x 4



4

