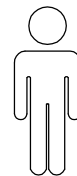
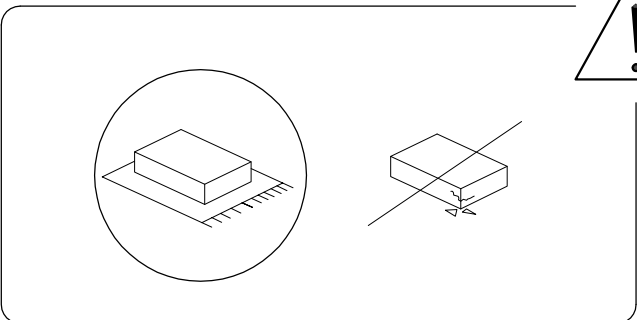
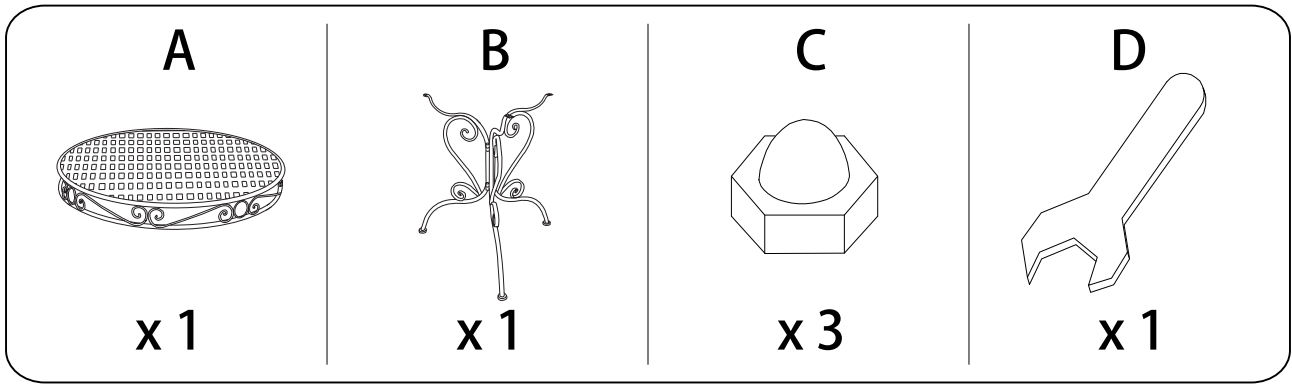


10'

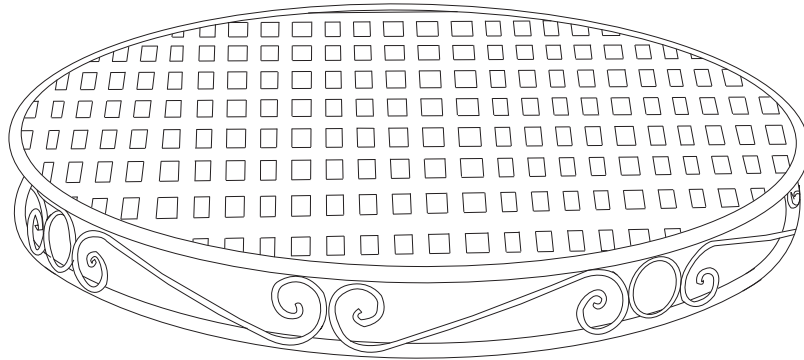


1

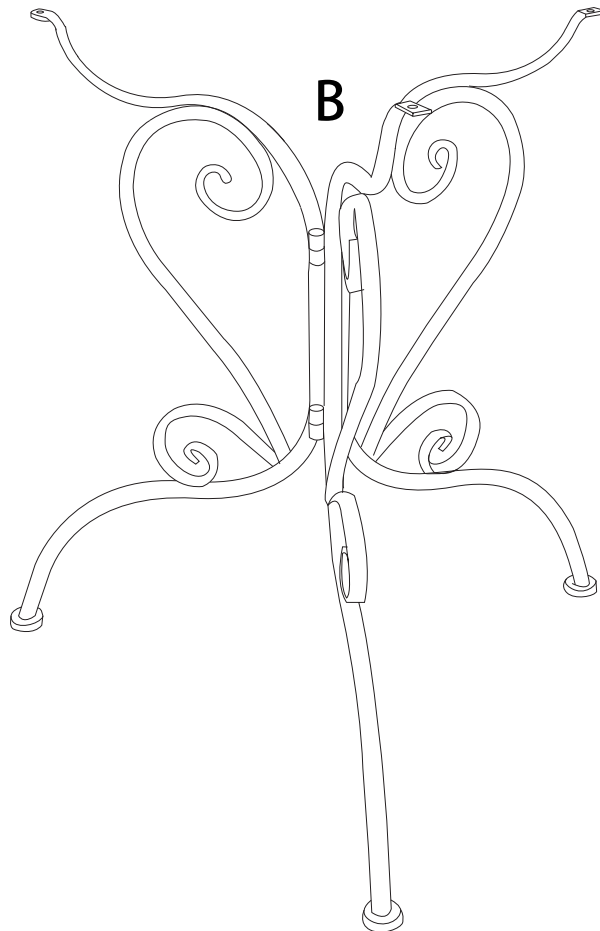
1/3



**A**



**B**



1

