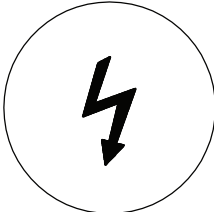
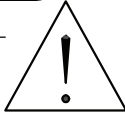

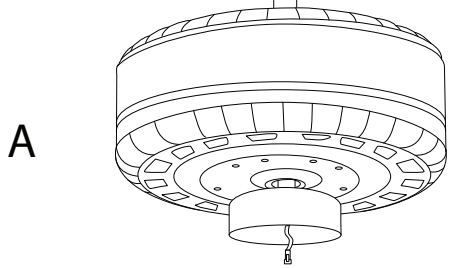
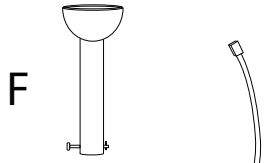
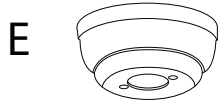
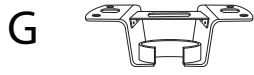
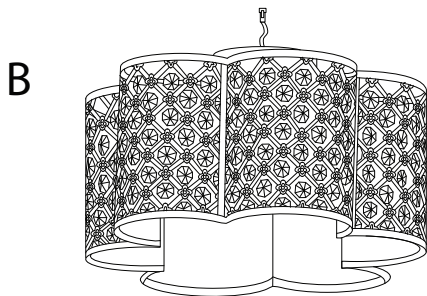
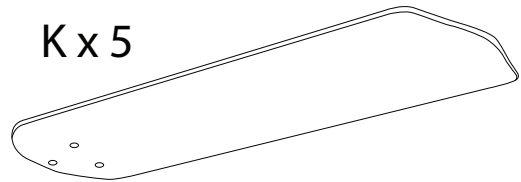

		80'
		
		1



K x 5

C x 5



U x 7




T x 12

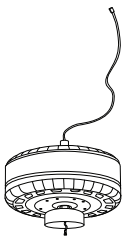


S x 18



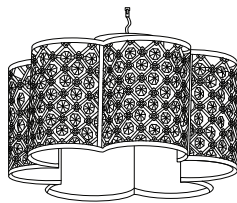
R x 37 

A



x 1

B



x 1

C



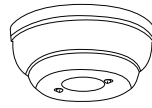
x 5

D



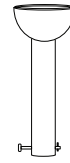
x 1

E



x 1

F



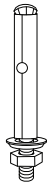
x 1

G



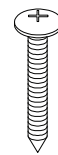
x 1

H



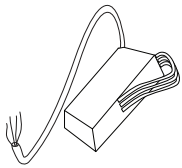
x 2

I



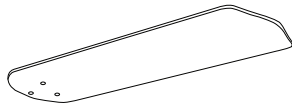
x 4

J



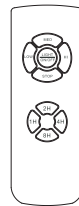
x 1

K



x 5

L



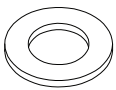
x 1

M



x 15

N



x 15

O



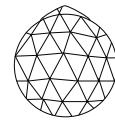
x 2

P



x 10

R



x 37

S



x 18

T

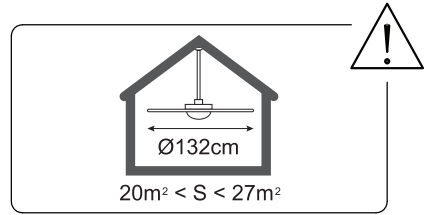
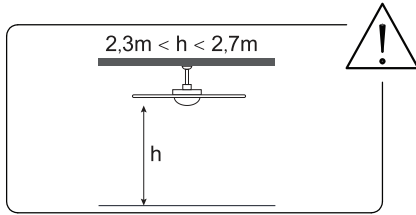
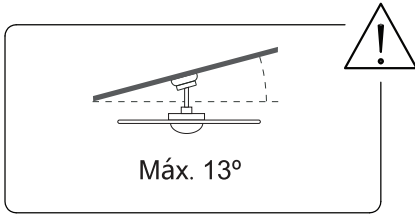
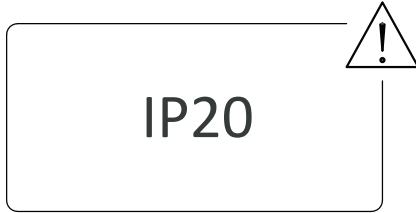
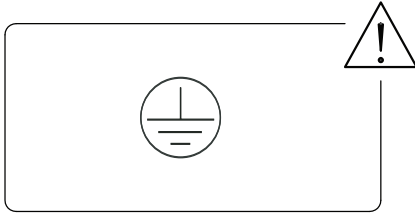
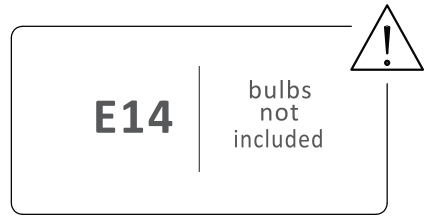
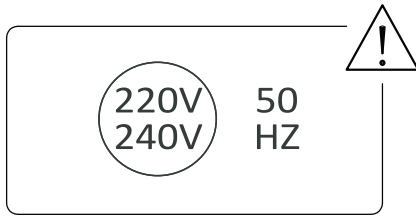


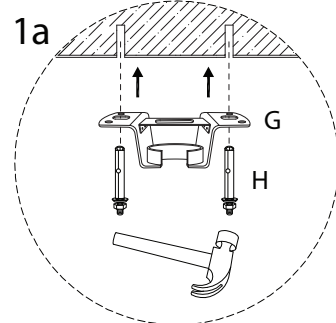
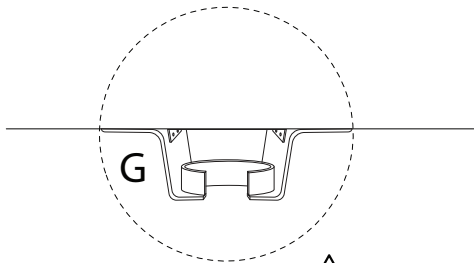
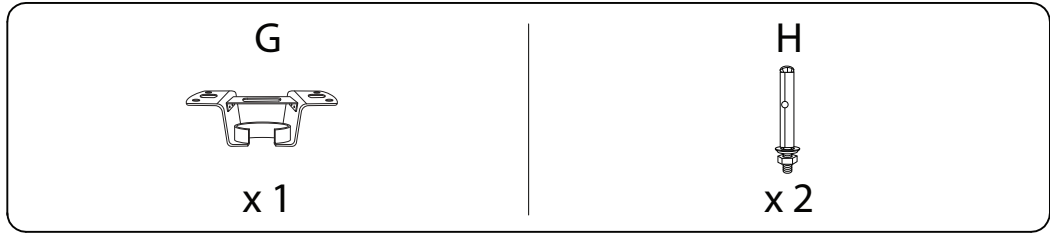
x 12

U

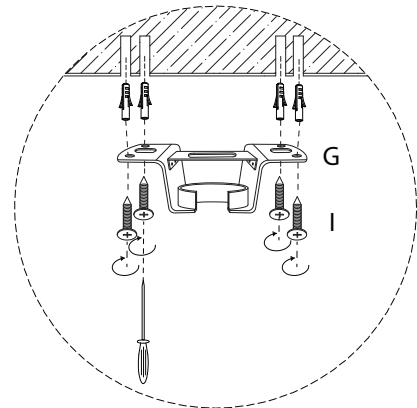
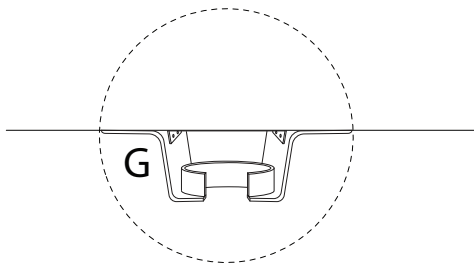
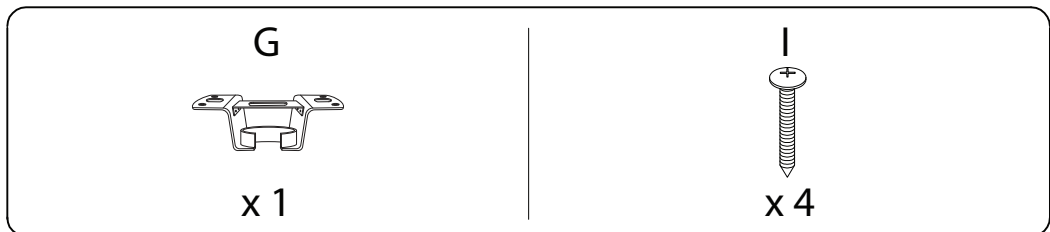
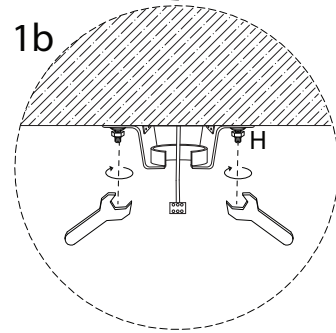
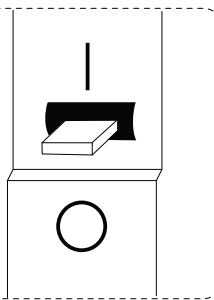


x 7

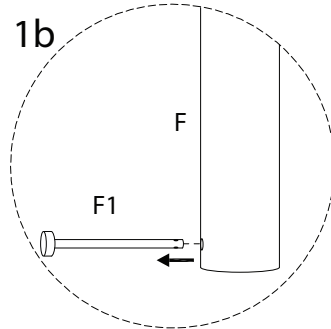
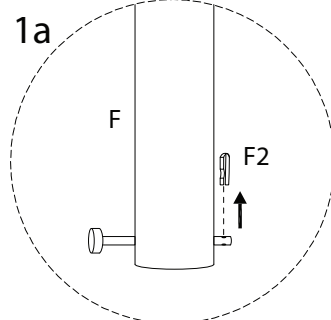
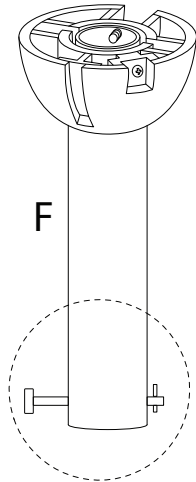
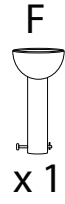




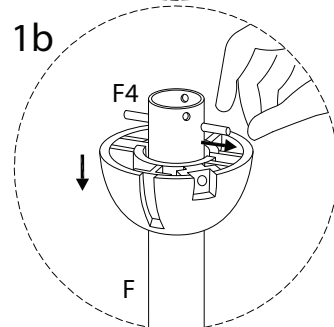
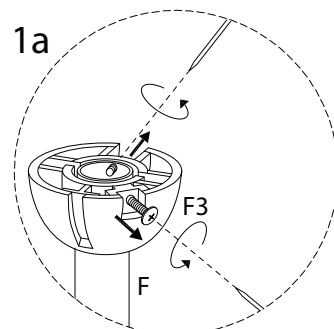
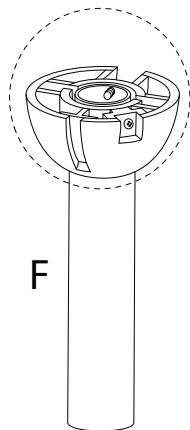
OFF



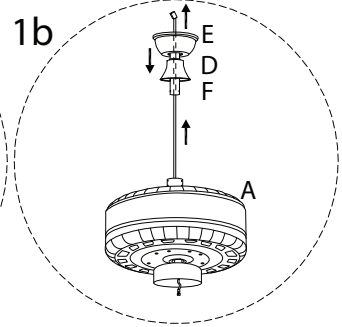
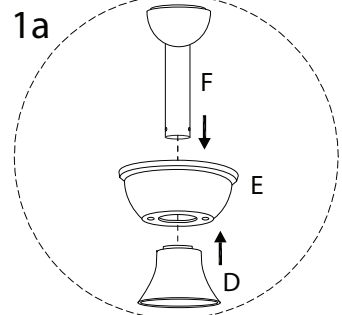
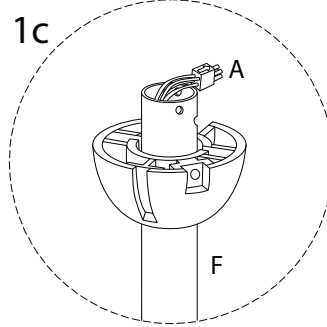
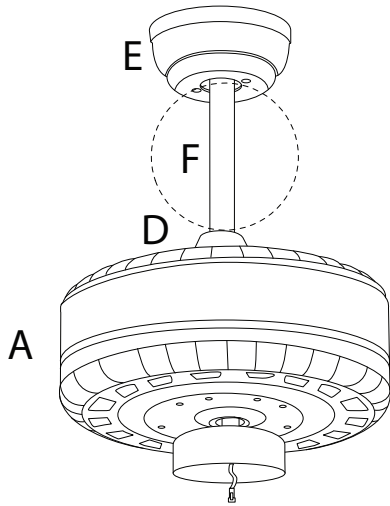
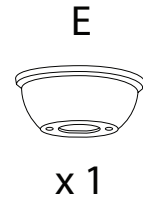
1



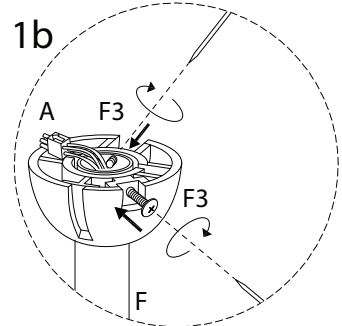
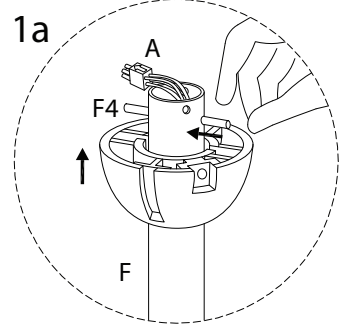
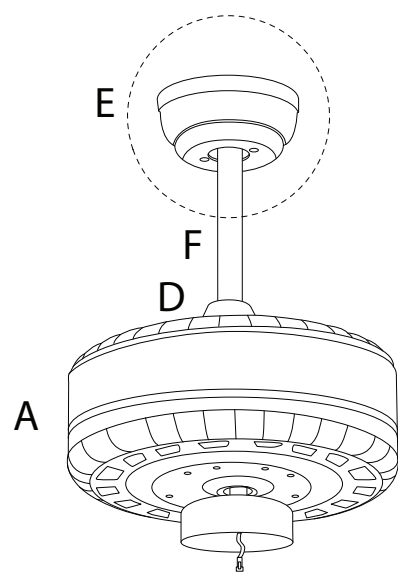
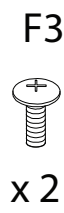
2



3



4



5

F1

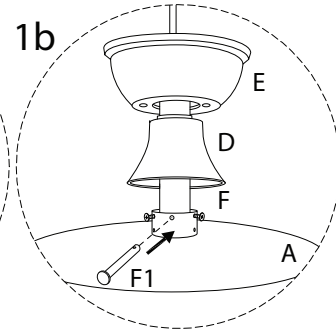
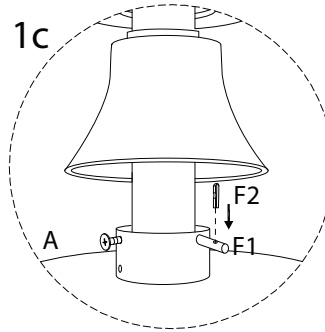
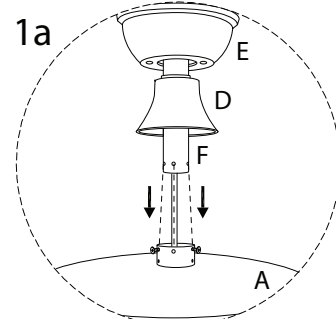
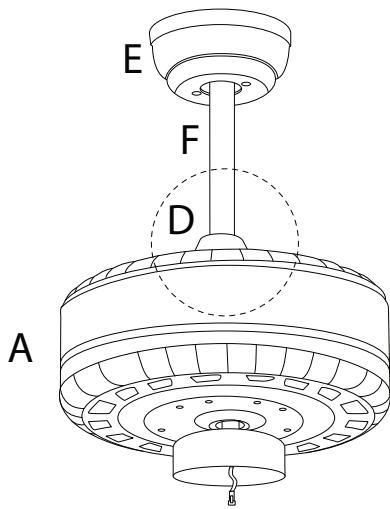


x 1

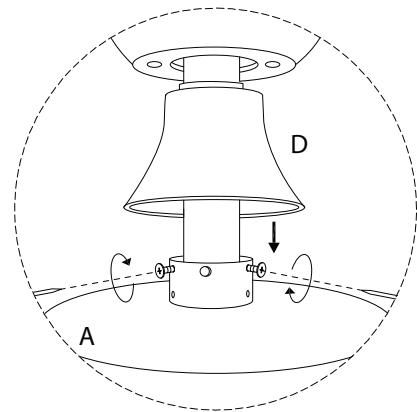
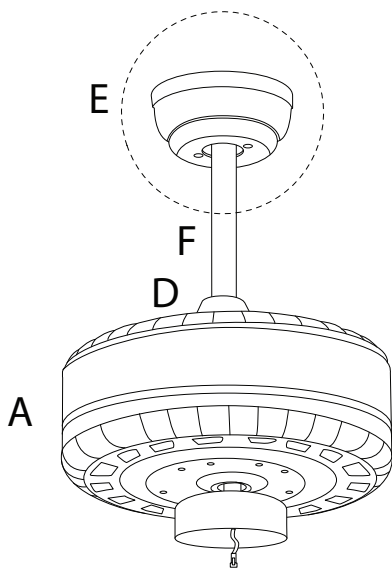
F2



x 1

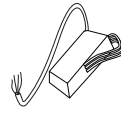


6

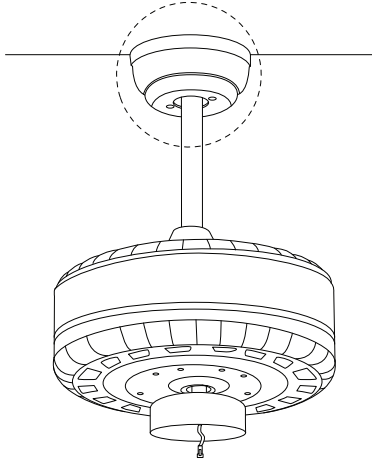


7

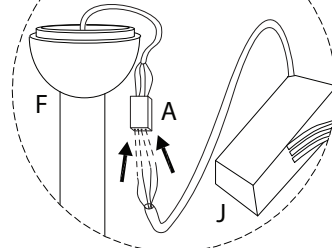
J



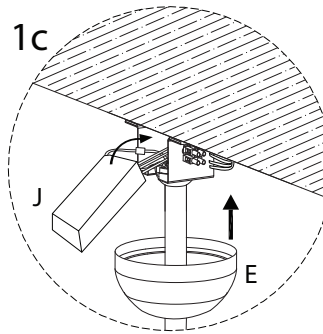
x 1



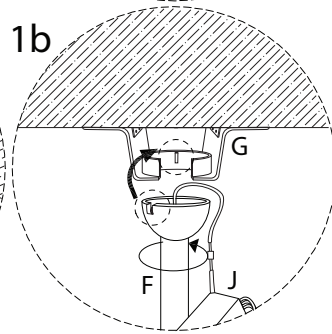
1a



1c



1b

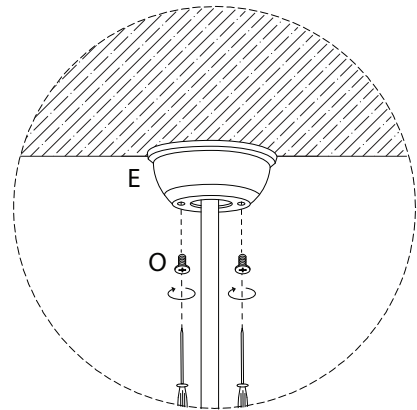
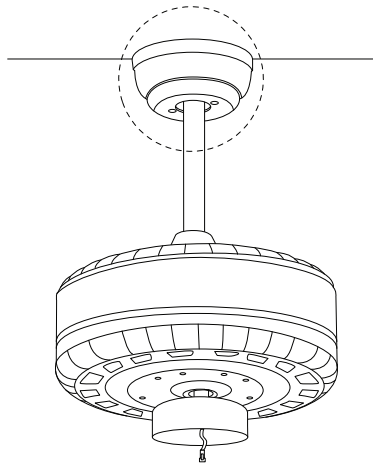


8

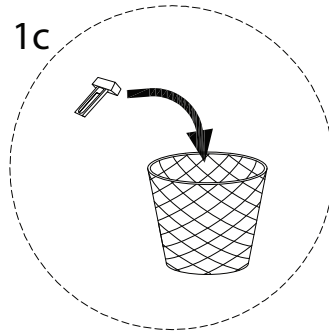
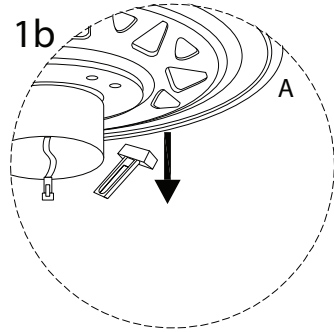
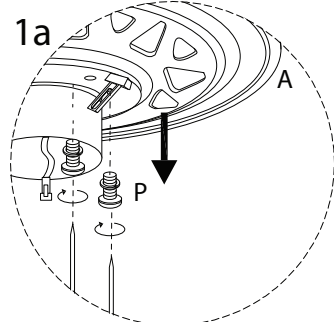
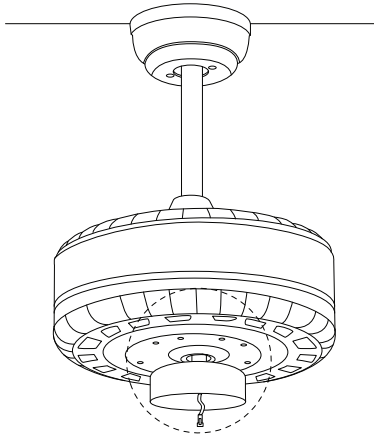
O




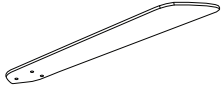
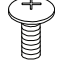
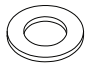
x 2

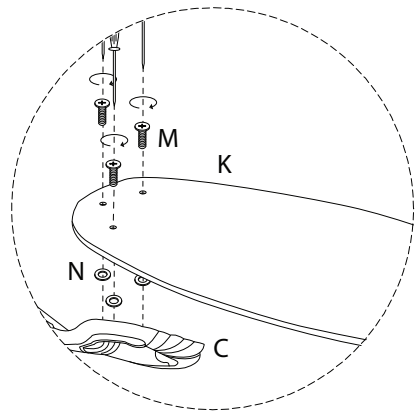
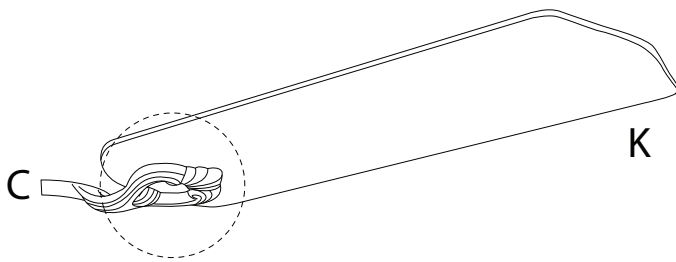


9



10

<p>C</p>  <p>x 5</p>	<p>K</p>  <p>x 5</p>	<p>M</p>  <p>x 15</p>	<p>N</p>  <p>x 15</p>
---	---	---	--

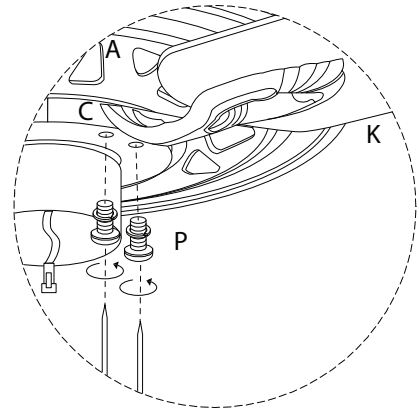
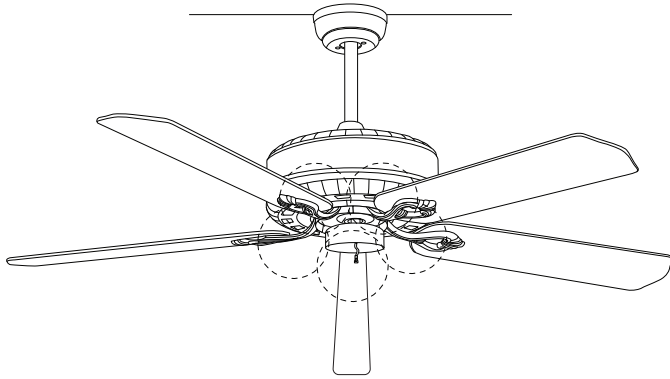


11

P

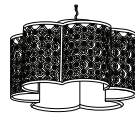


x 10

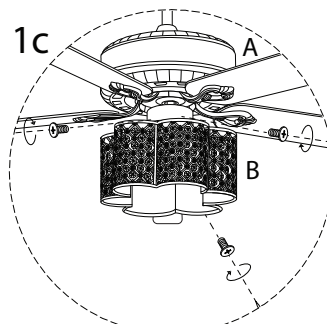
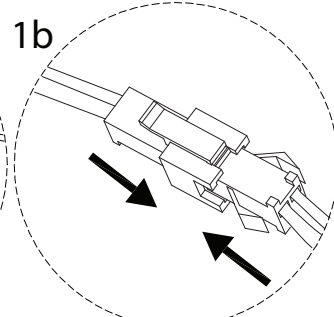
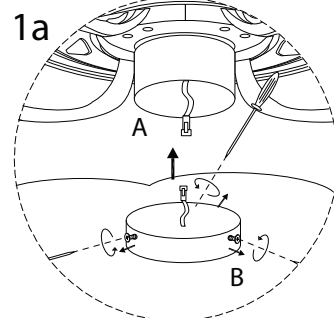
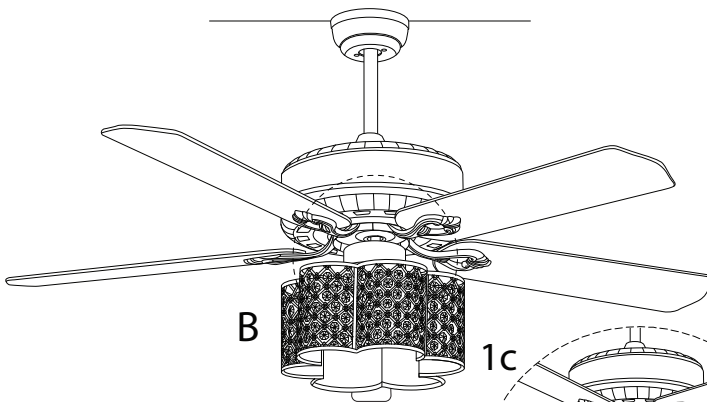


12

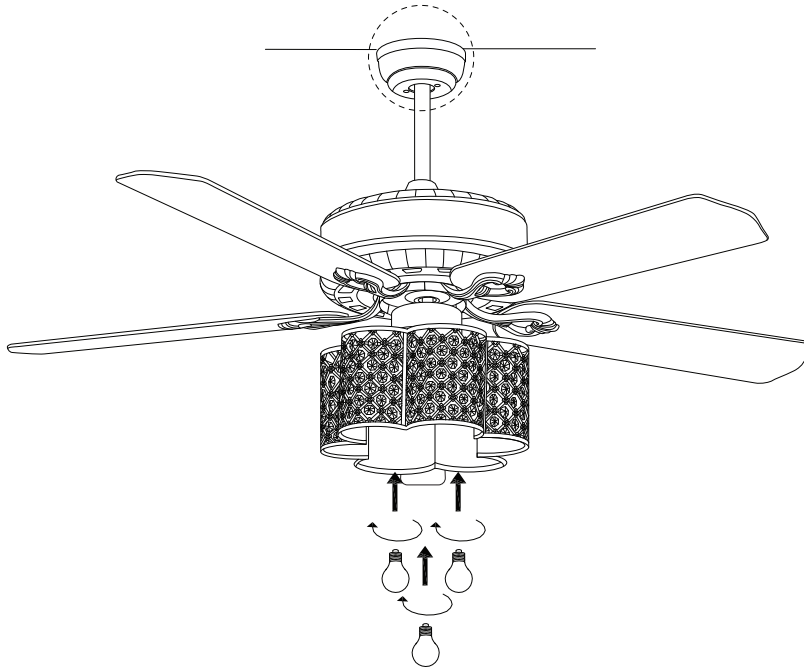
B



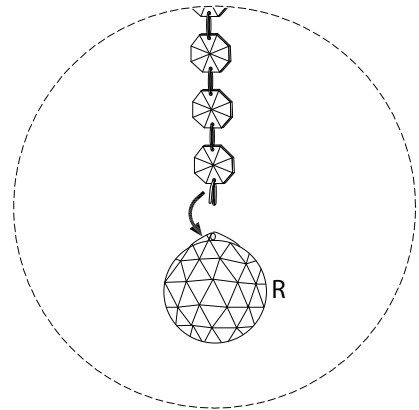
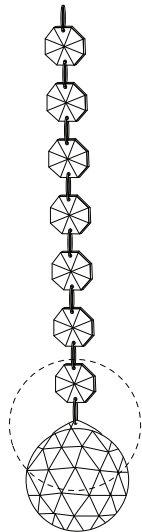
x 1



13



!



14

R

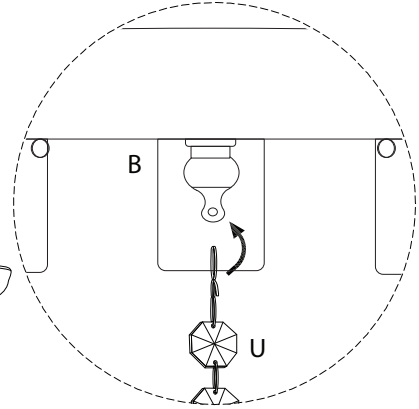
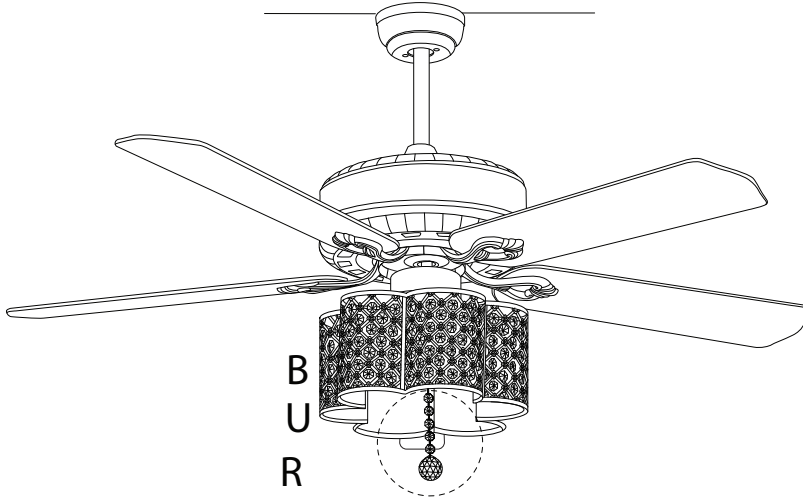


x 1

U

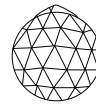


x 1



15

R

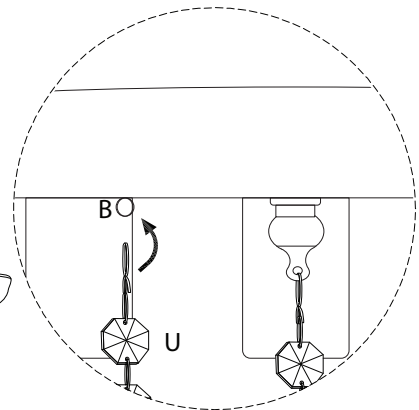
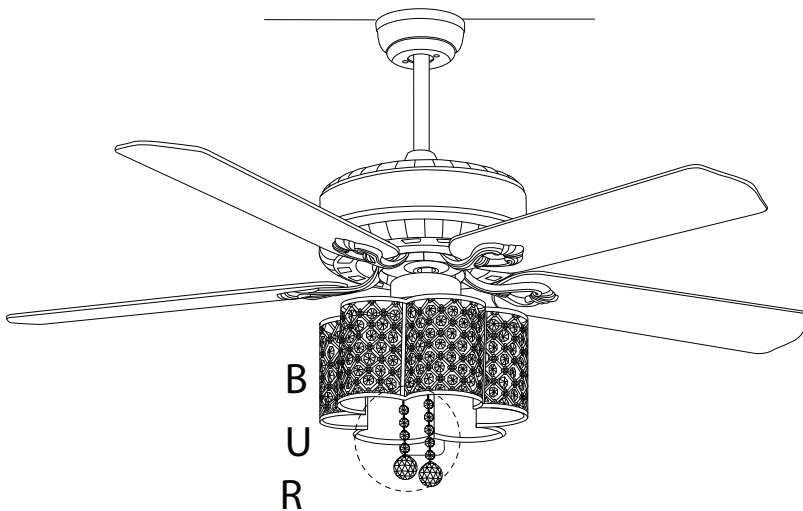


x 6

U



x 6



16

R

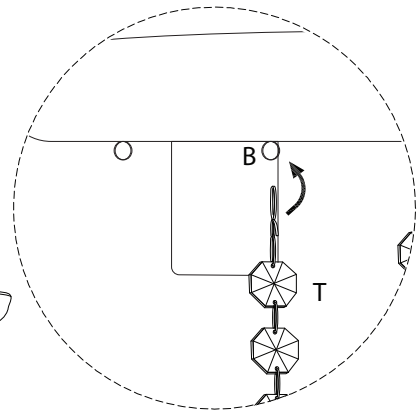
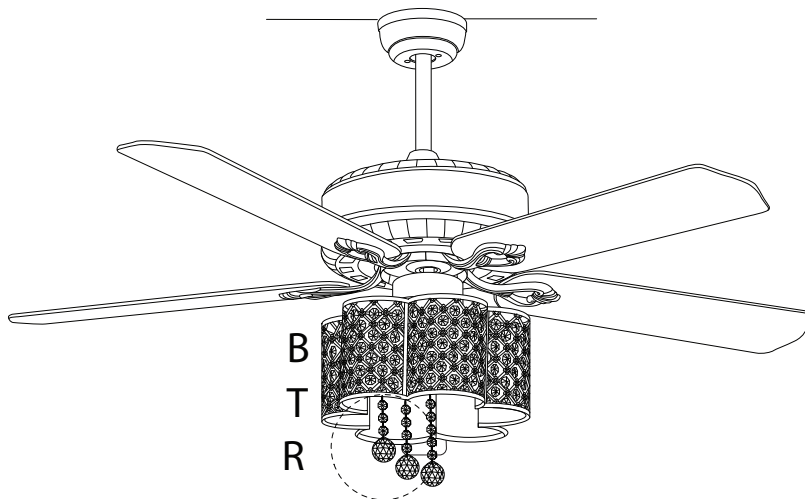


x 12

T



x 12



17

R



x 18

S



x 18

