

E



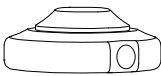
x 1

F



x 1

G



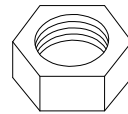
x 1

H



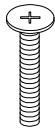
x 4

I



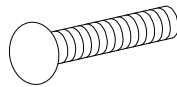
x 1

J



x 1

K



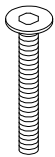
x 1

L



x 1

M



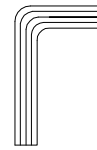
x 1

N

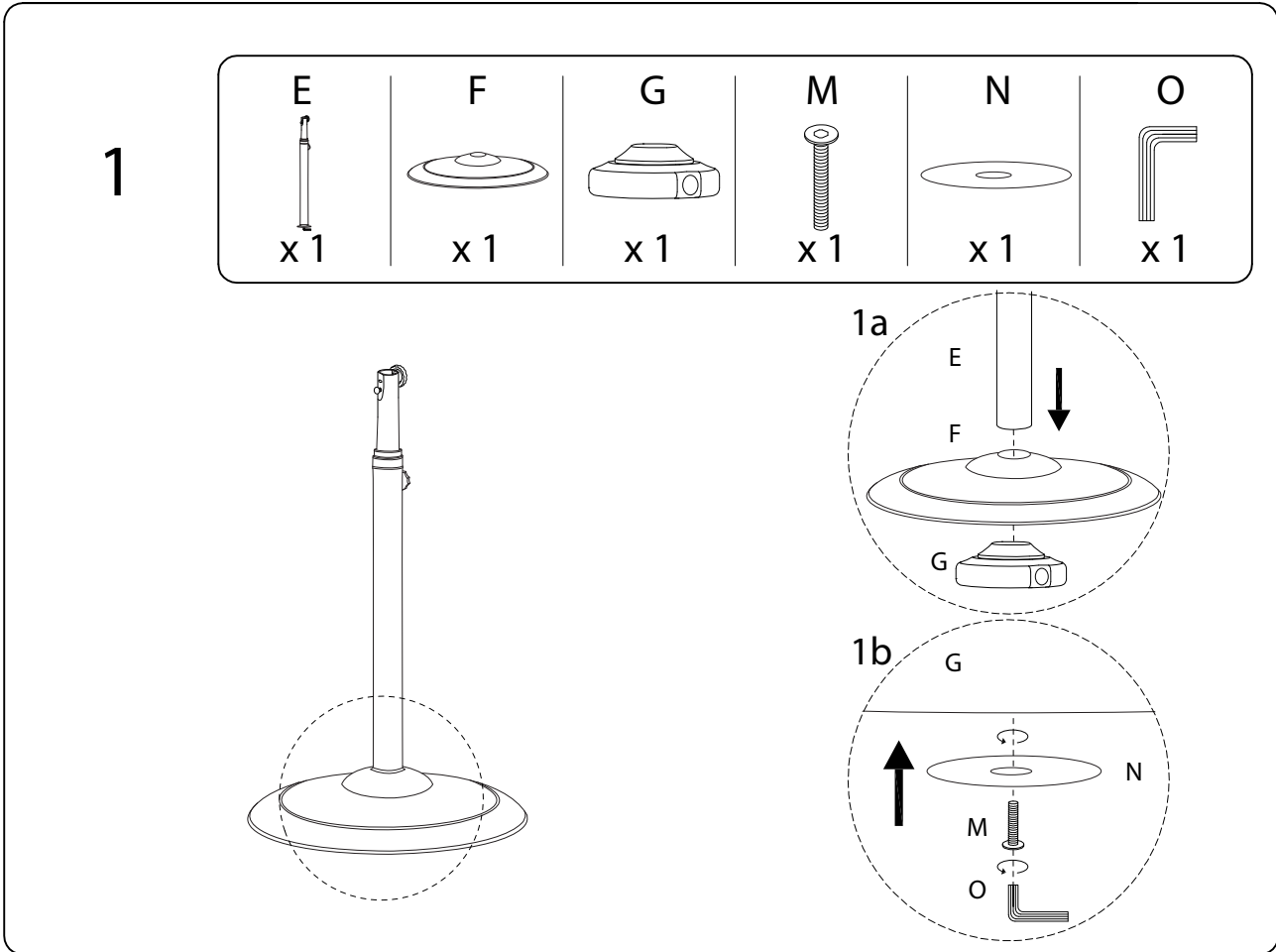
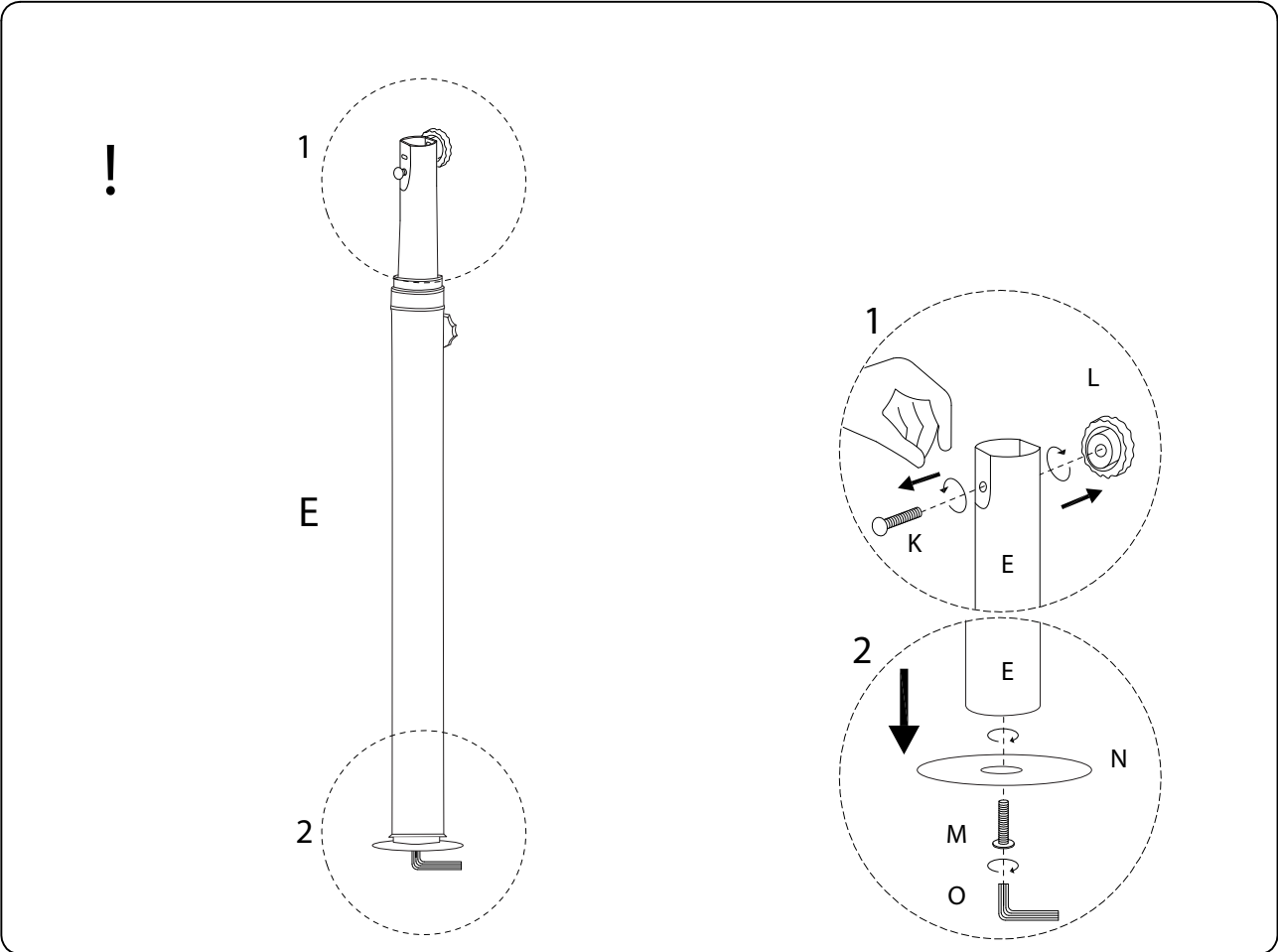


x 1

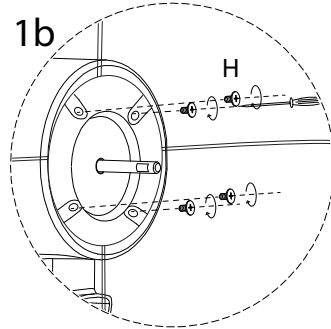
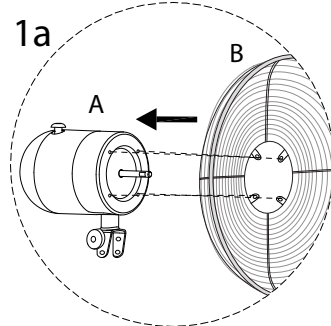
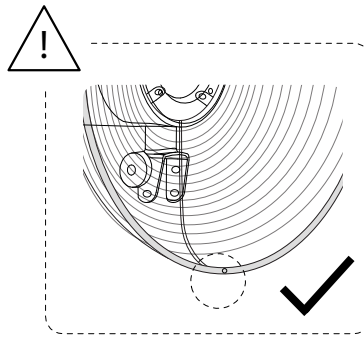
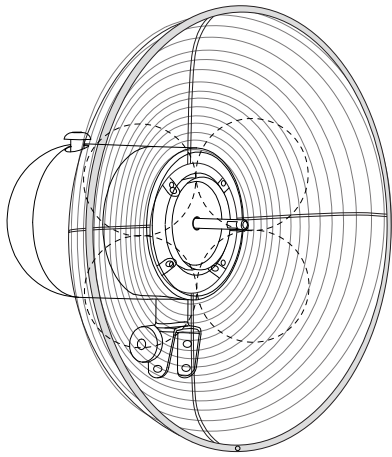
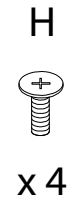
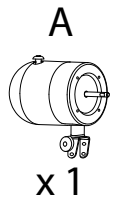
O



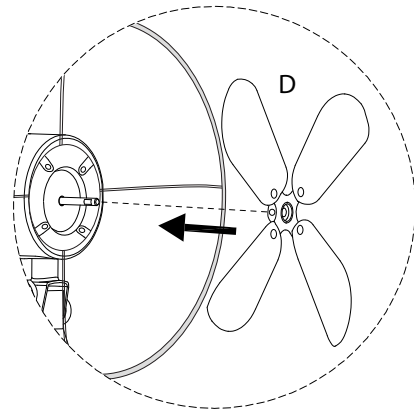
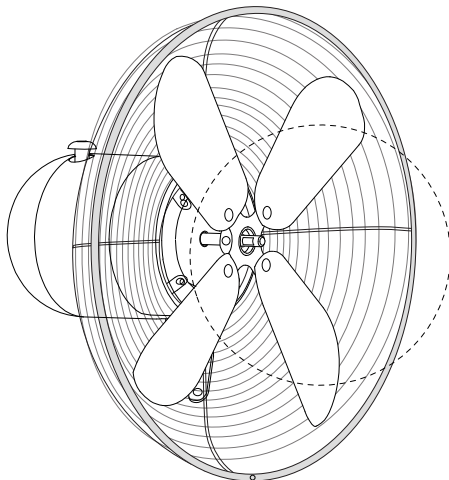
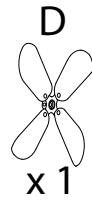
x 1



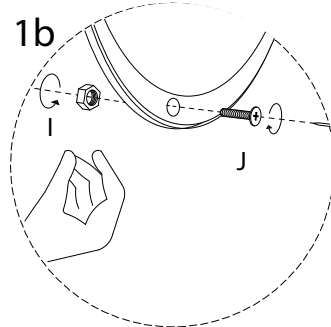
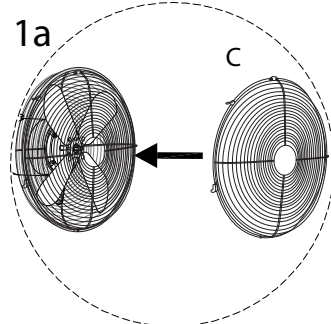
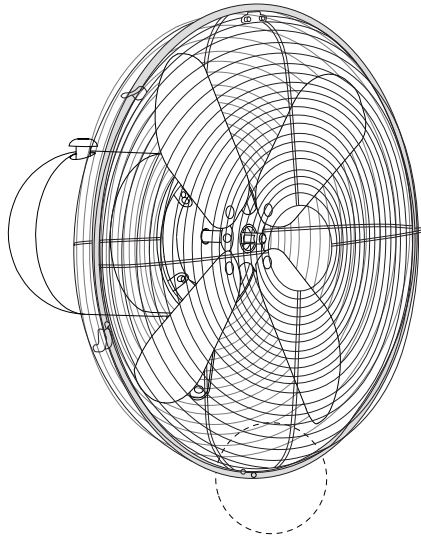
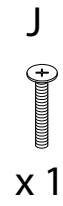
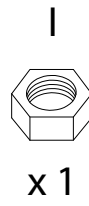
2



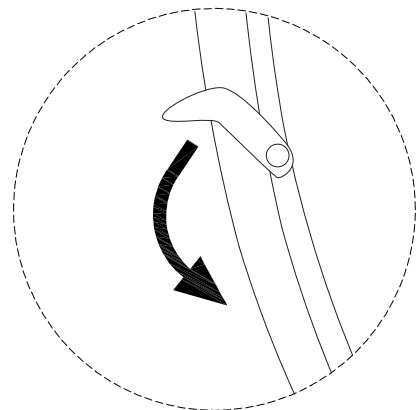
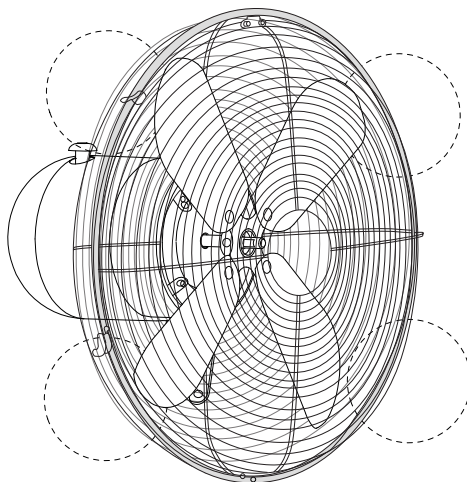
3



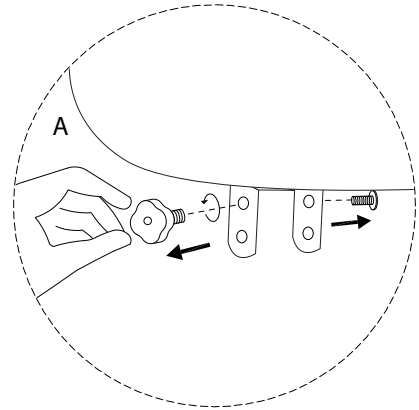
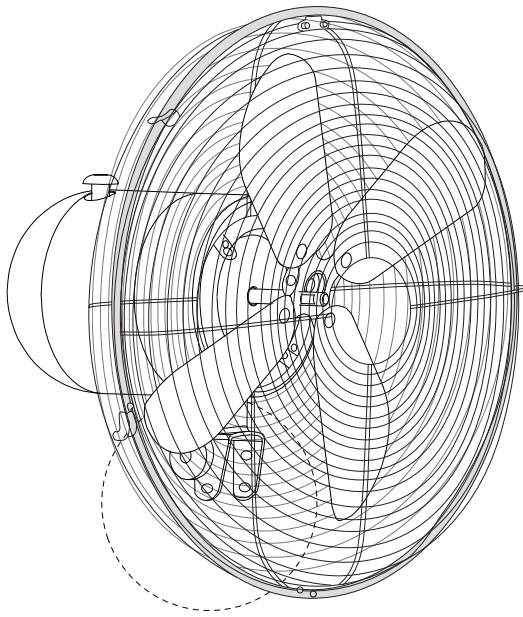
4



5

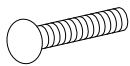


6



7

K

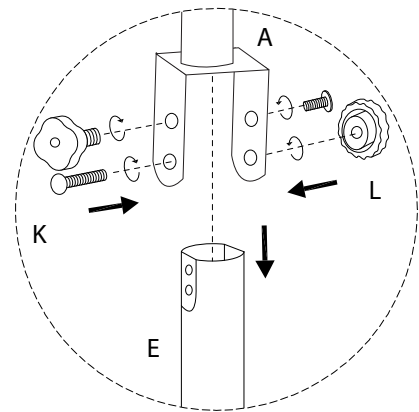
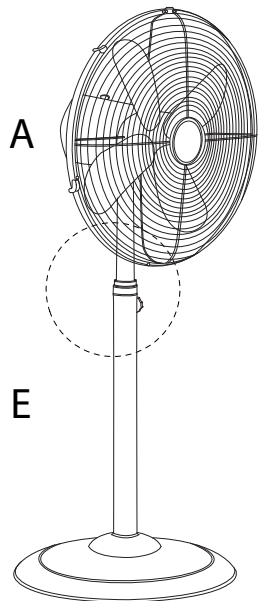


x 1

L



x 1



!

