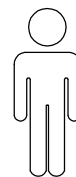
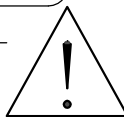
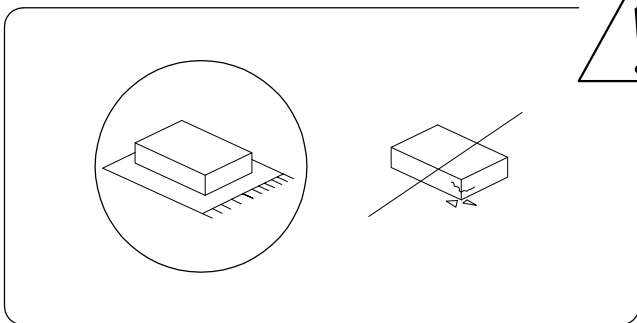
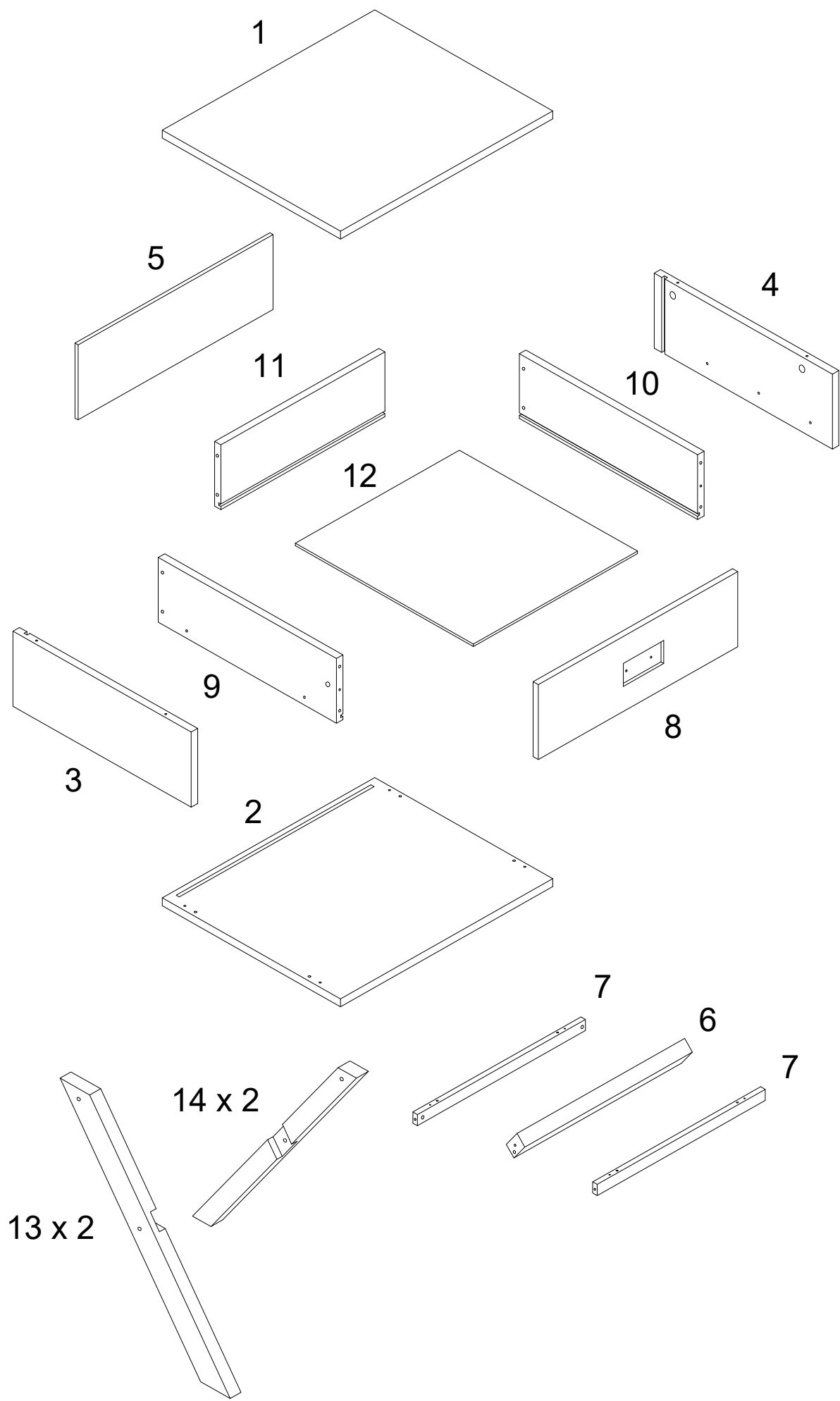


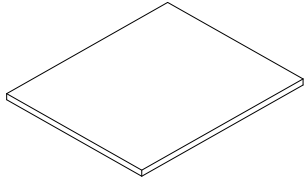
60'



1

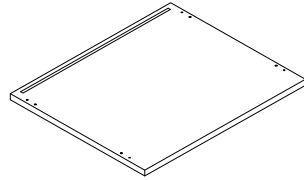


1



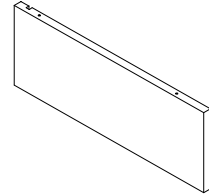
x 1

2



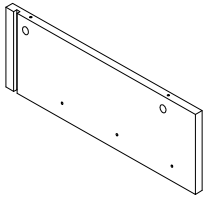
x 1

3



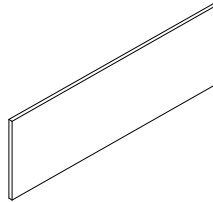
x 1

4



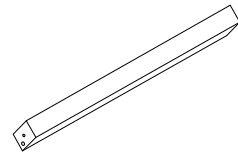
x 1

5



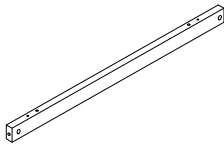
x 1

6



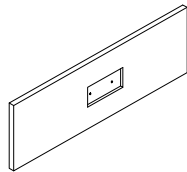
x 1

7



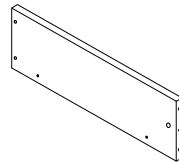
x 2

8



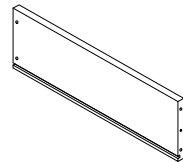
x 1

9



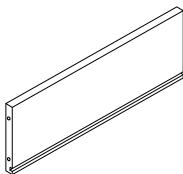
x 1

10



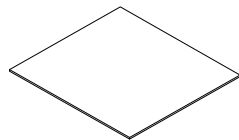
x 1

11



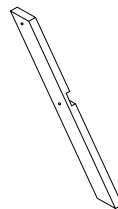
x 1

12



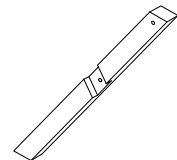
x 1

13



x 2

14



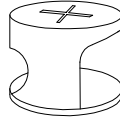
x 2

A



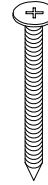
x 6

B



x 6

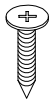
C



4  
x  
35

x 12

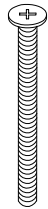
D



3  
x  
12

x 10

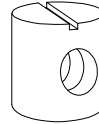
E



M6  
x  
55

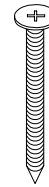
x 4

F



x 4

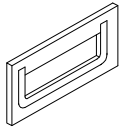
G



4  
x  
40

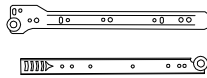
x 2

H



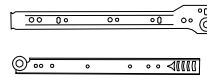
x 1

I



x 1

J



x 1

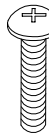
K



Ø6  
x  
30

x 14

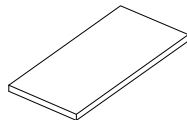
L



4  
x  
14

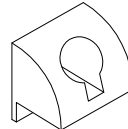
x 2

M



x 4

N



x 4

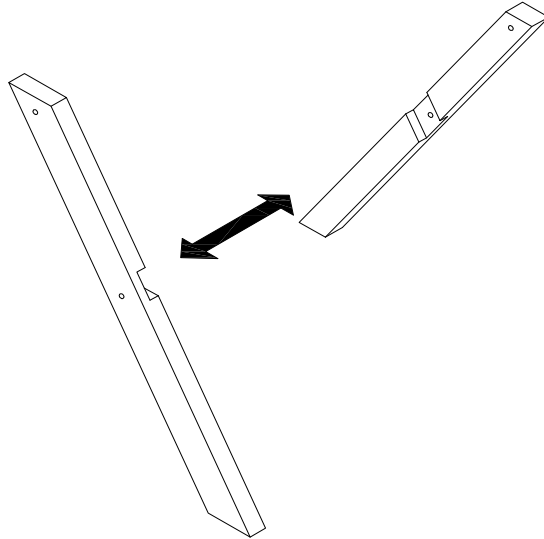
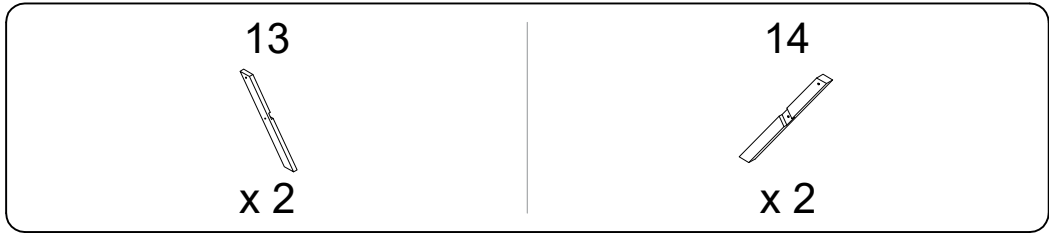
O



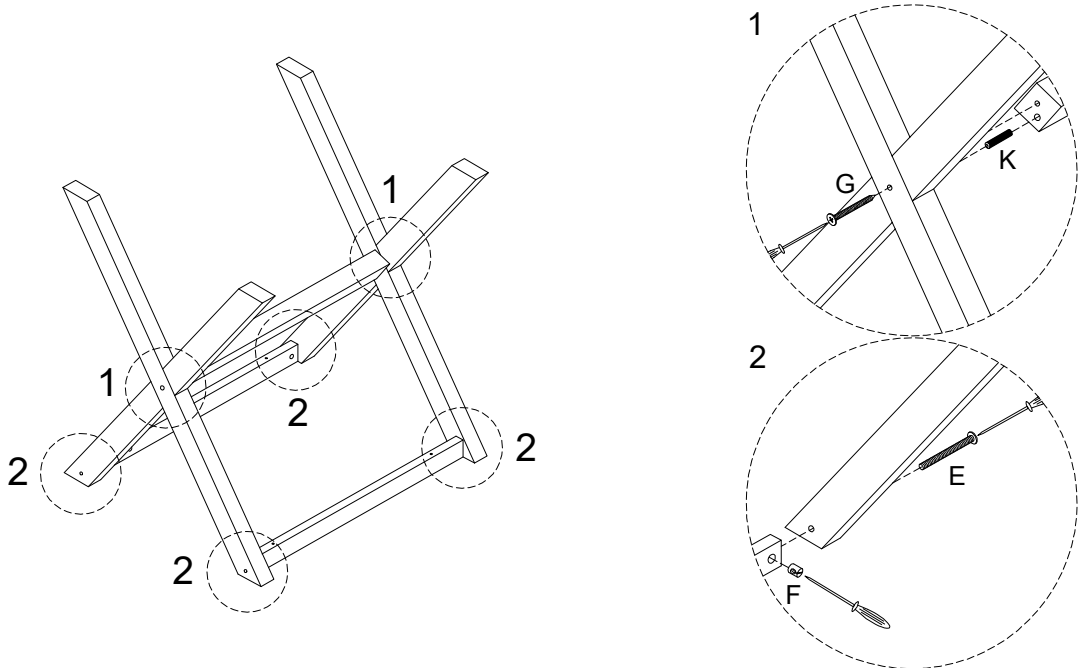
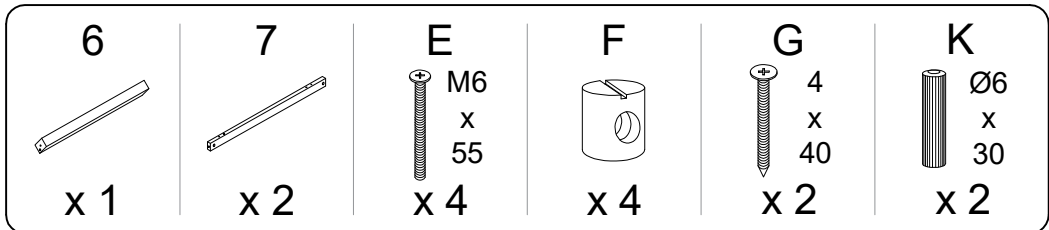
3  
x  
16

x 4

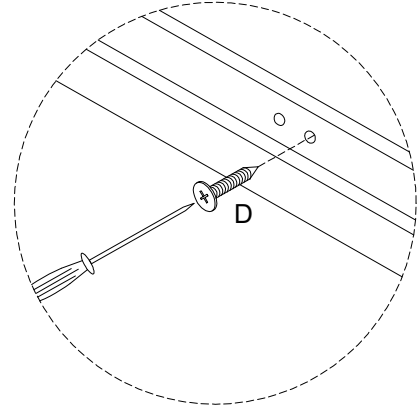
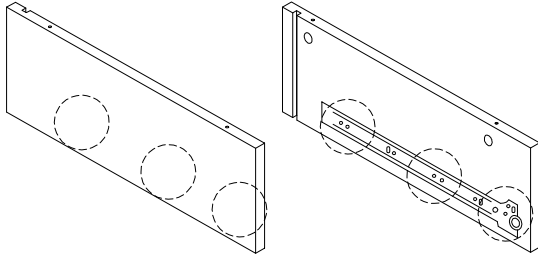
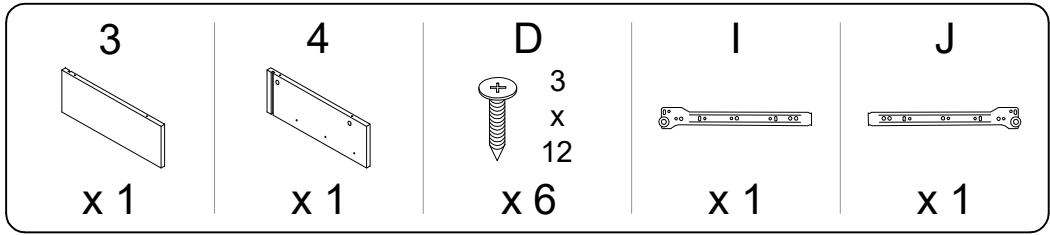
1



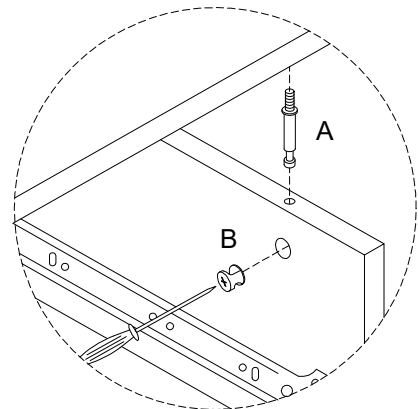
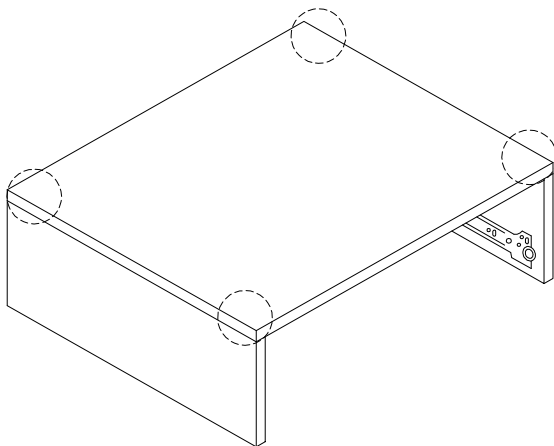
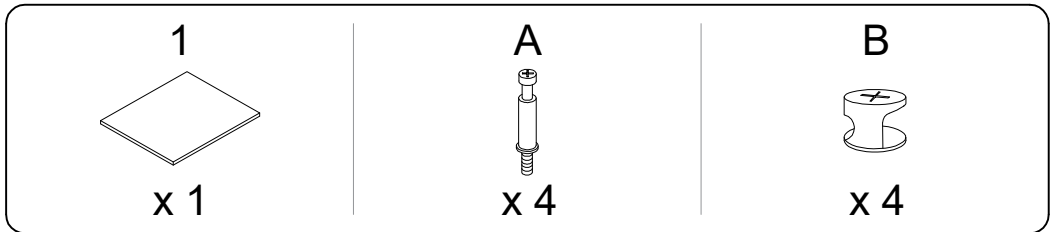
2



3

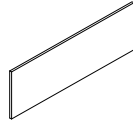


4

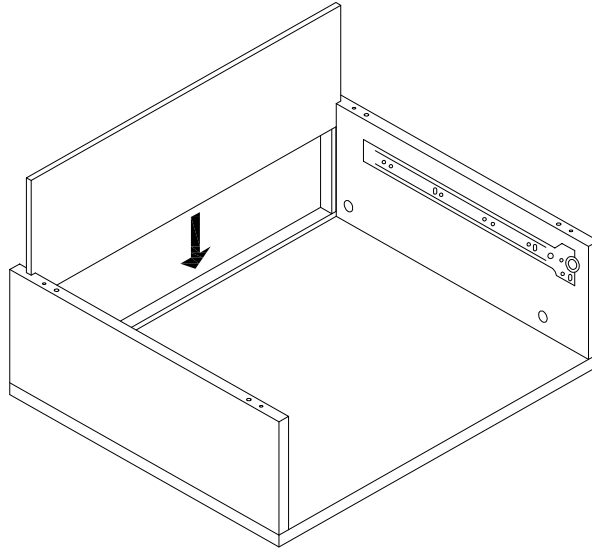


5

5

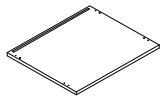


x 1



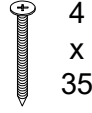
6

2



x 1

C

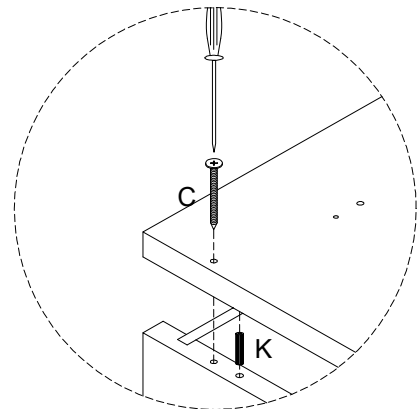
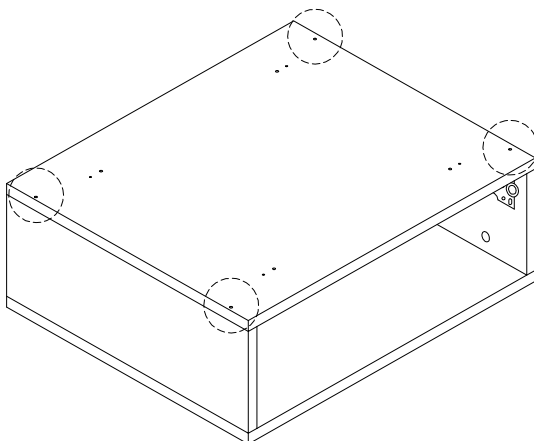


x 4

K



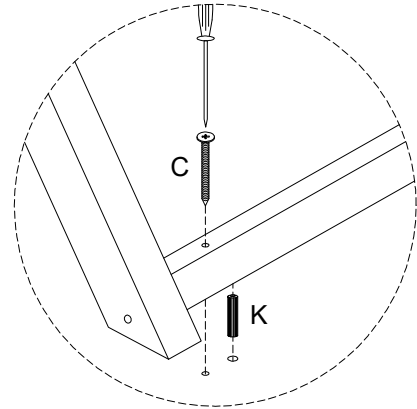
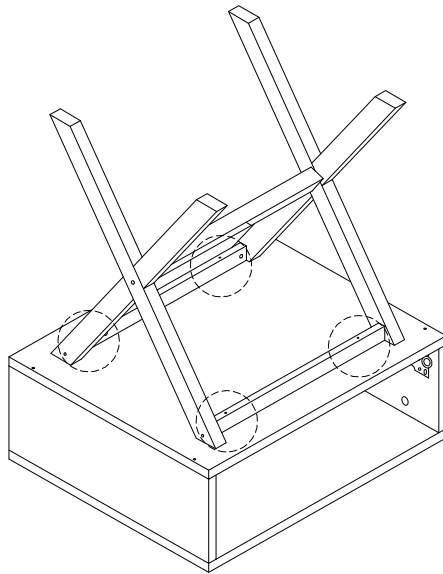
x 4



7

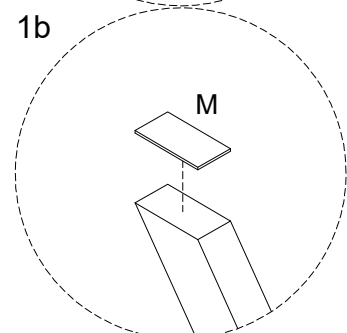
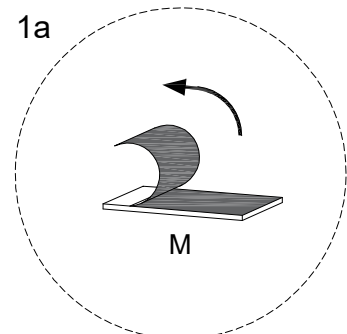
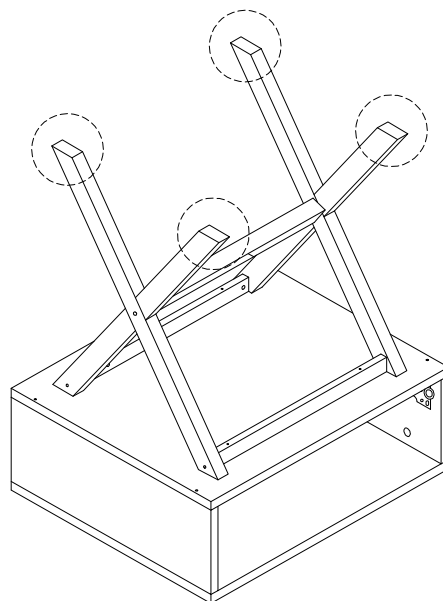
C  
4  
x  
35  
x 4

K  
Ø6  
x  
30  
x 4



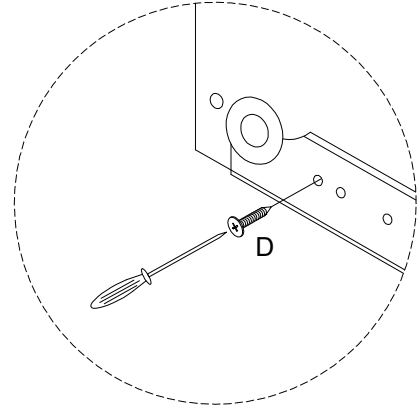
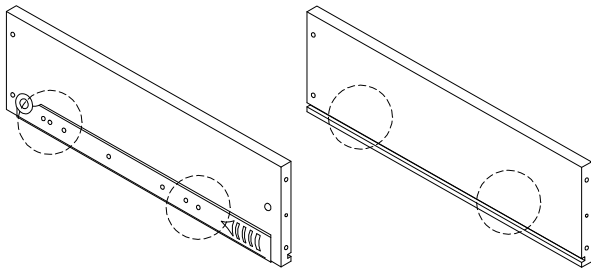
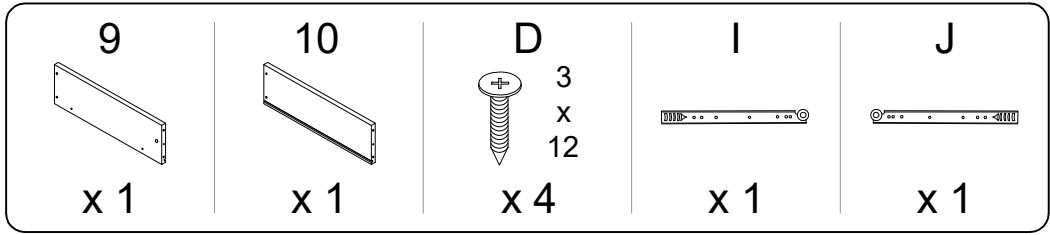
8

M  
x 4

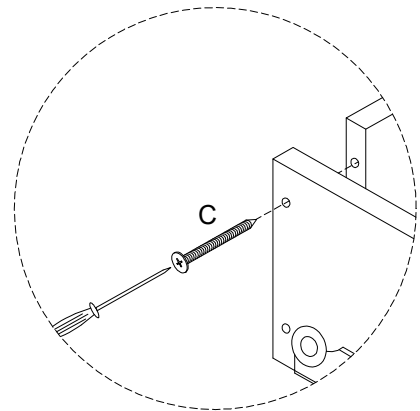
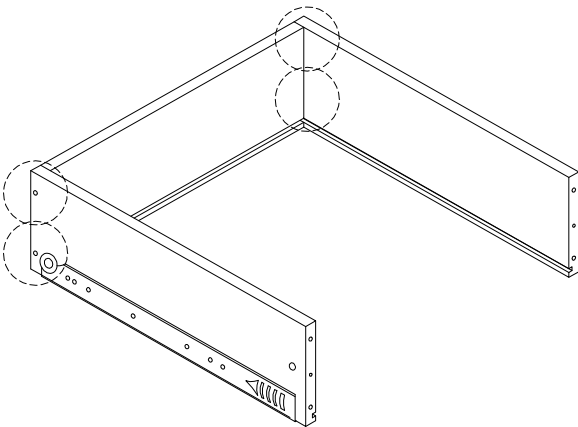
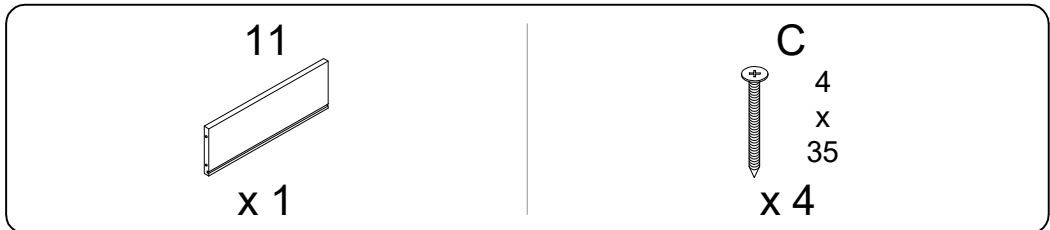




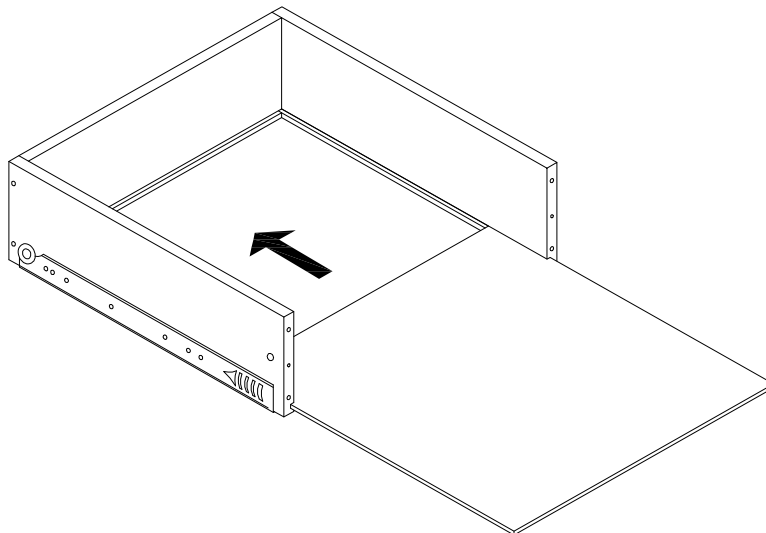
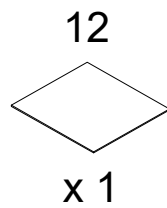
9



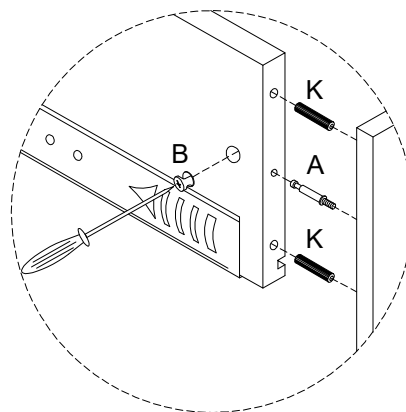
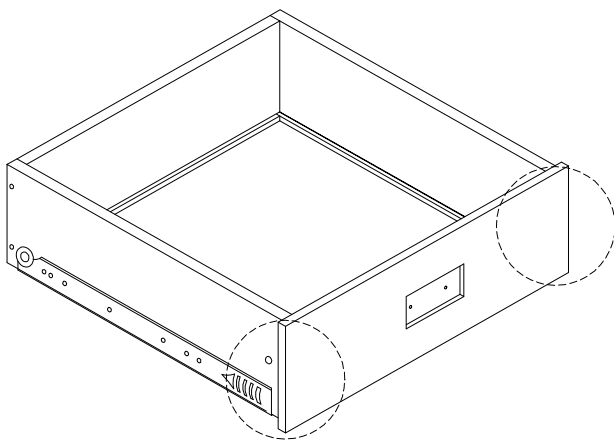
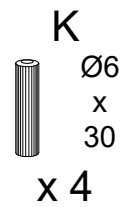
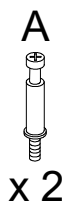
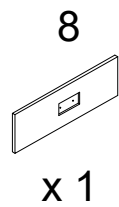
10



11

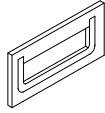


12



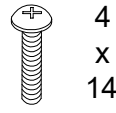
13

H



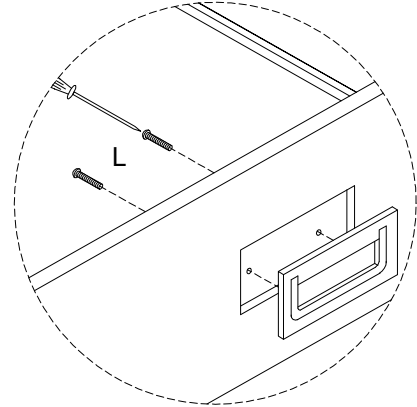
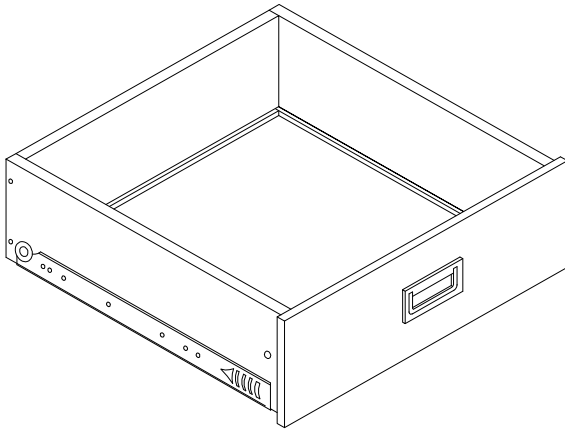
x 1

L



4  
x  
14

x 2



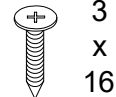
14

N



x 4

O



3  
x  
16

x 4

