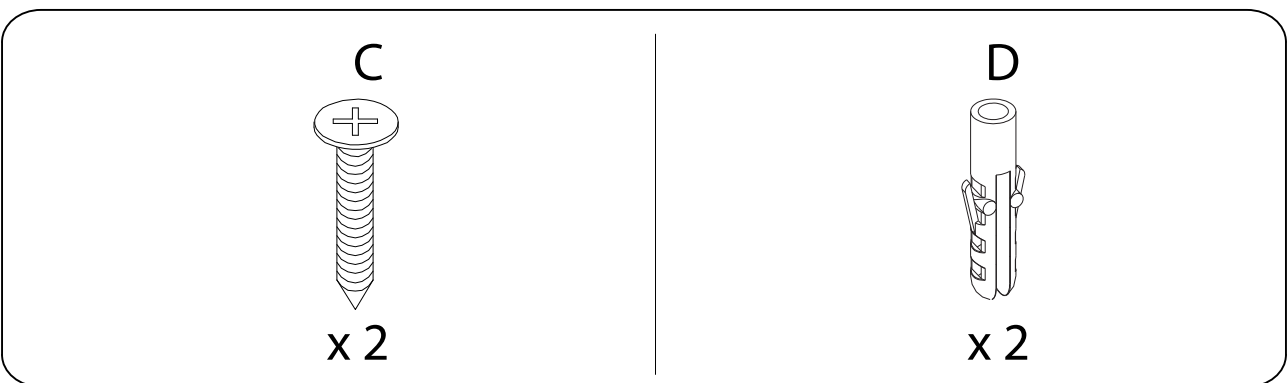
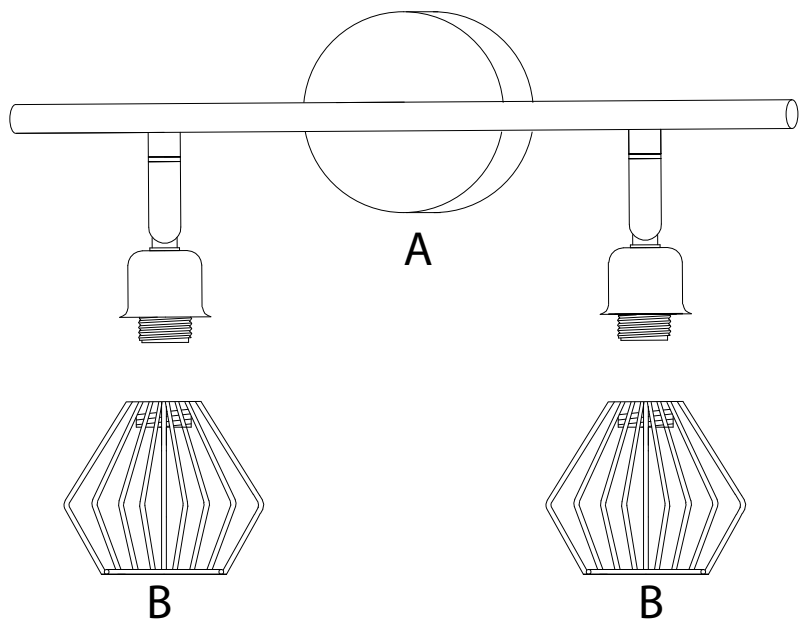
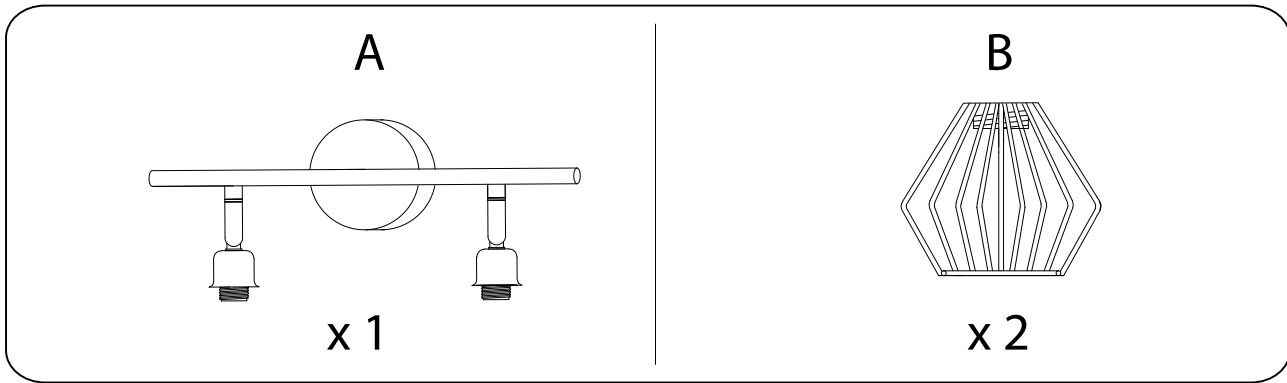
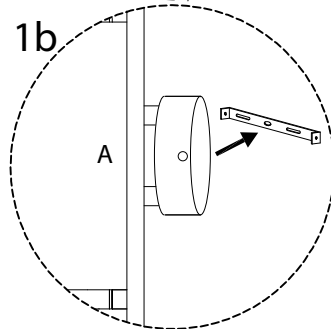
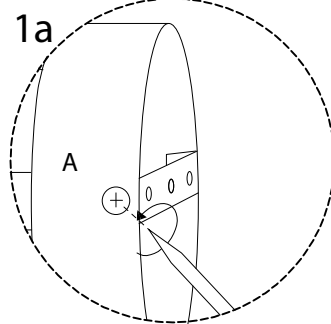
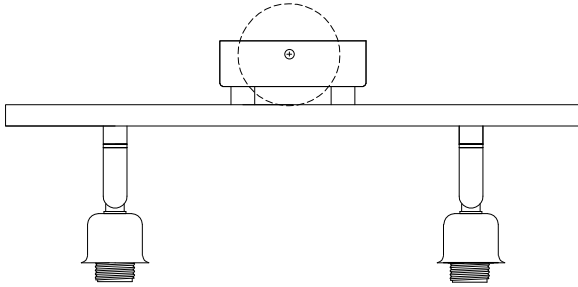
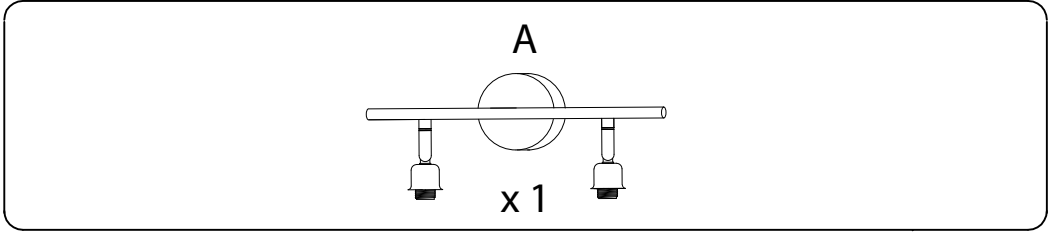


Diagram illustrating the required tools and safety warnings for installation:

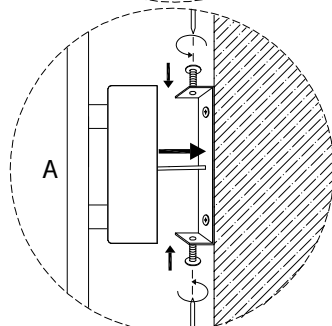
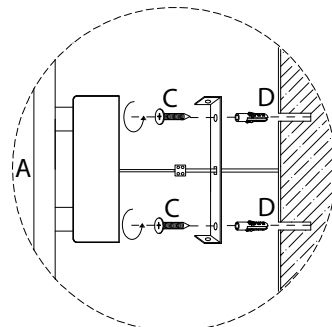
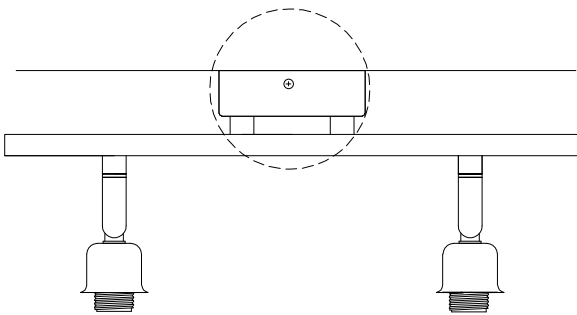
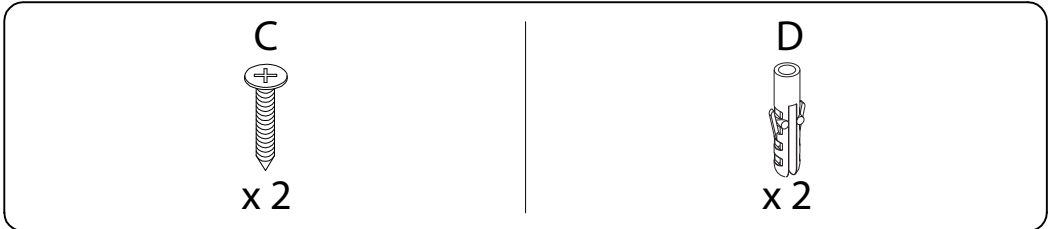
- Tools:** A screwdriver and a power drill are shown in circular icons.
- Warning:** A warning triangle with an exclamation mark is positioned above the tools.
- Time:** A clock icon indicates a 15-minute installation time.
- Personnel:** A person icon indicates that 1 person is required for installation.
- Warning:** A second warning triangle with an exclamation mark is positioned above the person icon.
- Material:** A circular icon shows a rectangular block being placed on a surface. A second circular icon shows the same block with a diagonal line through it, indicating that the surface must be flat and level.



1



2



3

