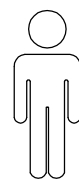
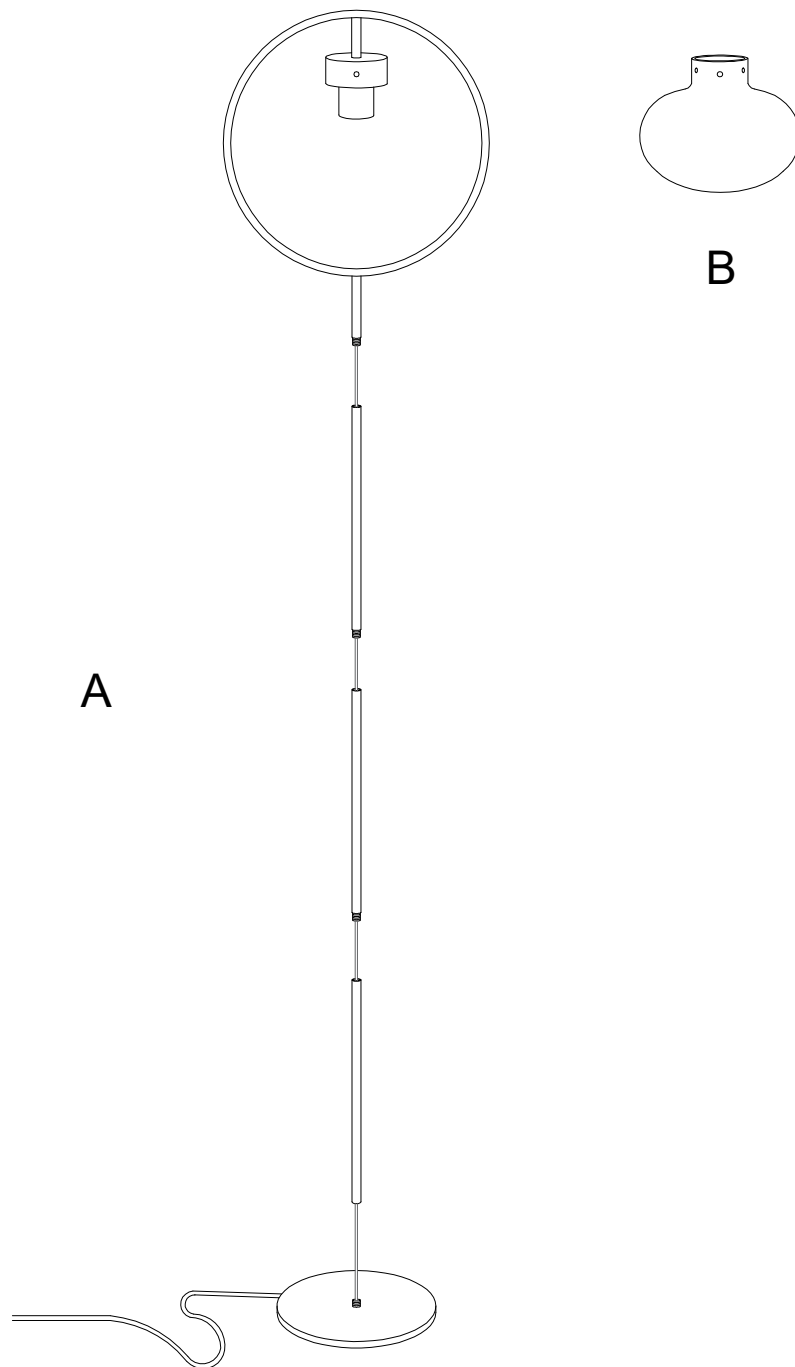
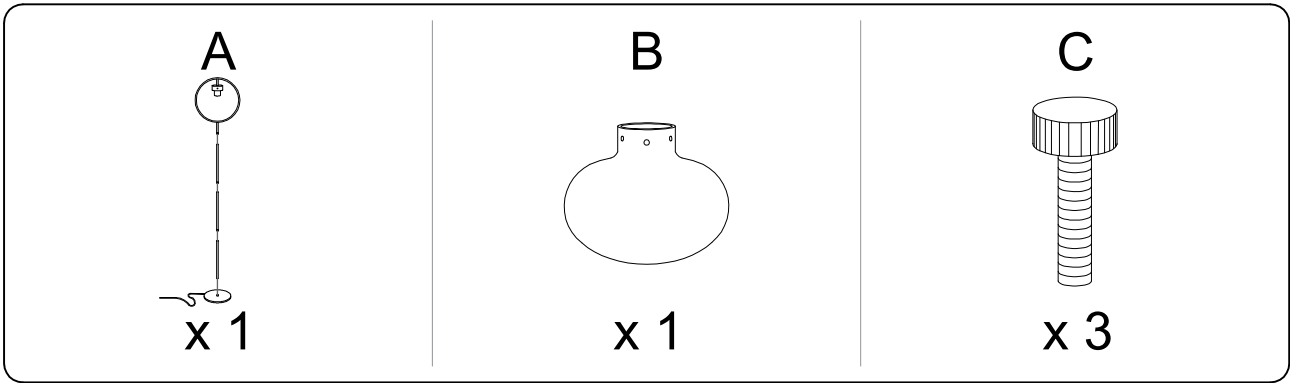


10'

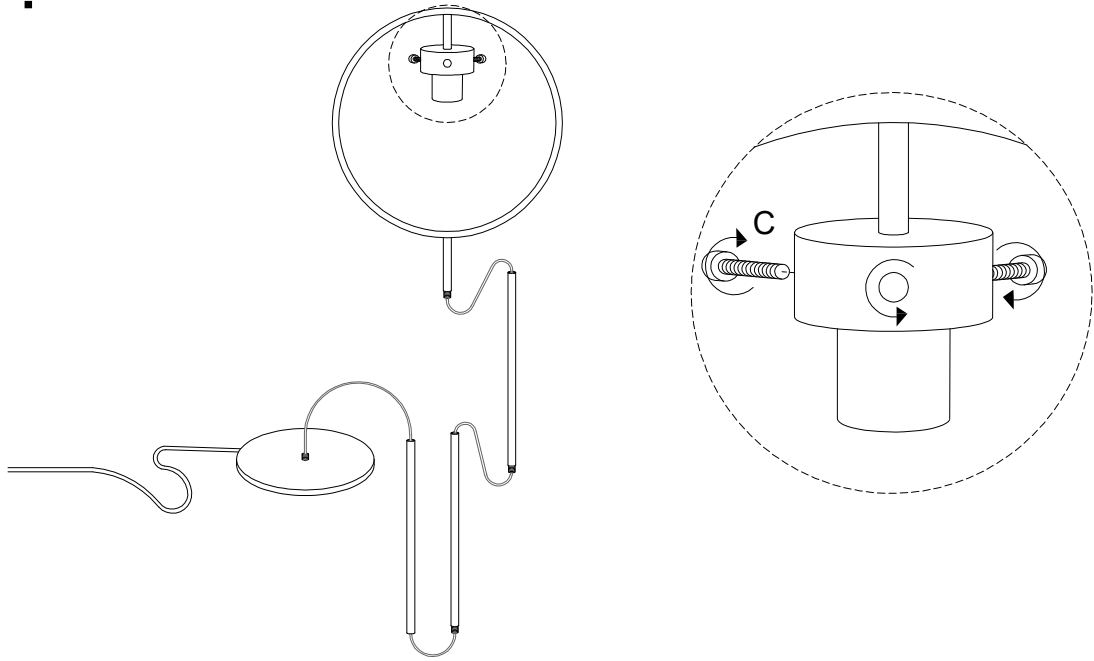


1

1/4

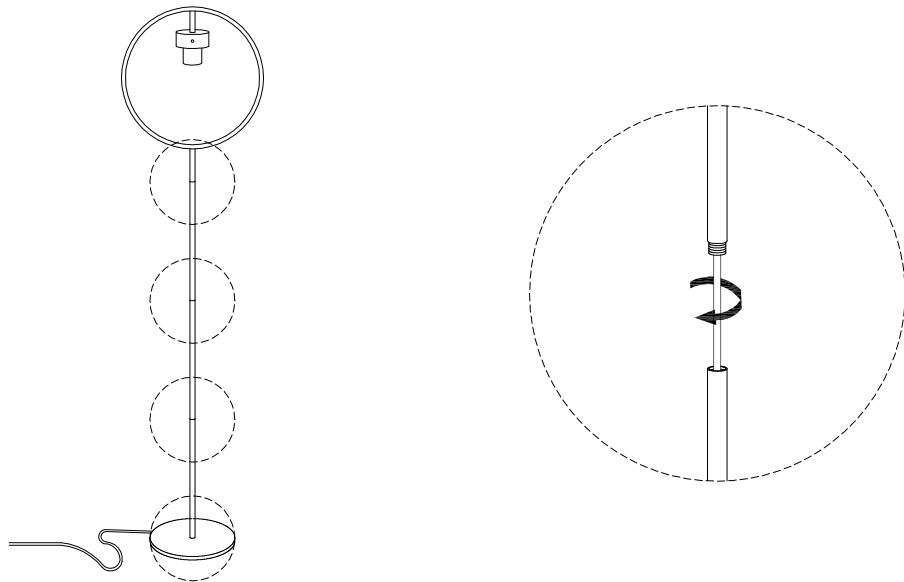


!

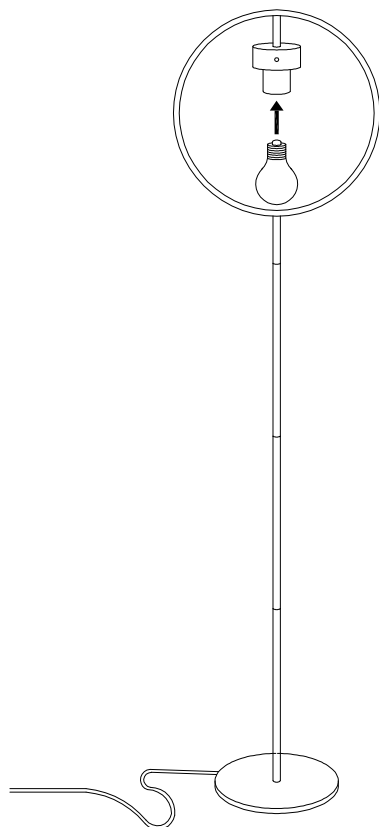


1

A
X 1



2



3

