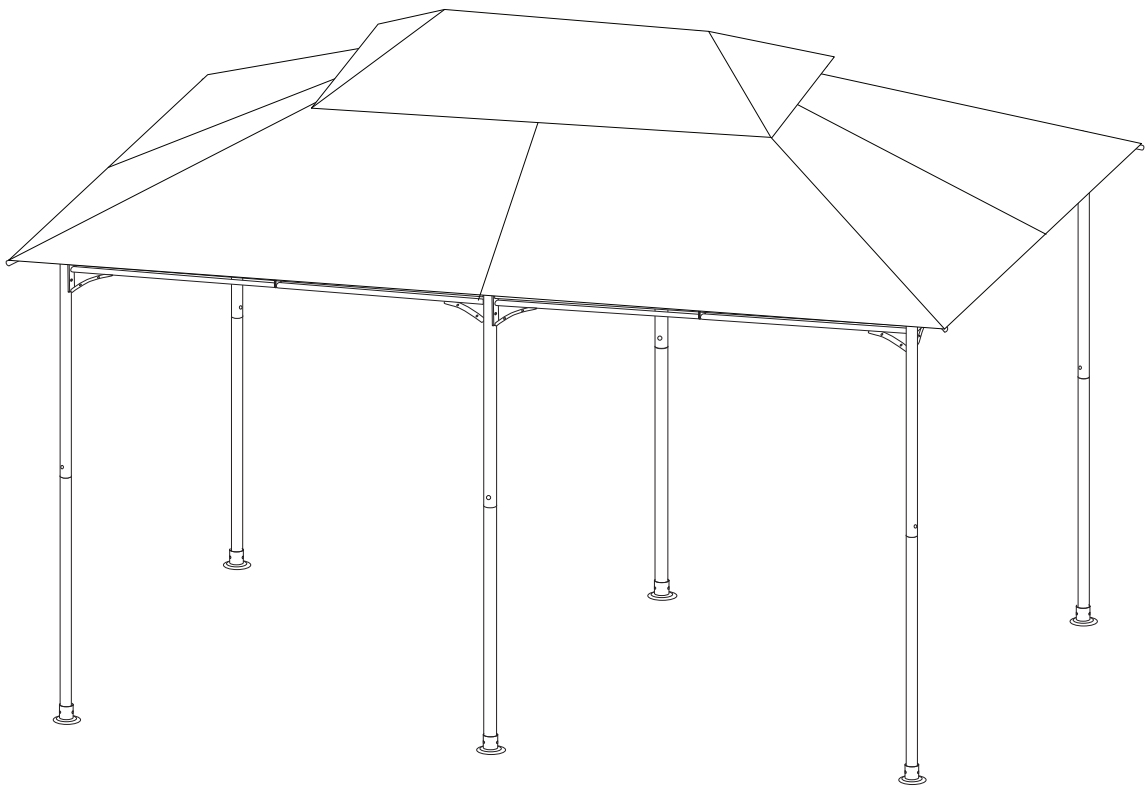
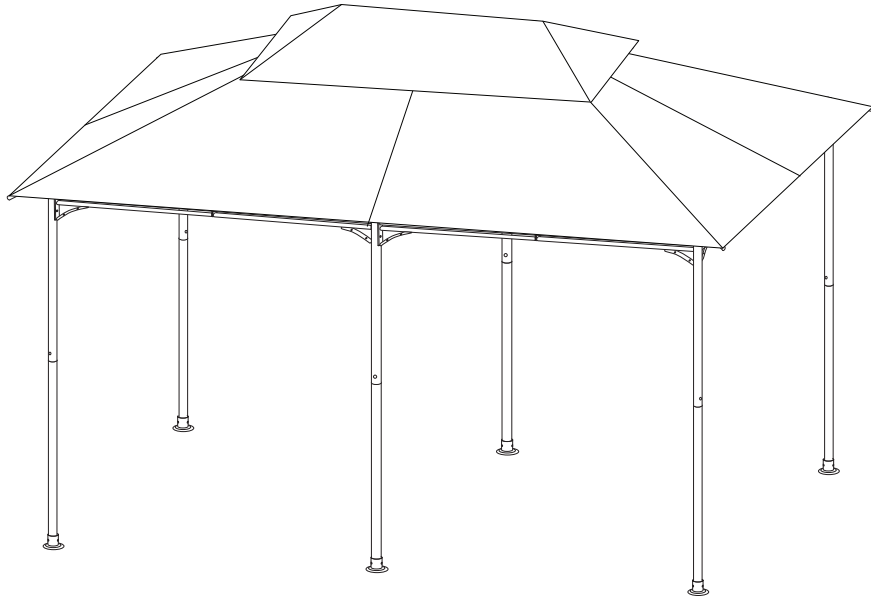
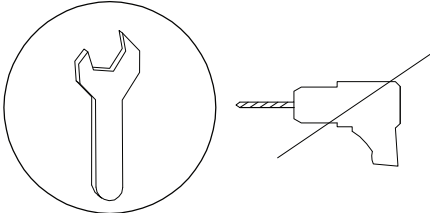

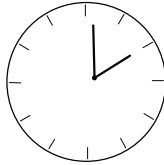
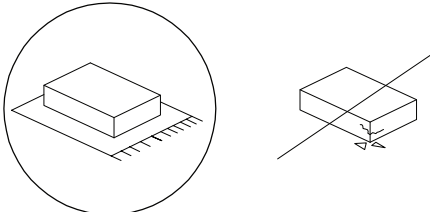
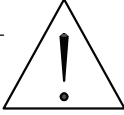

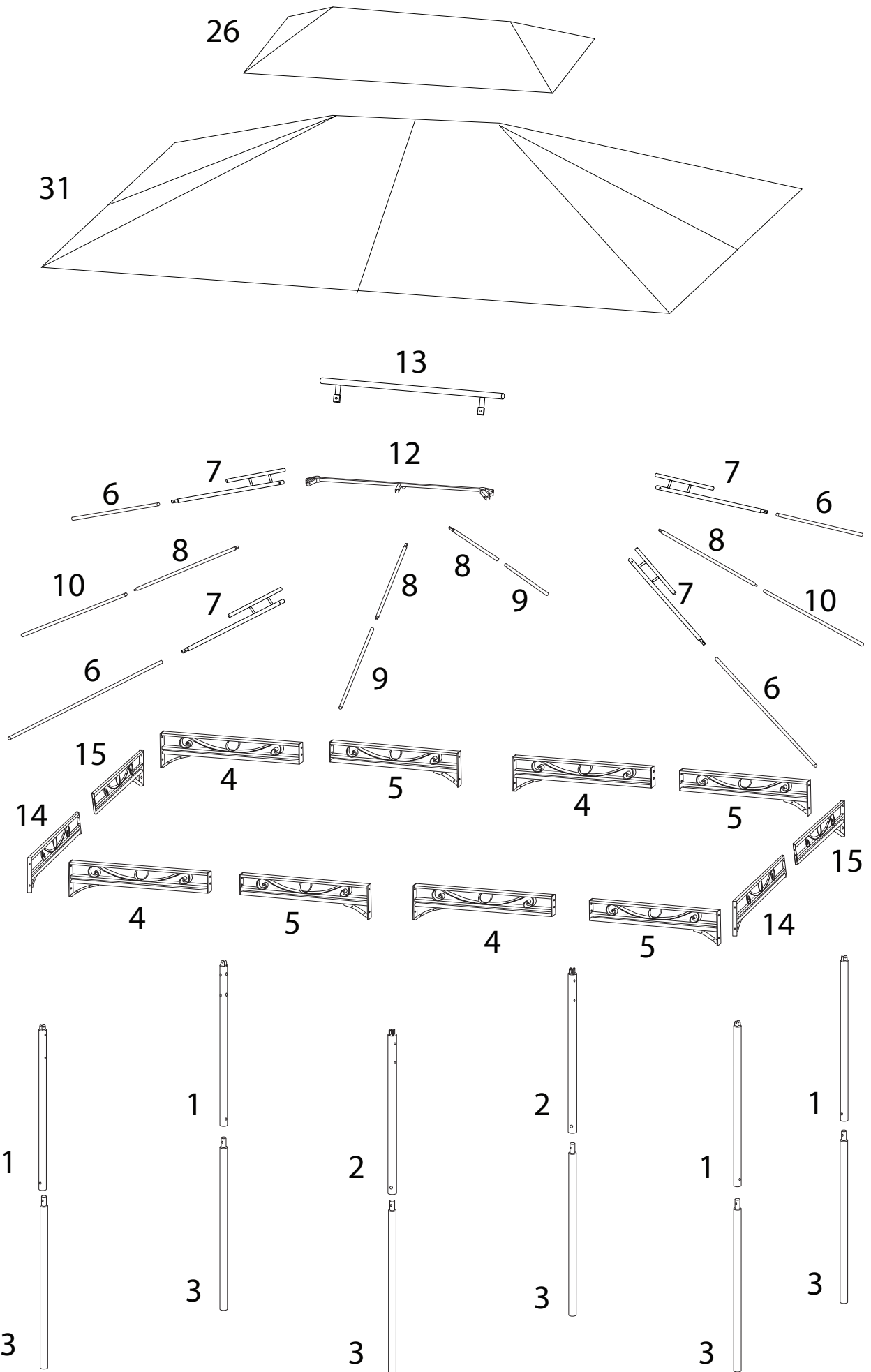


COLOS

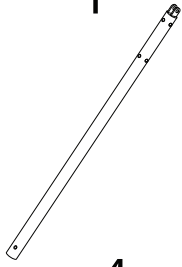




		
		180'
		
		3

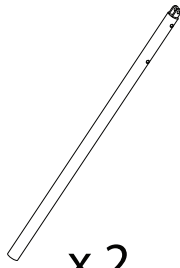


1



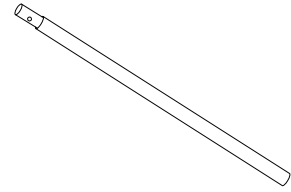
x 4

2



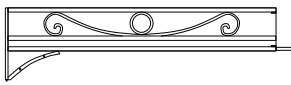
x 2

3



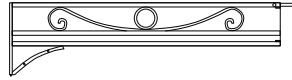
x 6

4



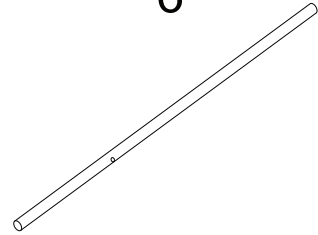
x 4

5



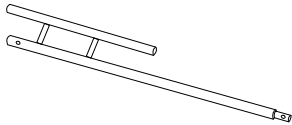
x 4

6



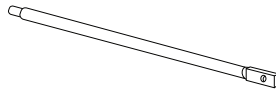
x 4

7



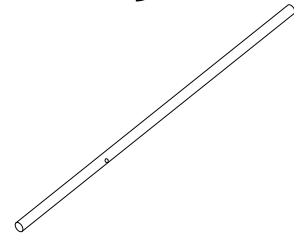
x 4

8



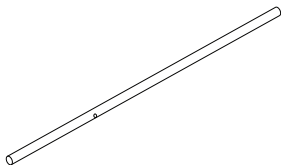
x 4

9



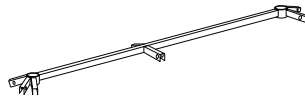
x 2

10



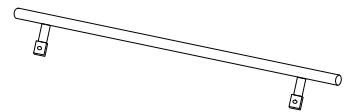
x 2

12



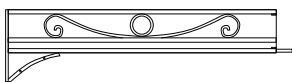
x 1

13



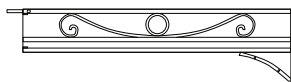
x 1

14



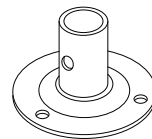
x 2

15



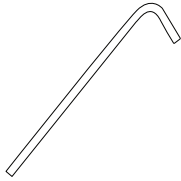
x 2

16



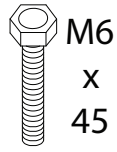
x 6

17



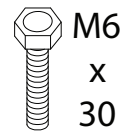
x 18

18



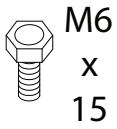
x 12

19



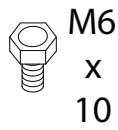
x 10

21



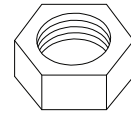
x 24

22



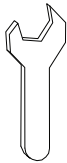
x 12

23



x 34

24



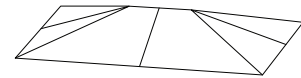
x 2

25



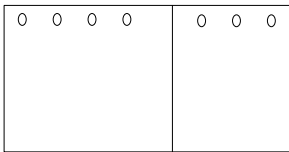
x 6

26



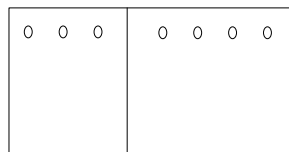
x 1

27



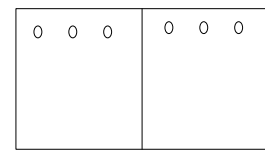
x 2

28



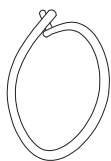
x 2

29



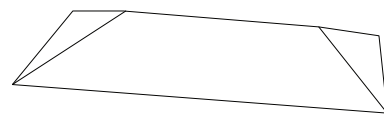
x 2

30



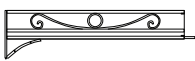
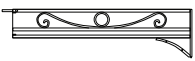

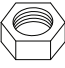

x 40

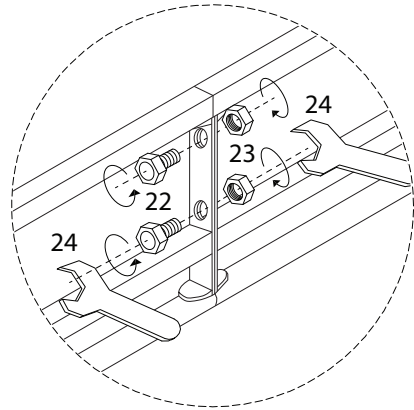
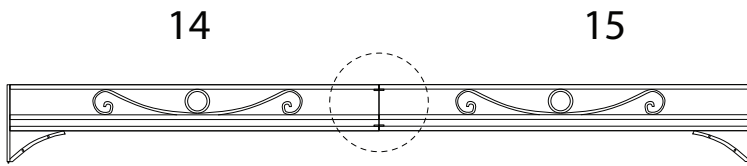
31



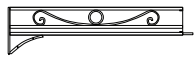
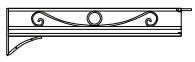

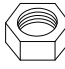

x 1

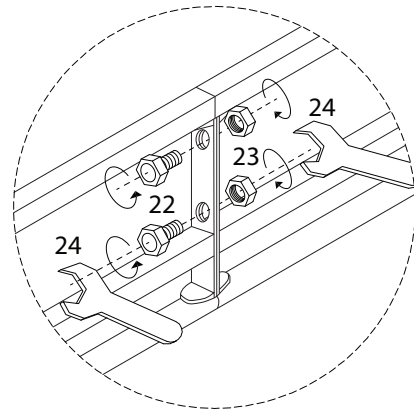
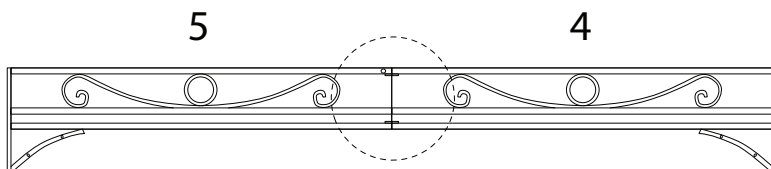
1 x 2

14	15	22	23	24
		 M6 x 10		
x 1	x 1	x 2	x 2	x 2




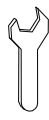


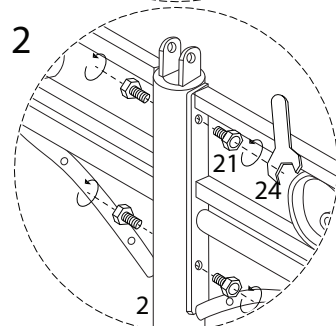
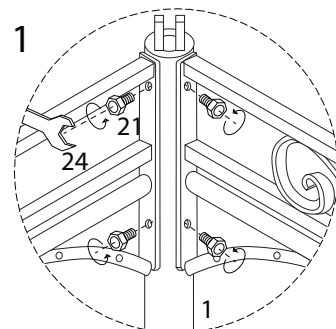
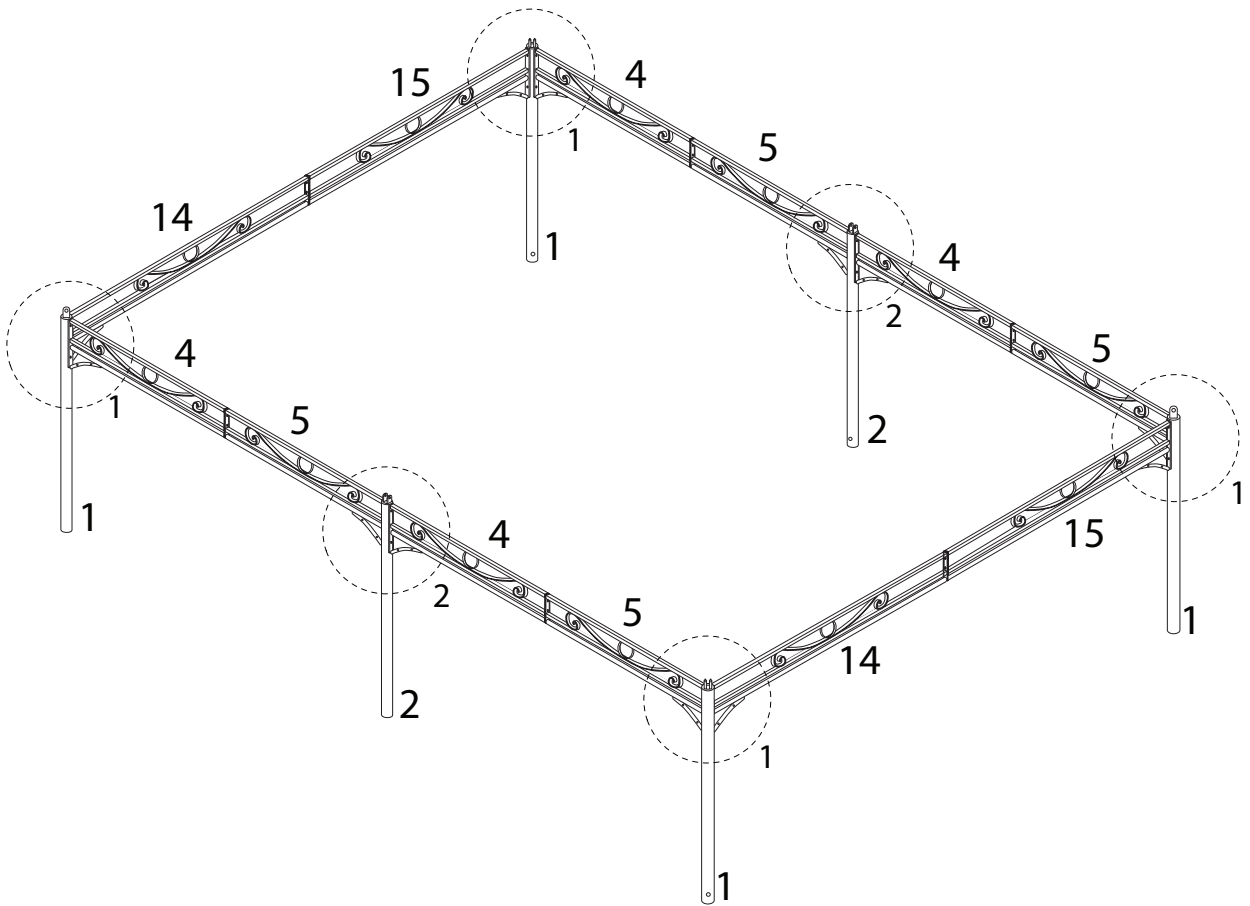
2 x 4

4	5	22	23	24
		 M6 x 10		
x 1	x 1	x 2	x 2	x 2

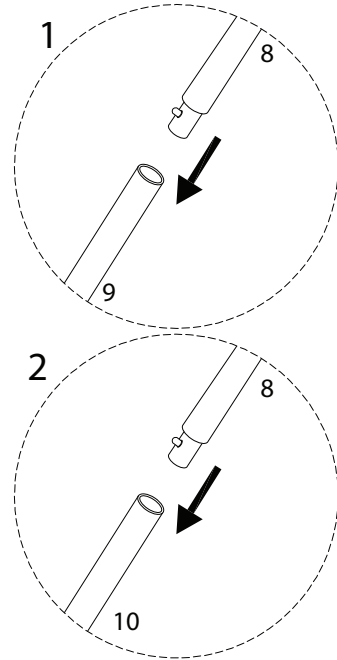
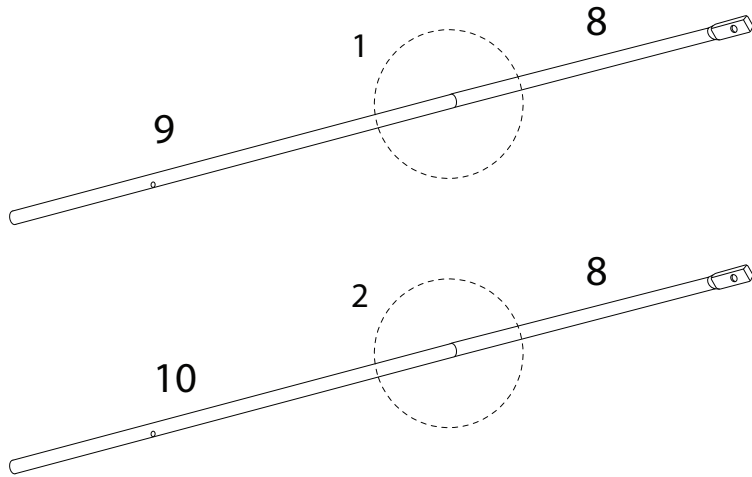
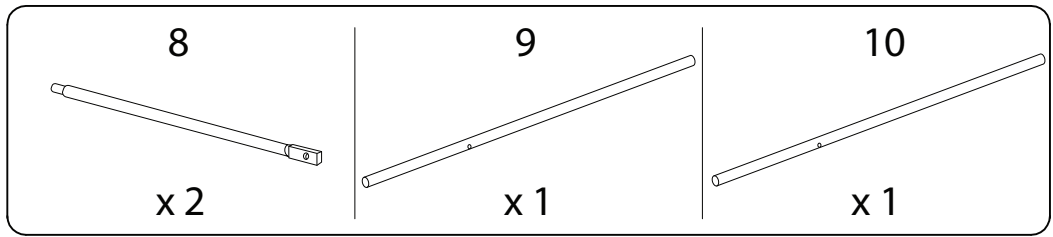


3

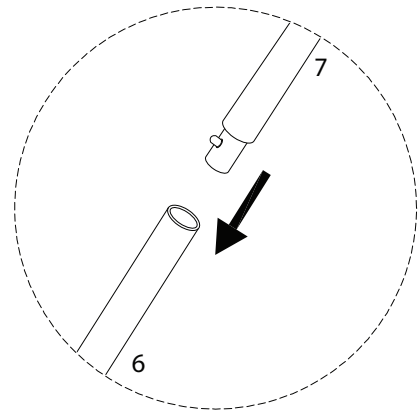
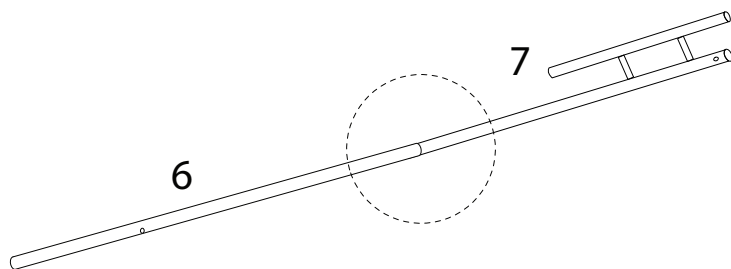
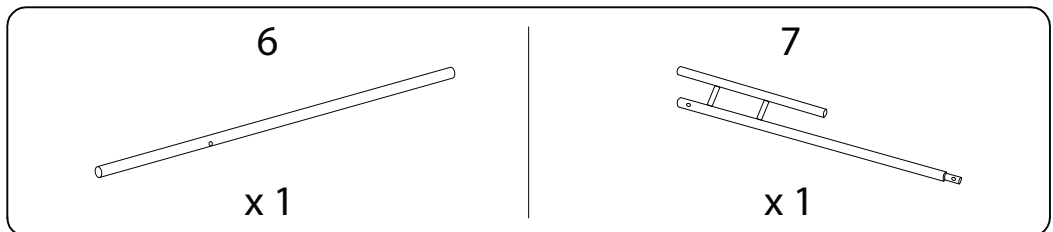
<p>1</p>  <p>x 4</p>	<p>2</p>  <p>x 2</p>	<p>21</p>  <p>M6 x 15</p> <p>x 24</p>	<p>24</p>  <p>x 1</p>
---	---	---	--






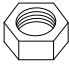
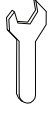
4 x 2

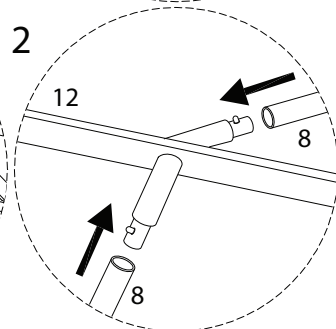
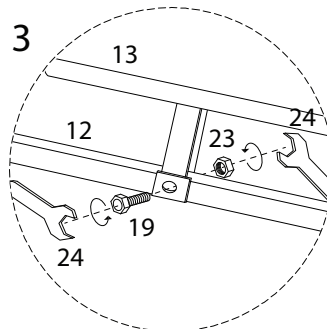
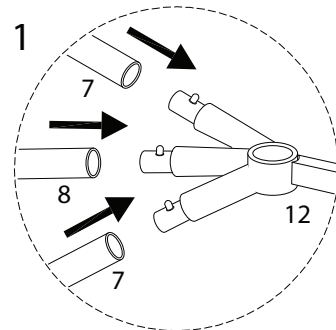
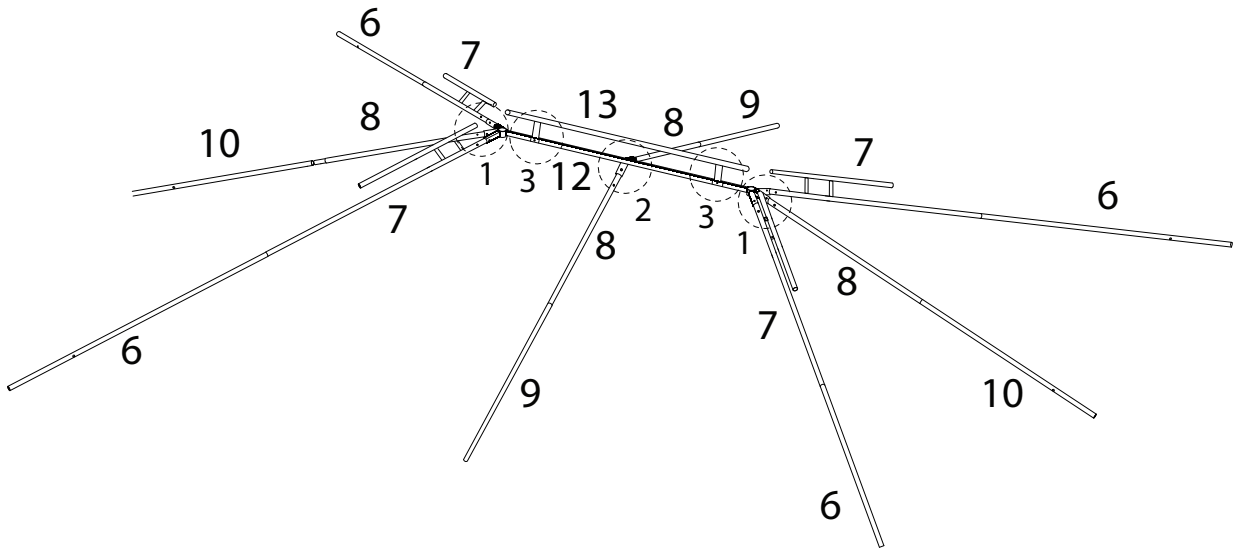


5 x 4



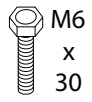
6

12  x 1	13  x 1	19  x 2	23  x 2	24  x 2
--	--	--	--	--



7

19



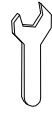
x 8

23

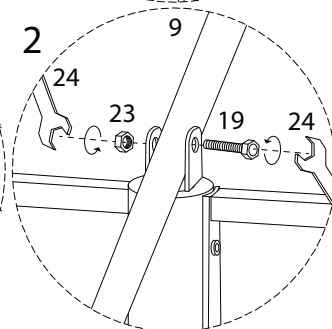
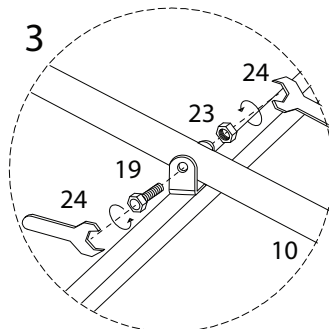
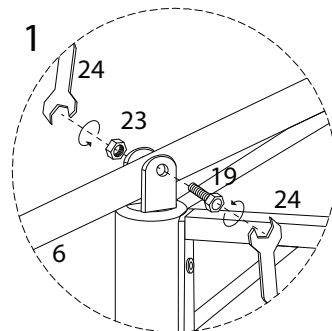
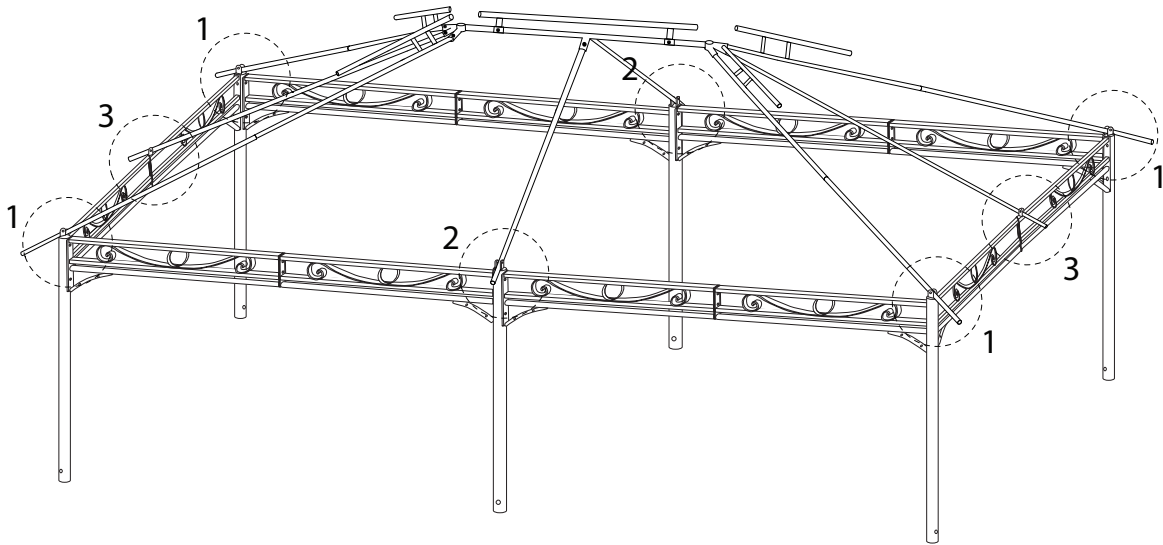


x 8

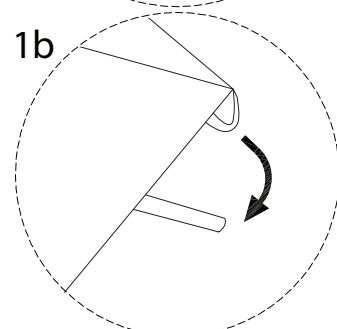
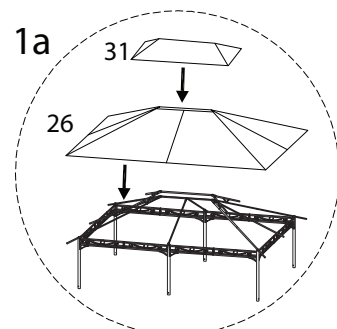
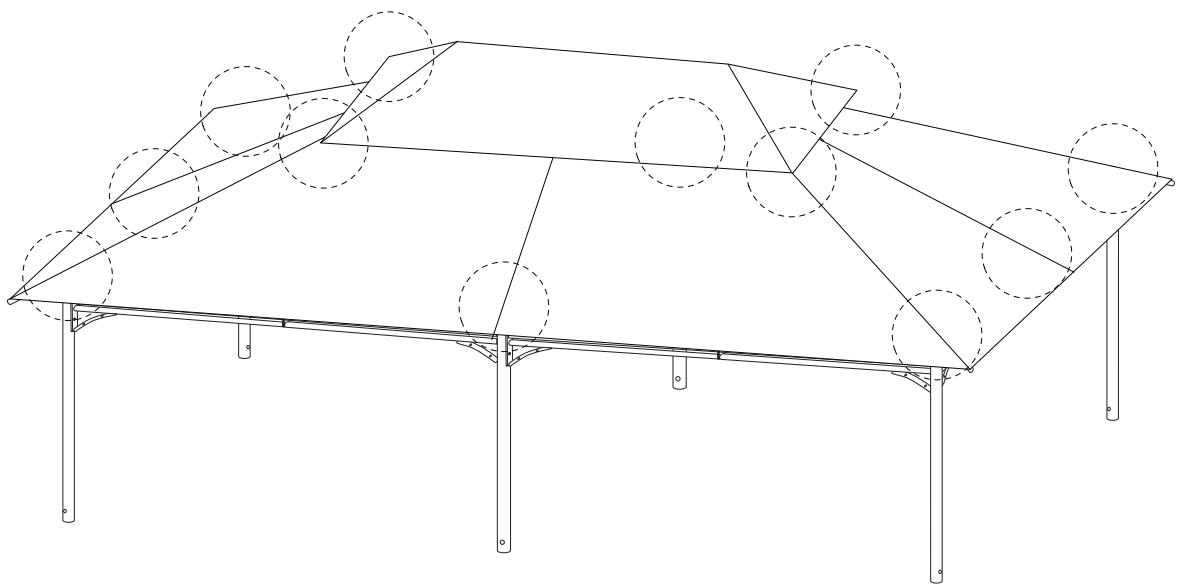
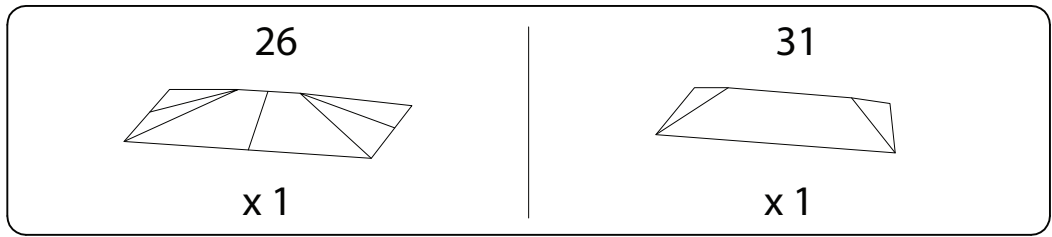
24



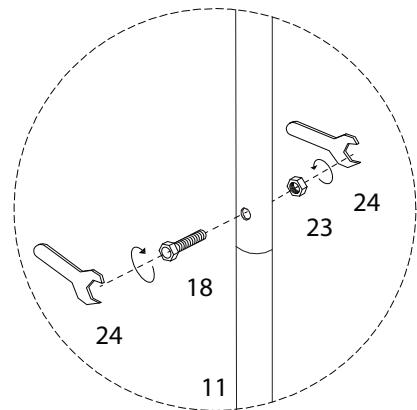
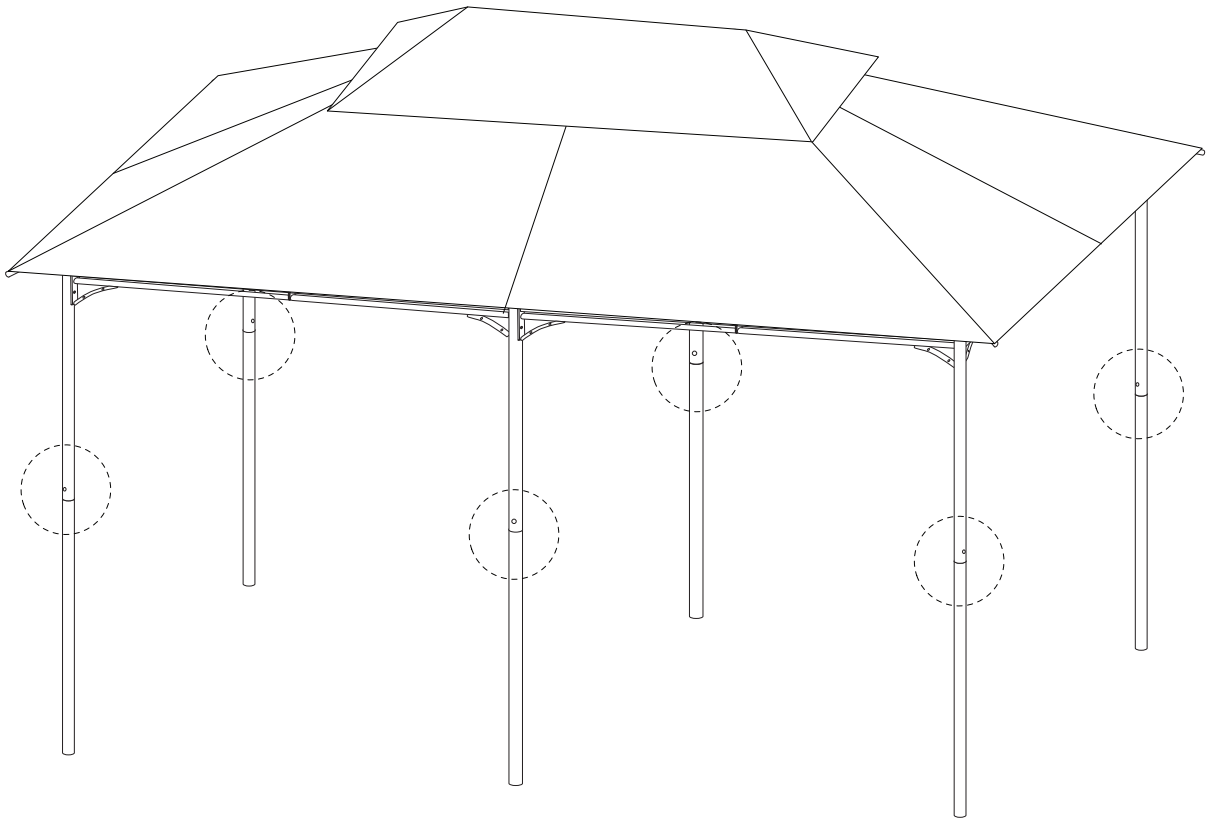
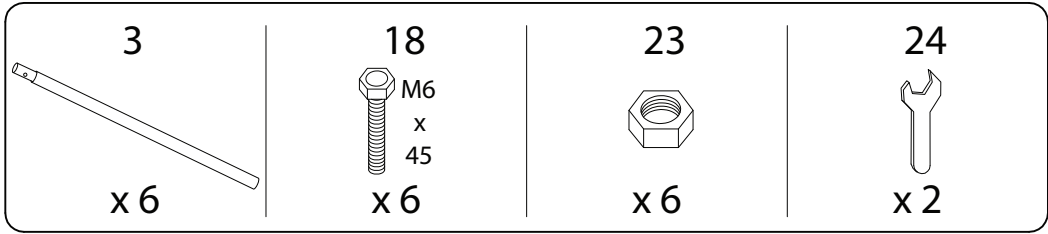
x 2



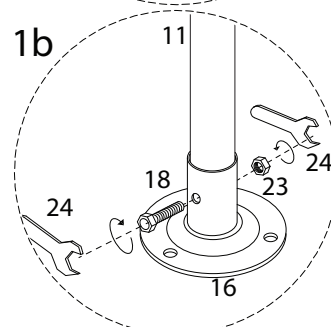
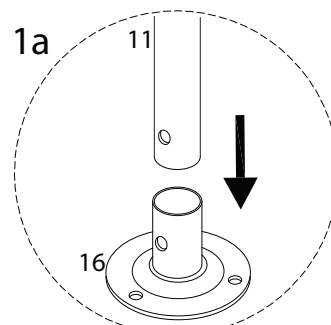
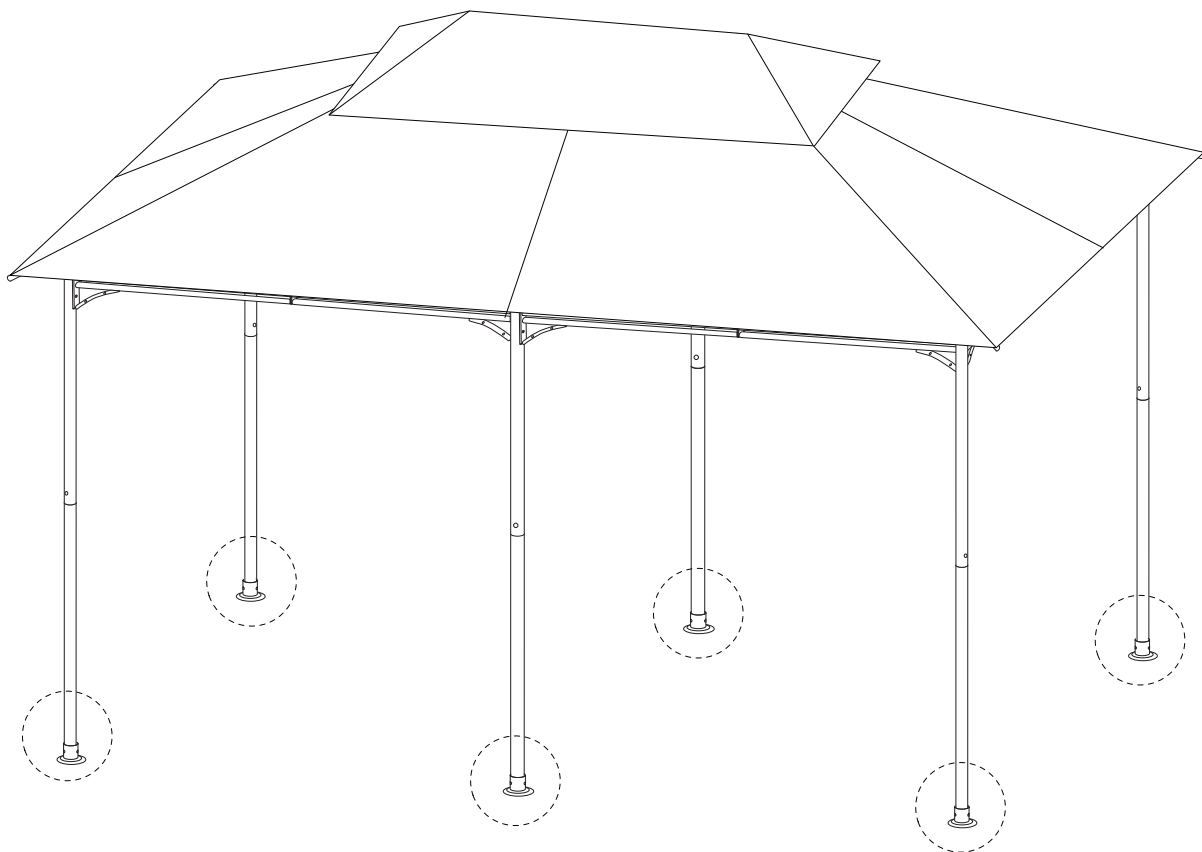
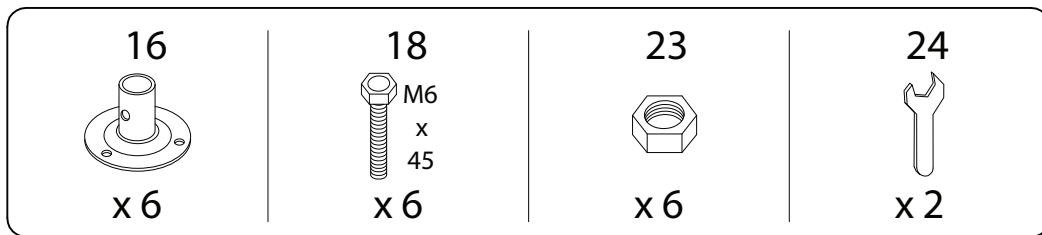
8



9

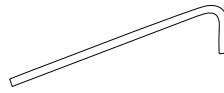


10

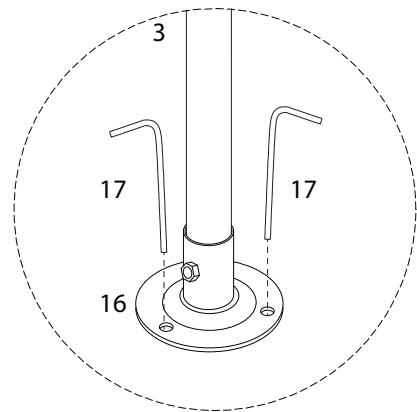
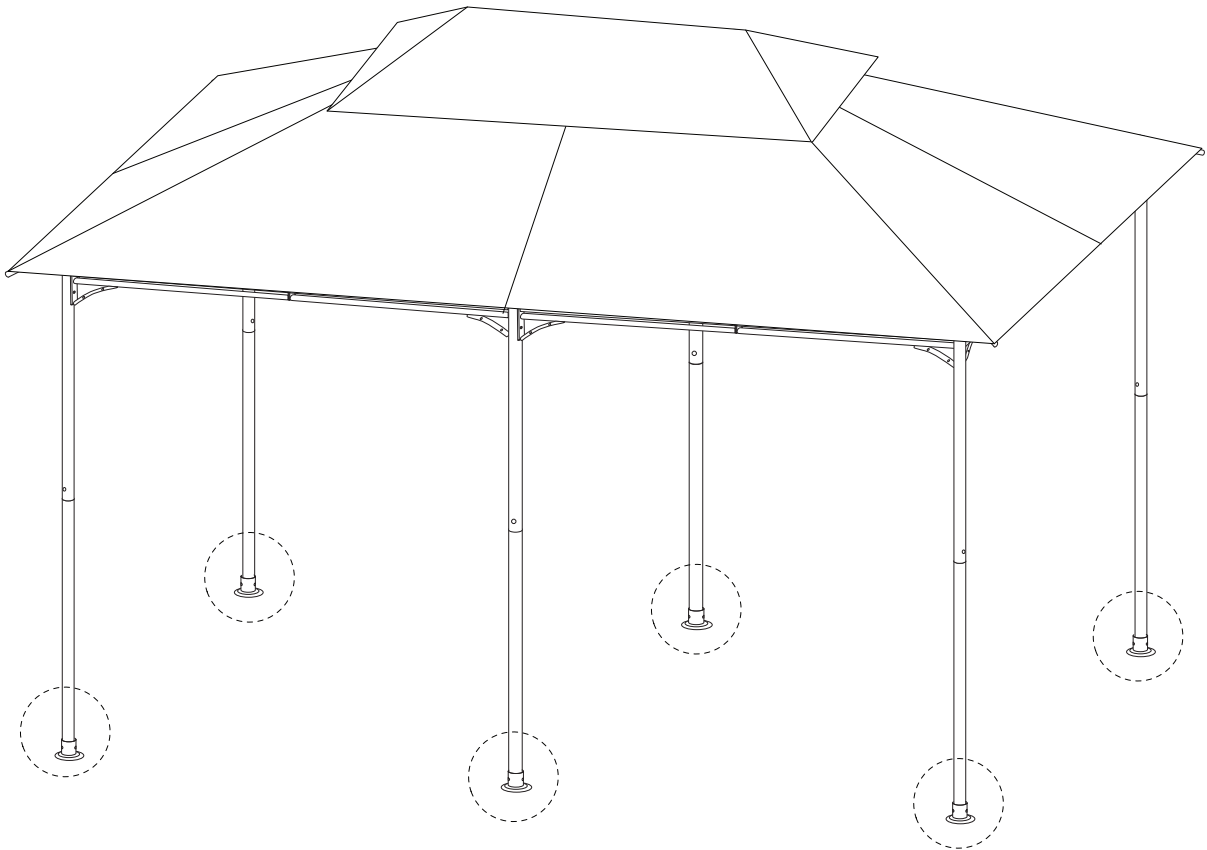


11

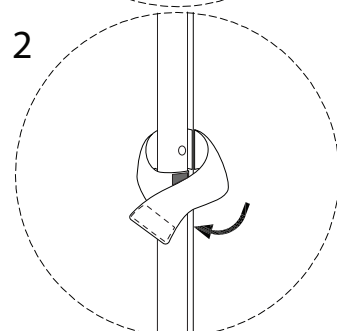
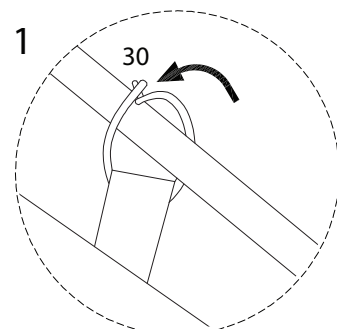
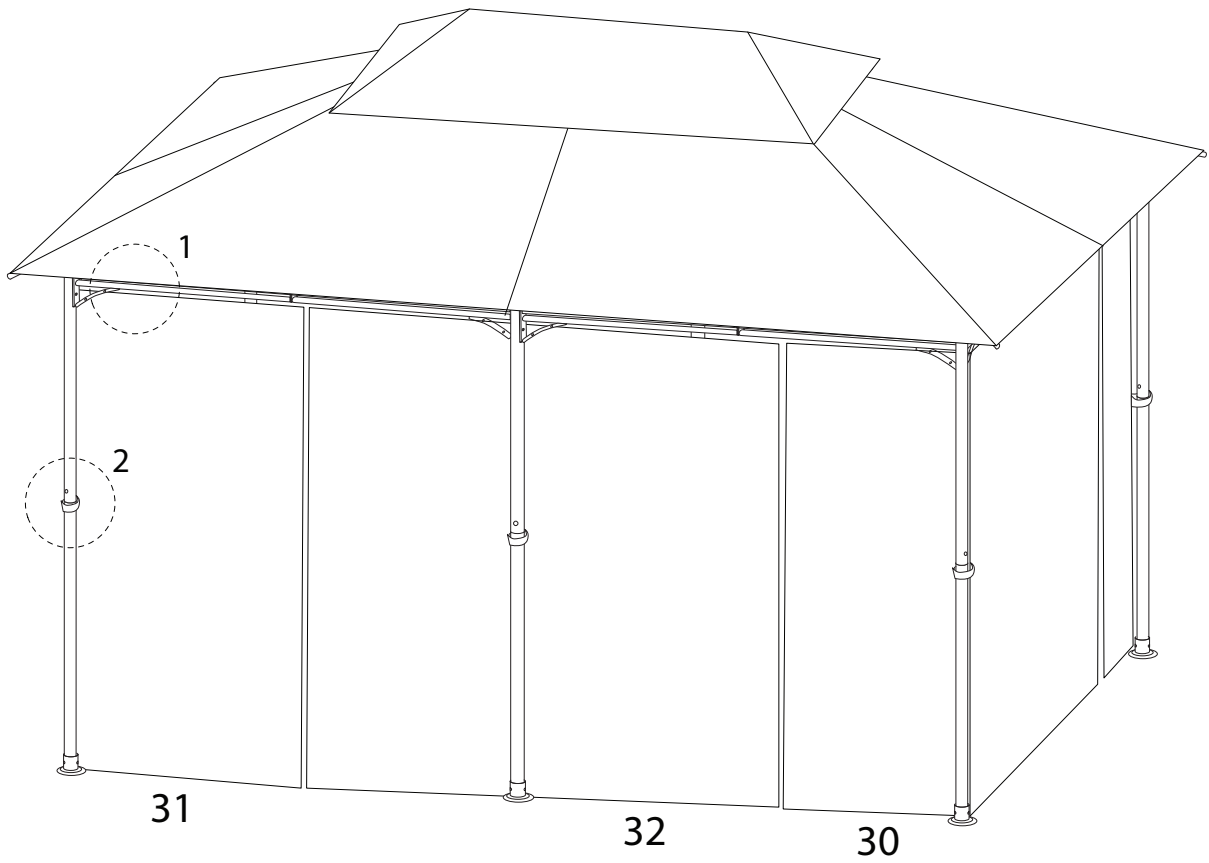
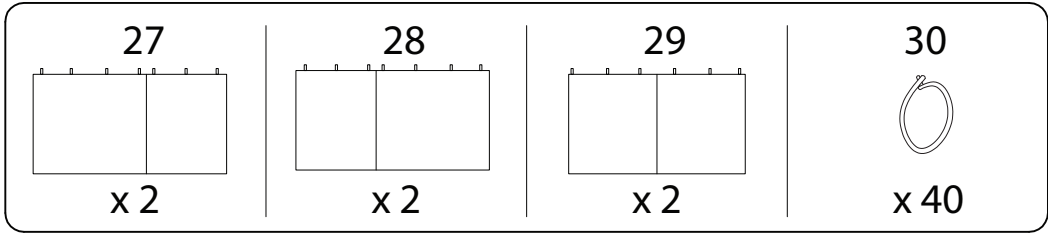
17



x 12

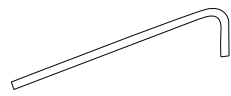


12



13

17

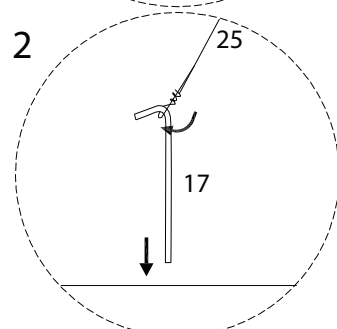
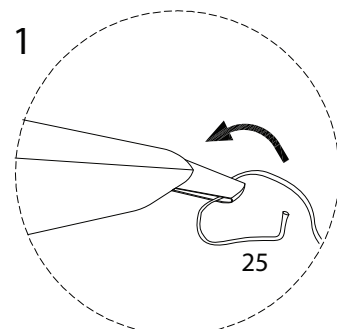
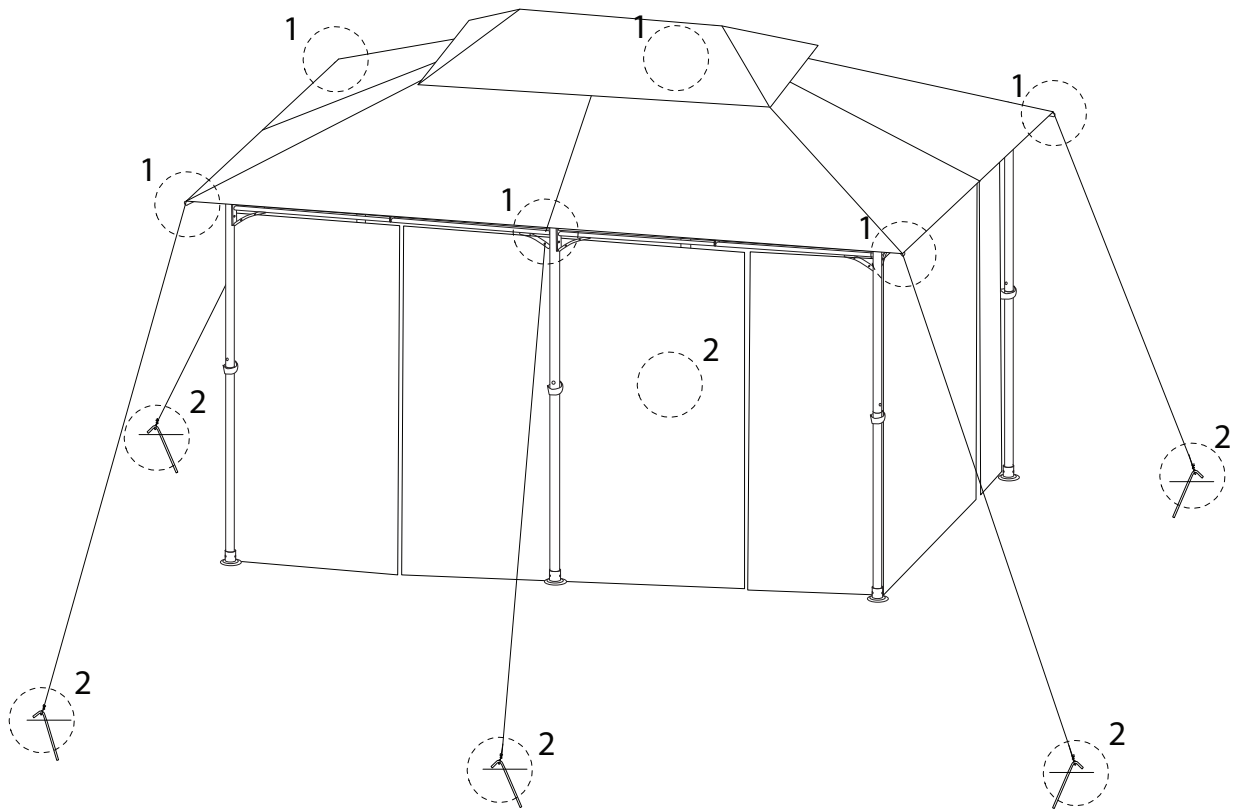


x 6

25



x 6



!

