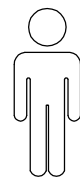

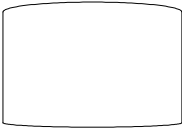
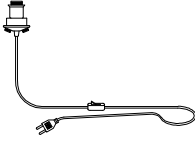



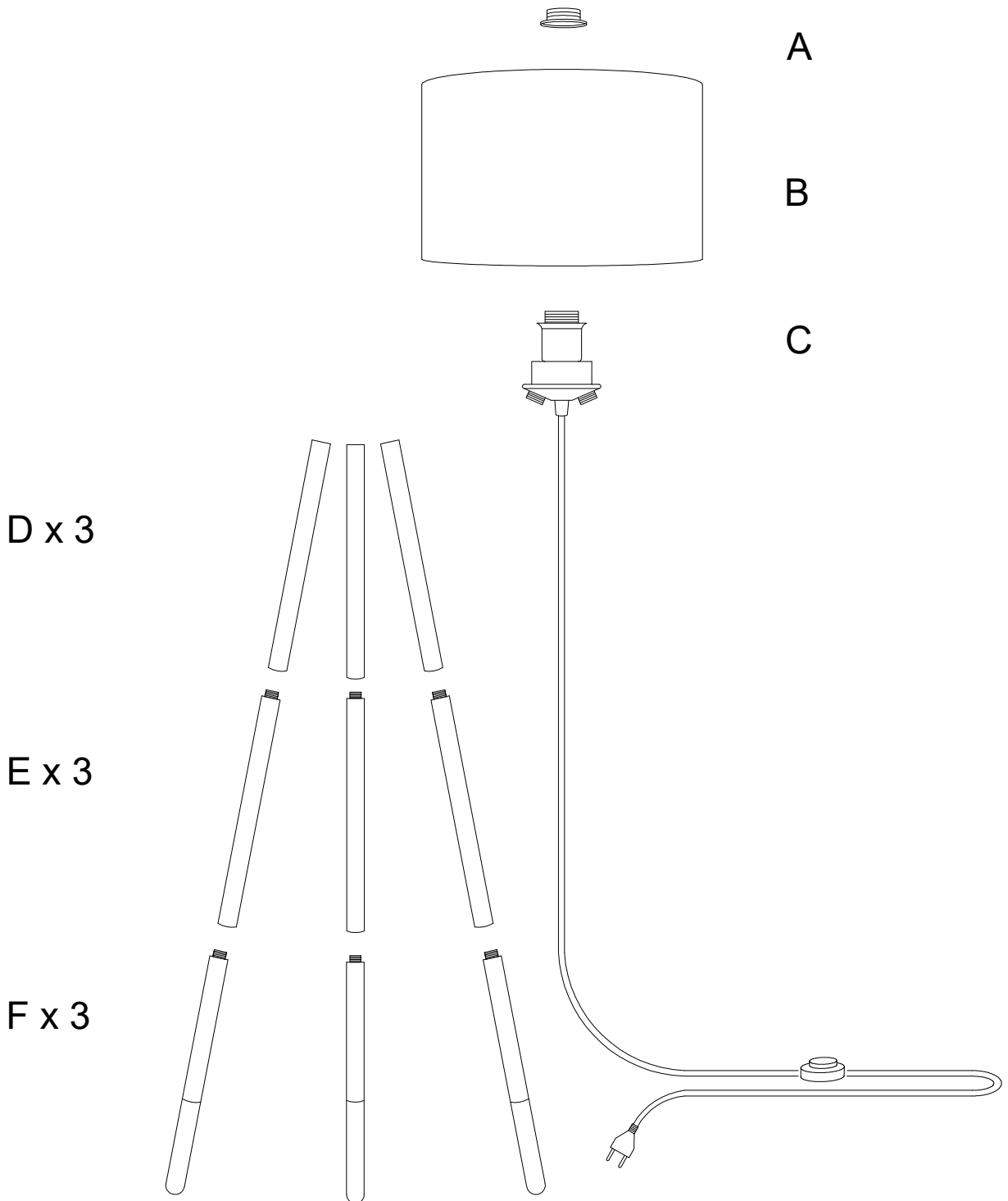


15'

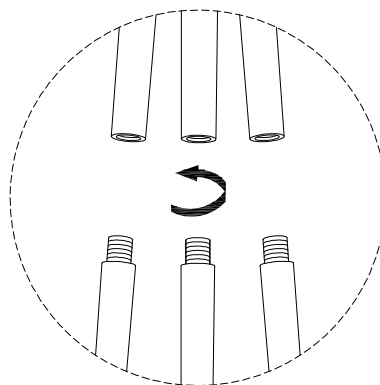
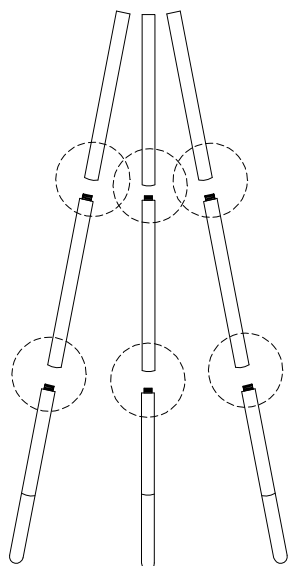
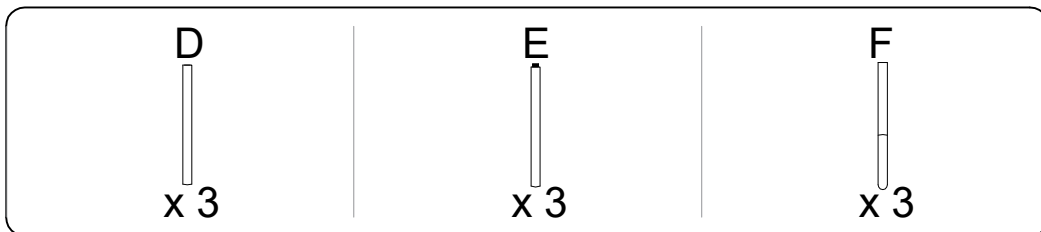


1

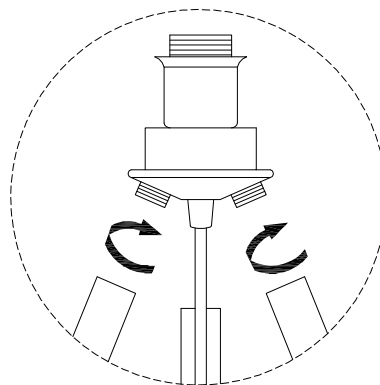
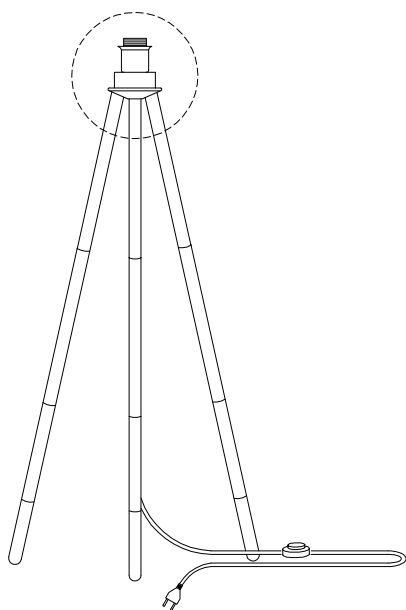
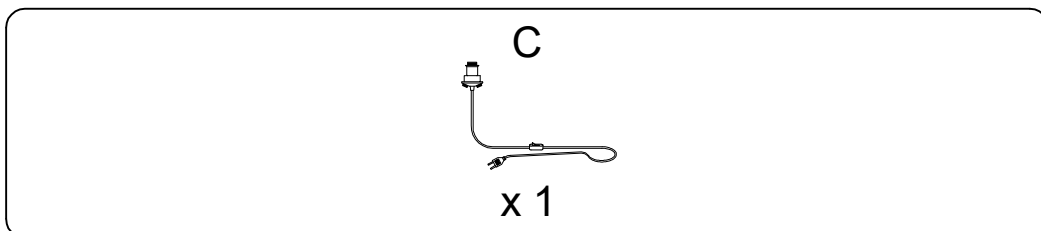
| | | | | | |
|-----------------------------------------------------------------------------------|-----------------------------------------------------------------------------------|-----------------------------------------------------------------------------------|-----------------------------------------------------------------------------------|-------------------------------------------------------------------------------------|-------------------------------------------------------------------------------------|
| A | B | C | D | E | F |
|  |  |  |  |  |  |
| x 1 | x 1 | x 1 | x 3 | x 3 | x 3 |



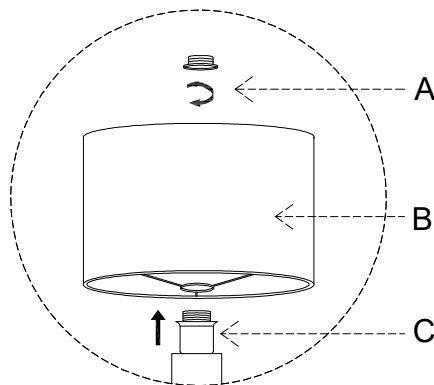
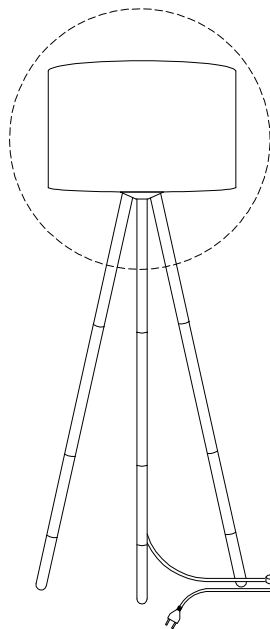
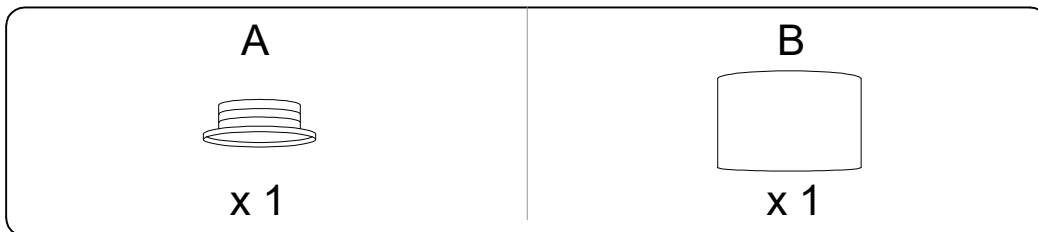
1



2



3



4

