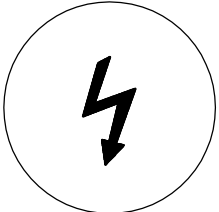
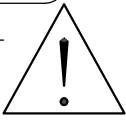

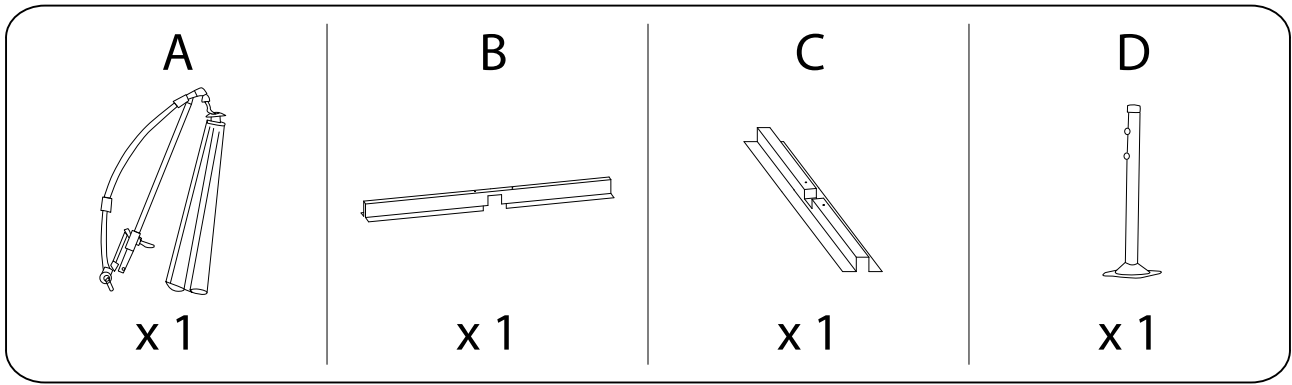
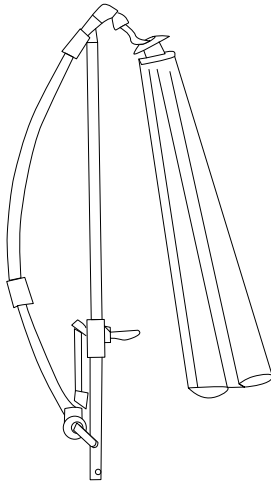

		30'
		
		2



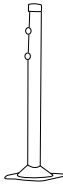
I



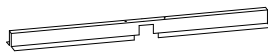
A



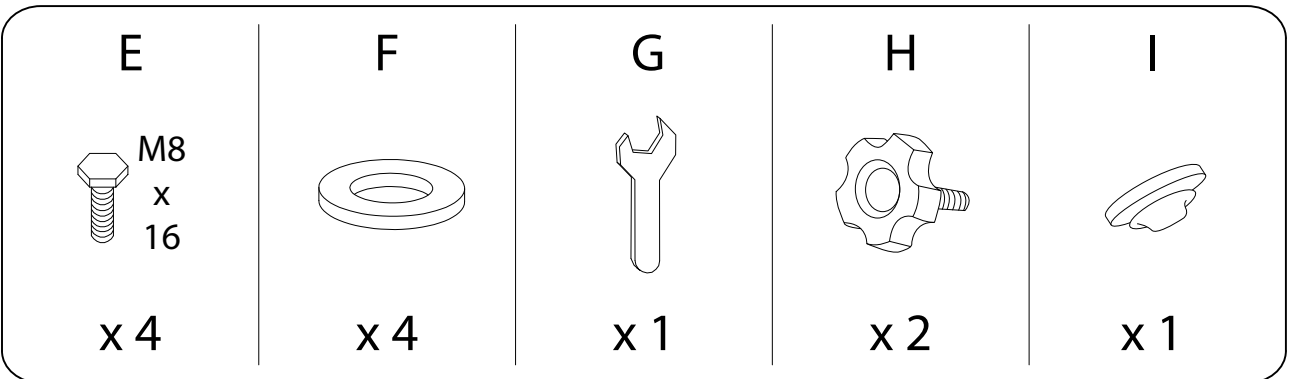
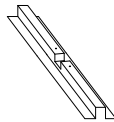
D



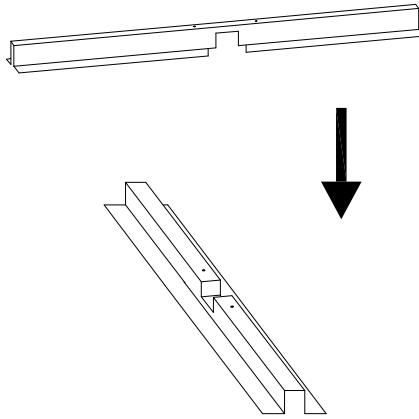
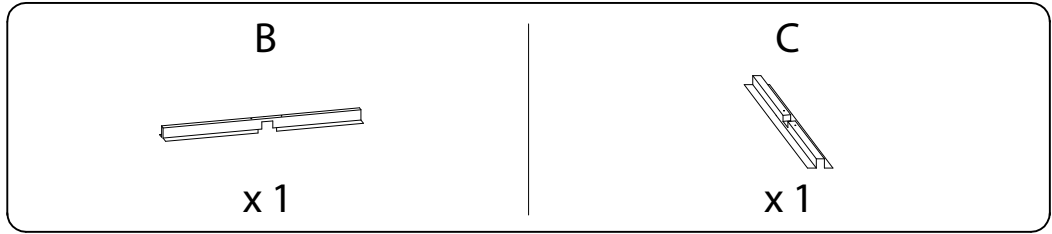
B



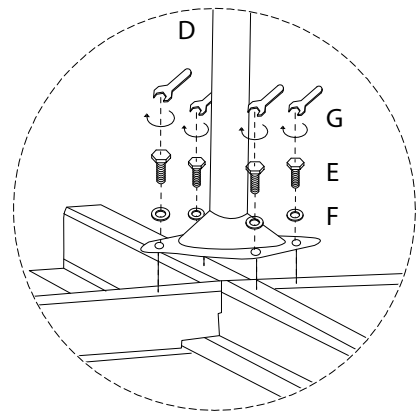
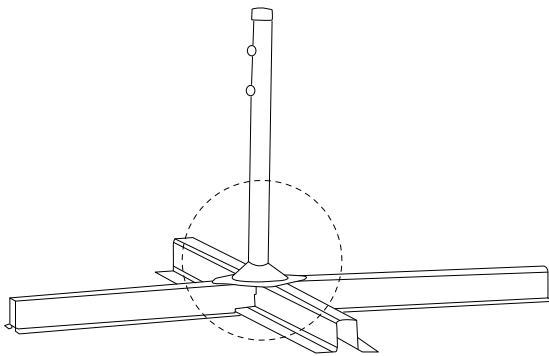
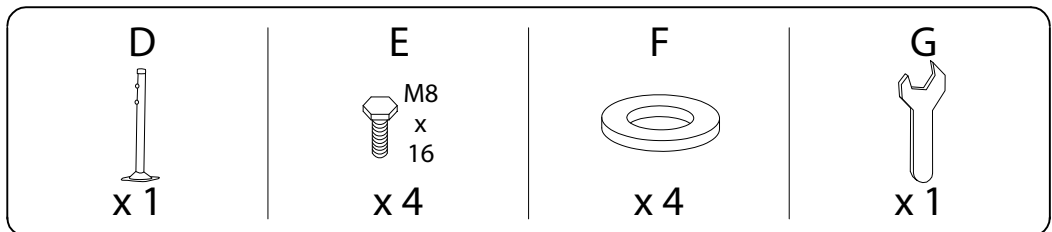
C



1



2



3

A

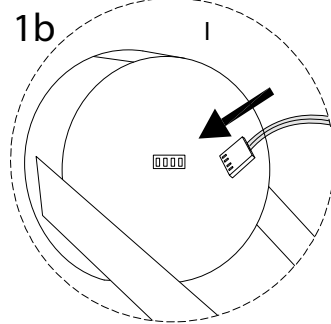
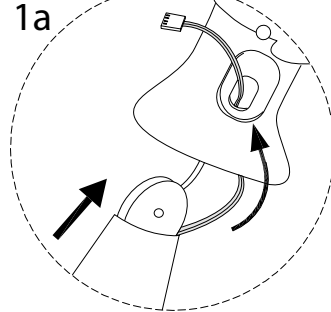
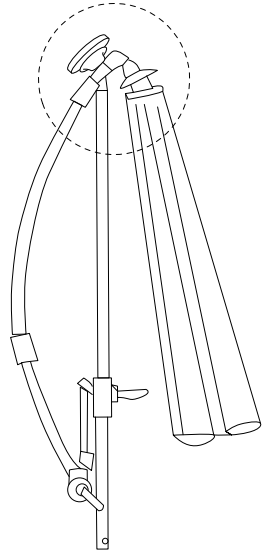


x 1

I



x 1

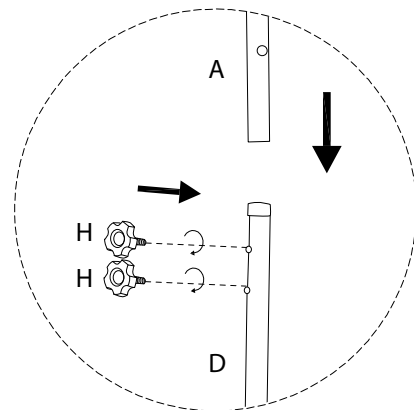
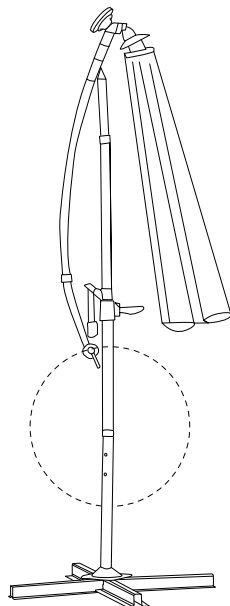


4

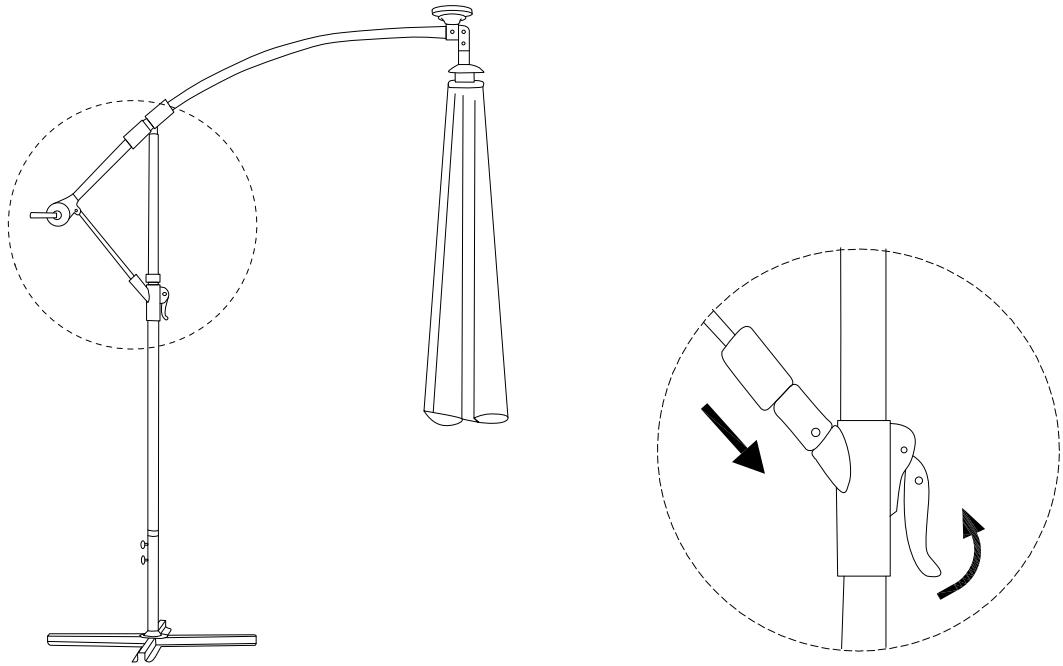
H



x 2



5



6

