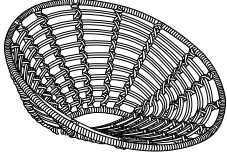
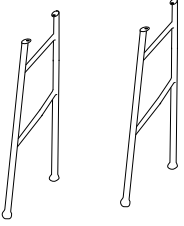

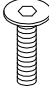

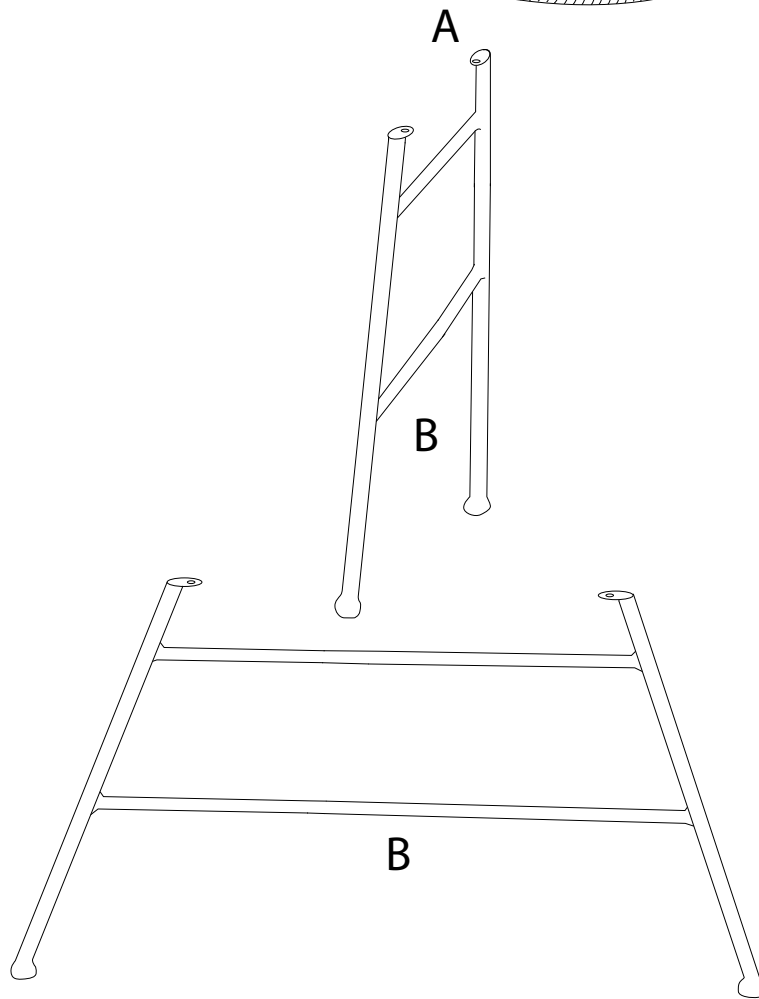
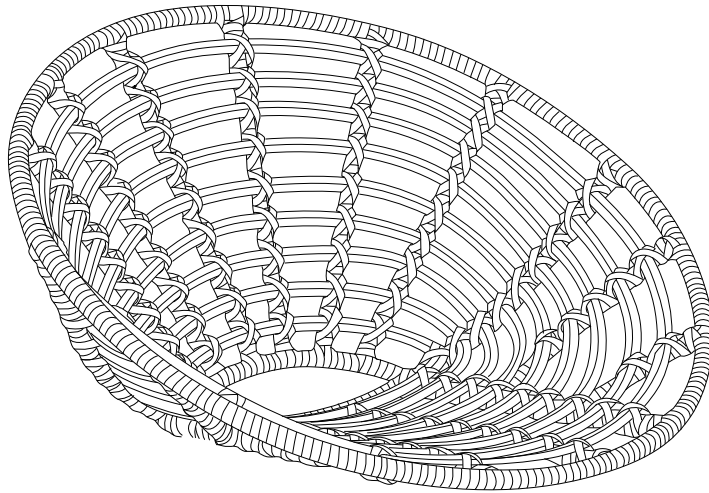


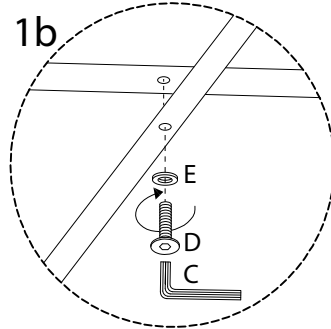
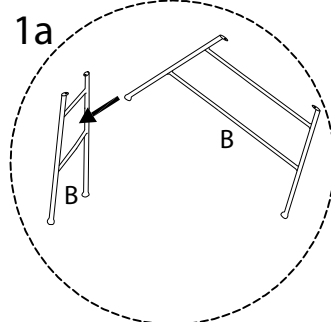
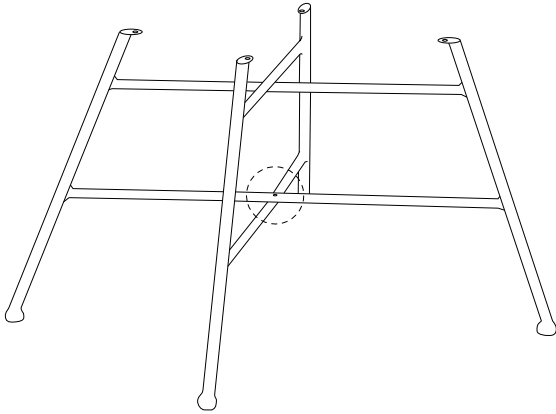
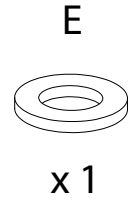
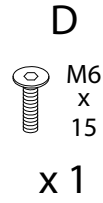
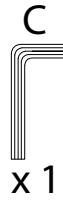
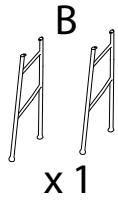
Assembly instructions for the chair, including warnings and icons:

- Warning 1:** A triangle with an exclamation mark points to a box containing:
  - An icon of an L-shaped corner bracket.
  - An icon of a power drill with a diagonal slash through it, indicating that a power drill should not be used for this step.
- Warning 2:** A triangle with an exclamation mark points to a box containing:
  - An icon of a rectangular block being placed on a textured surface.
  - An icon of a rectangular block with a diagonal slash through it, indicating that the block should not be placed on a hard or uneven surface.
- Time:** A clock icon with the text "30'" below it, indicating a 30-minute assembly time.
- Person:** An icon of a person with the number "1" below it, indicating that one person is required for assembly.

<p><b>A</b></p>  <p><b>x 1</b></p>	<p><b>B</b></p>  <p><b>x 1</b></p>	<p><b>C</b></p>  <p><b>x 1</b></p>	<p><b>D</b></p>  <p>M6 x 15</p> <p><b>x 5</b></p>	<p><b>E</b></p>  <p><b>x 5</b></p>
---	---	---	---	---



1



2

