

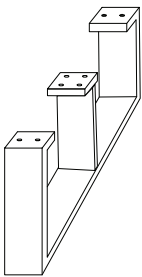
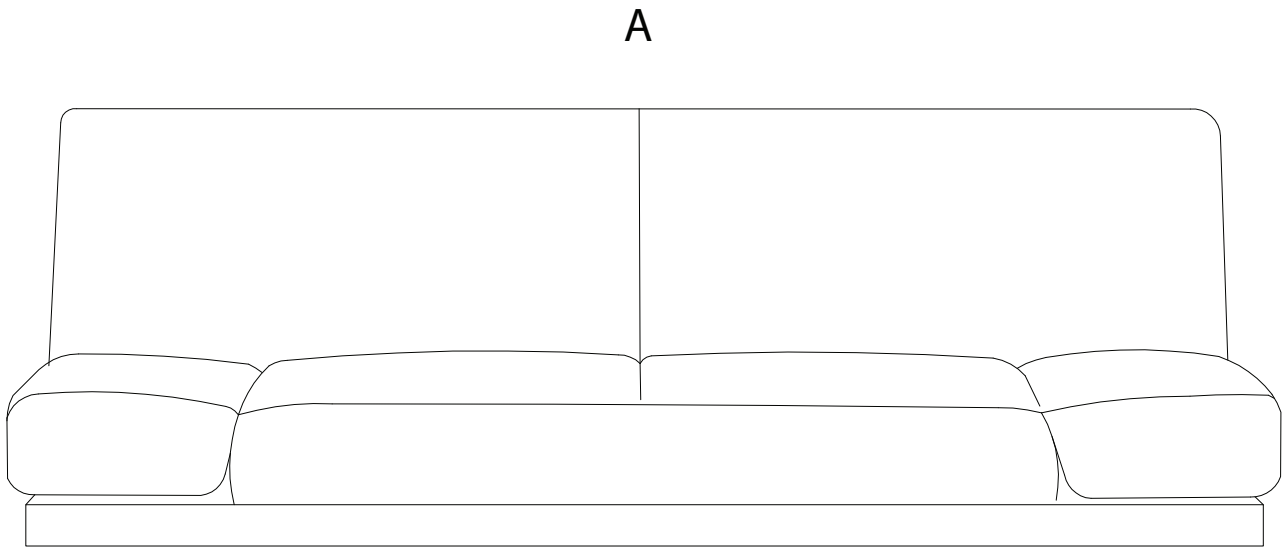
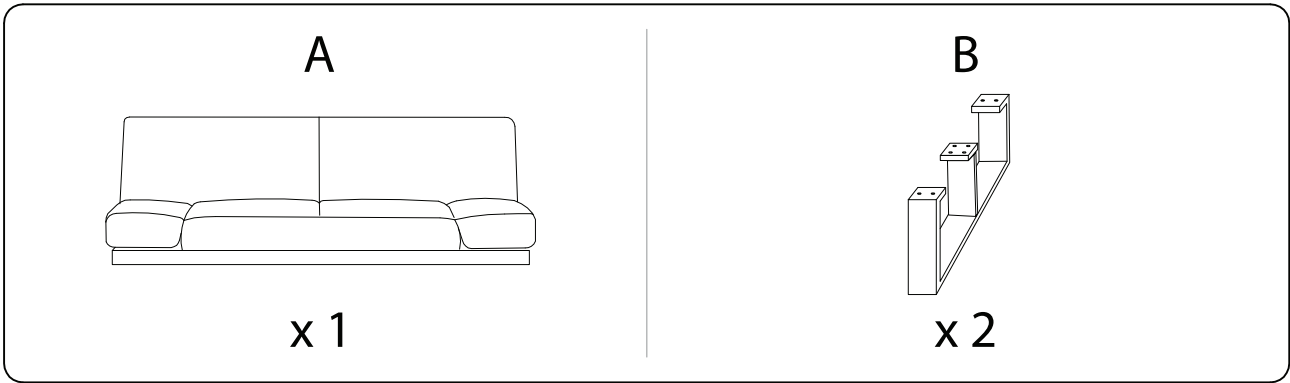
Assembly instructions for the sofa, including tool requirements, time, and person count.

Tools: A screwdriver is shown as required, and a power drill is shown as not required.

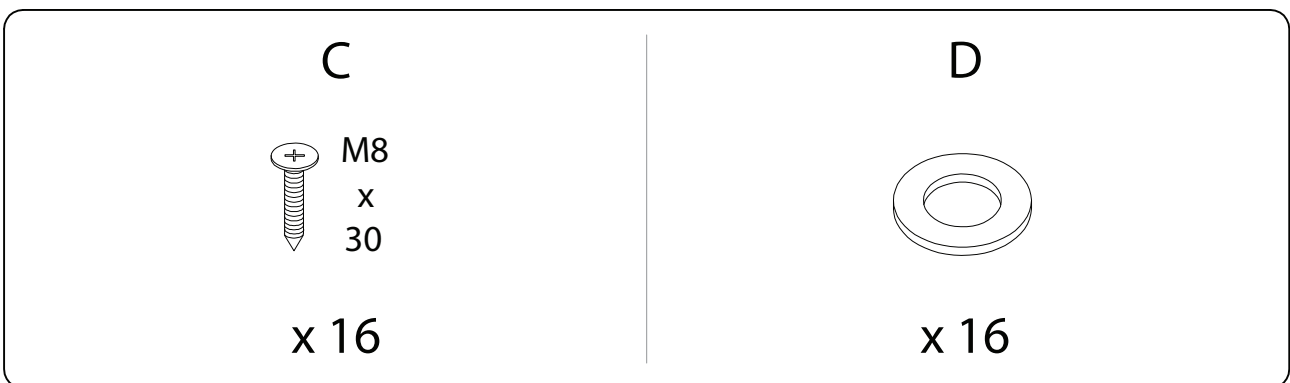
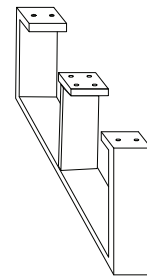
Time: 15 minutes.

Personnel: 1 person.

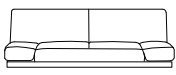
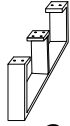

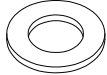
Warnings: Two warning triangles with exclamation marks are present. The first is connected to the tool icons, and the second is connected to the floor mat icon.

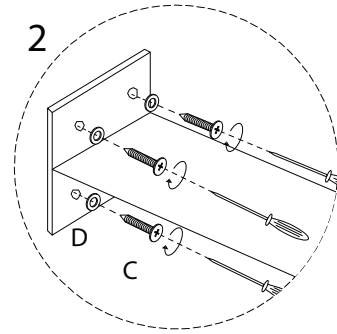
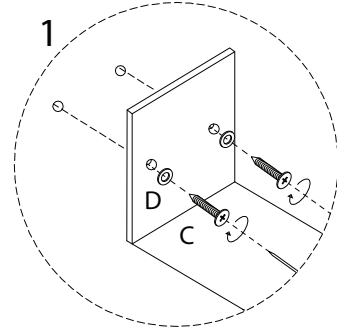
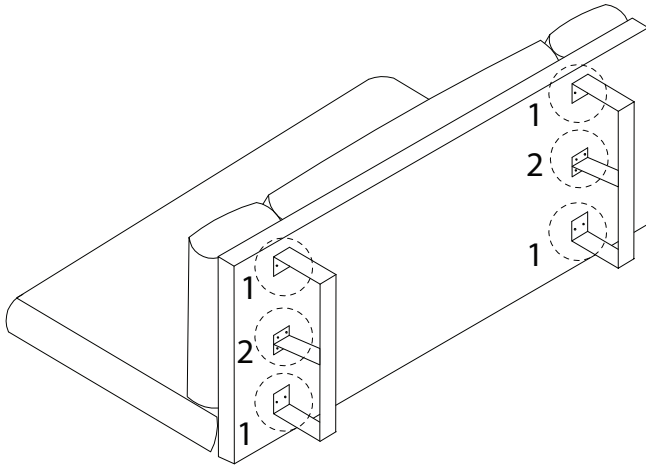


B x 2



1

<p>A</p>  <p>x 1</p>	<p>B</p>  <p>x 2</p>	<p>C</p>  <p>M8 x 30</p> <p>x 16</p>	<p>D</p>  <p>x 16</p>
---	---	--	--



2

