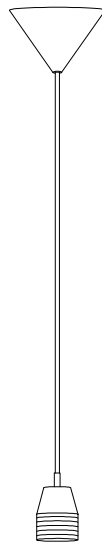
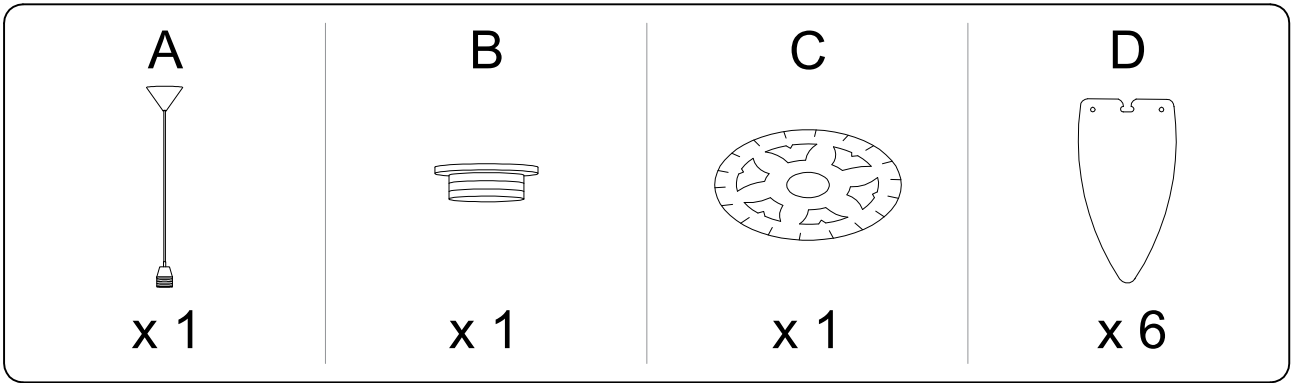


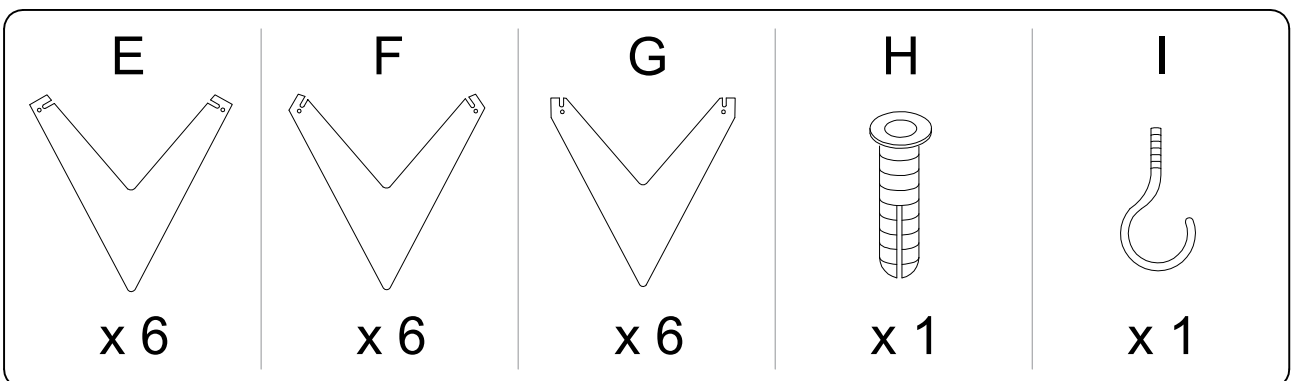
1/6



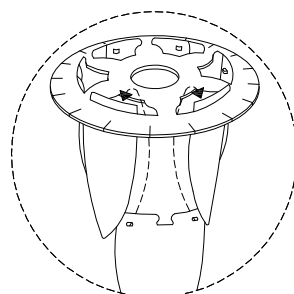
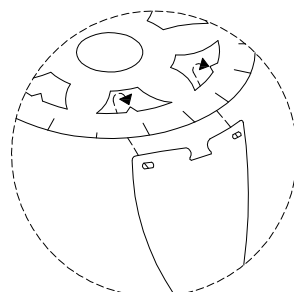
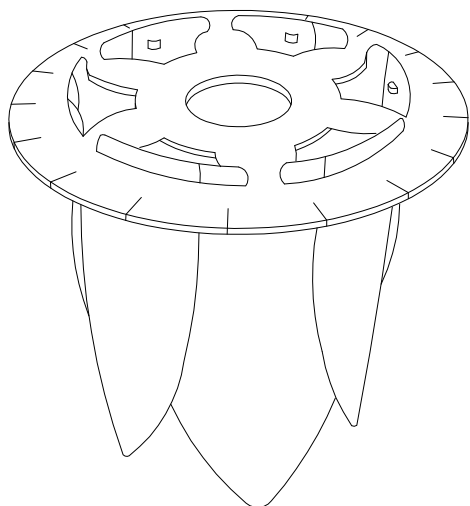
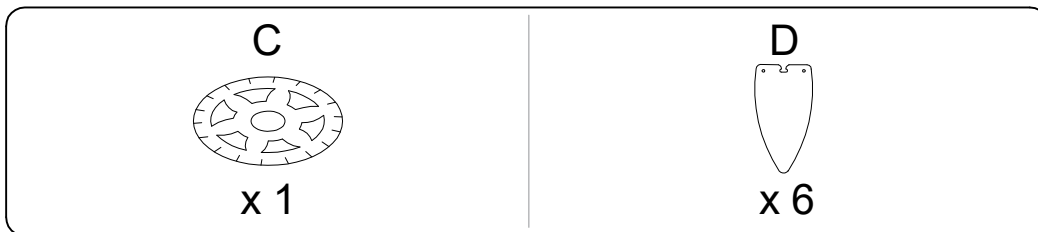
A



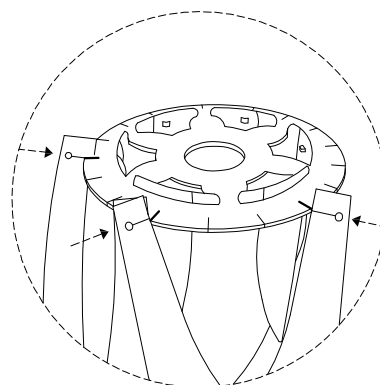
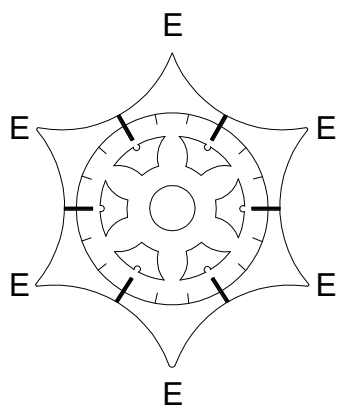
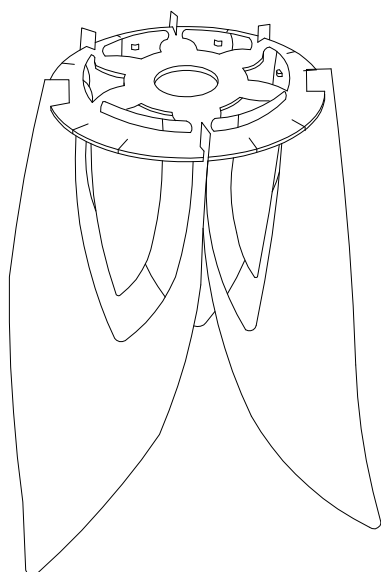
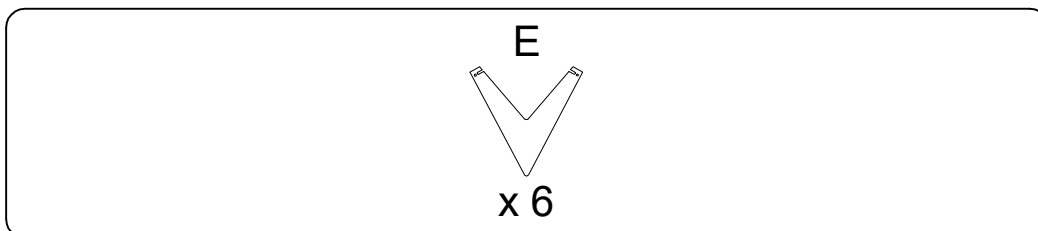
B



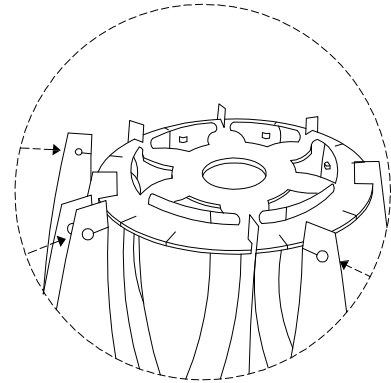
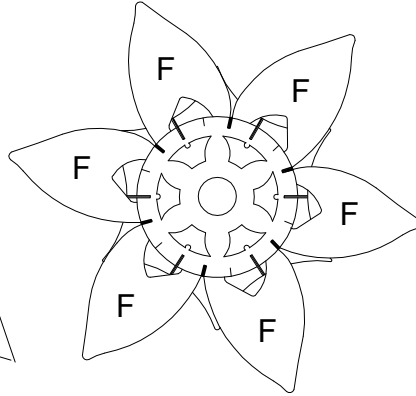
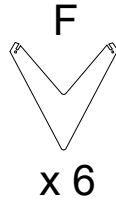
1



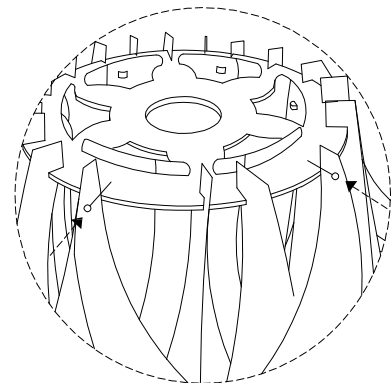
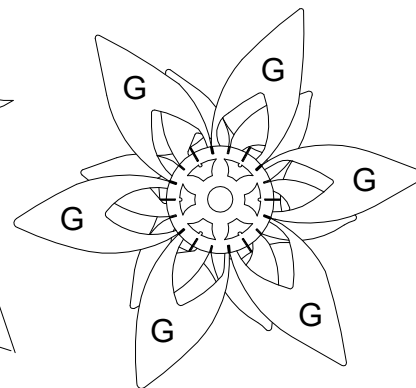
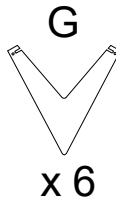
2



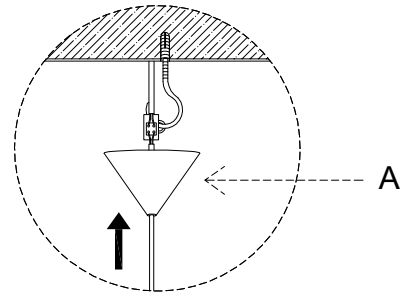
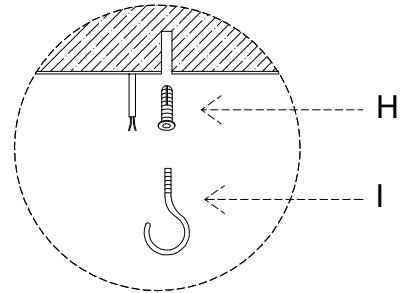
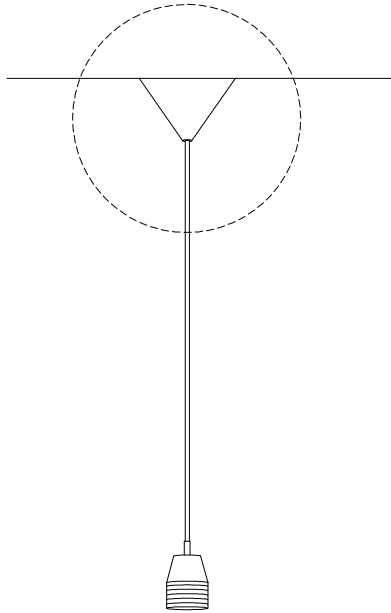
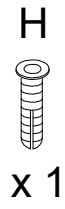
3



4



5

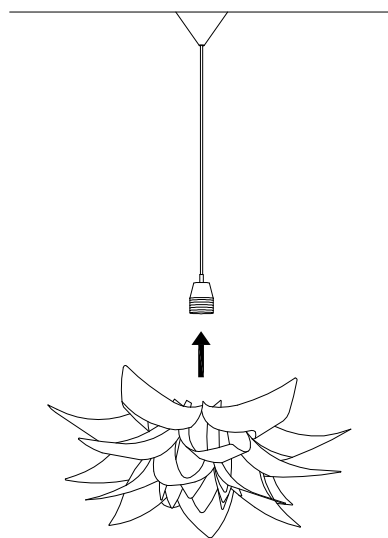


6

B



x 1



C



x 1

7

