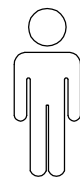
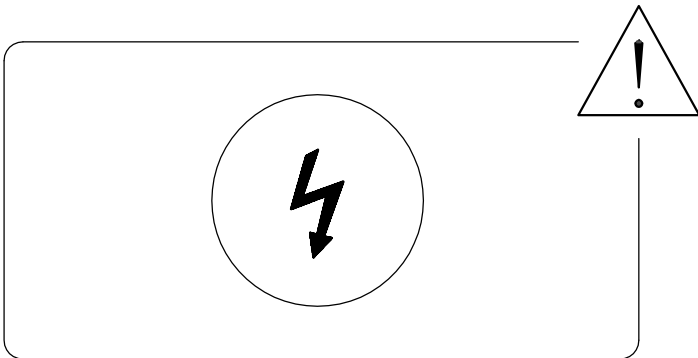
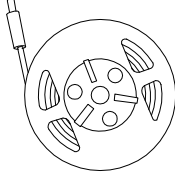
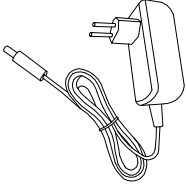
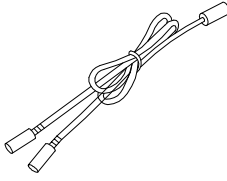
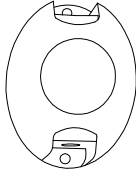
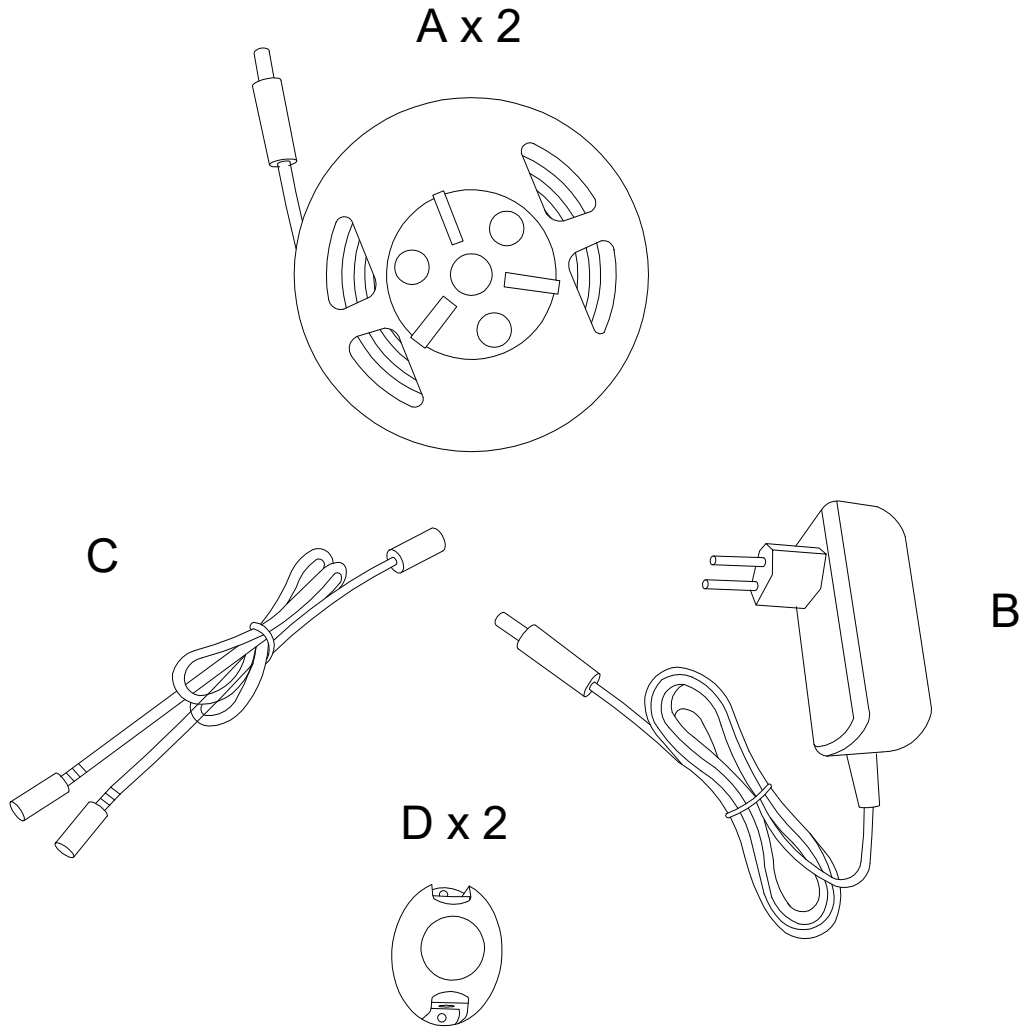


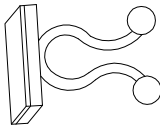

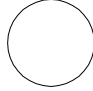
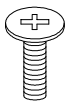
20'



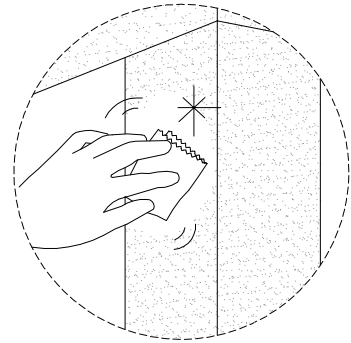
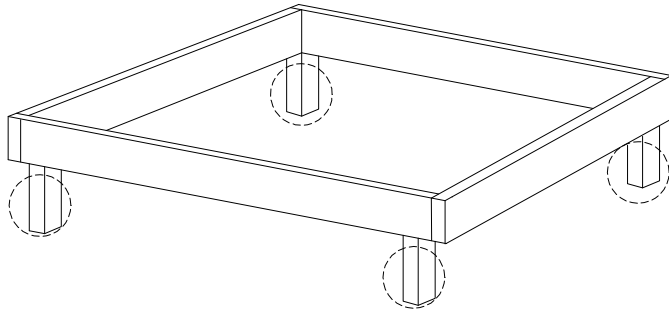
1

A	B	C	D
			
x 2	x 1	x 1	x 2

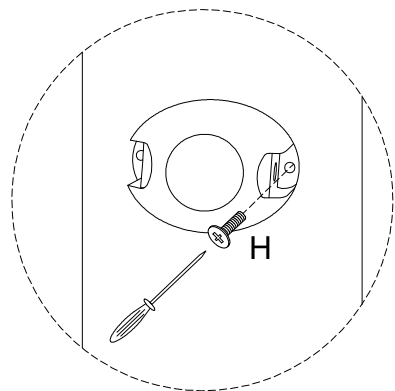
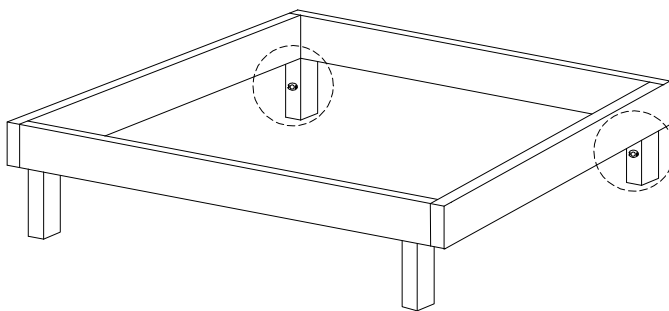
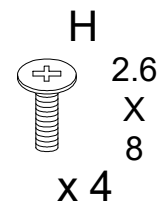
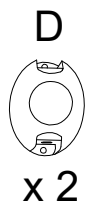


E	F	G	H
			
x 2	x 2	x 2	2.6 X 8 x 4

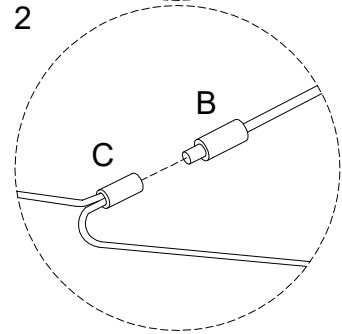
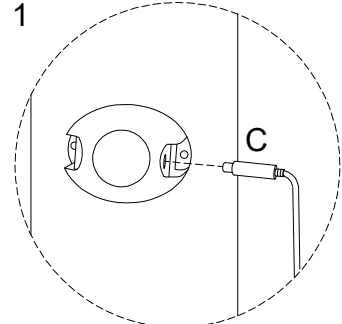
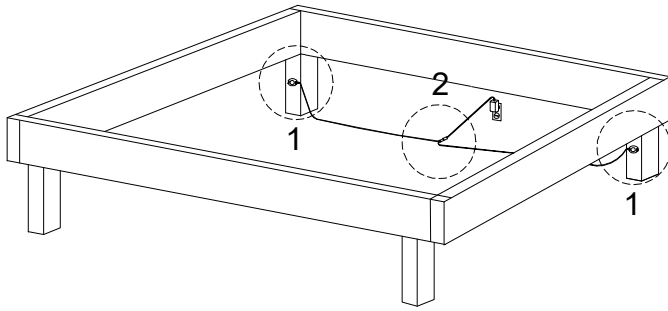
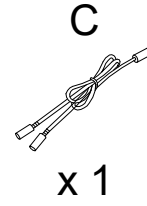
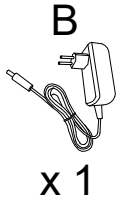
!



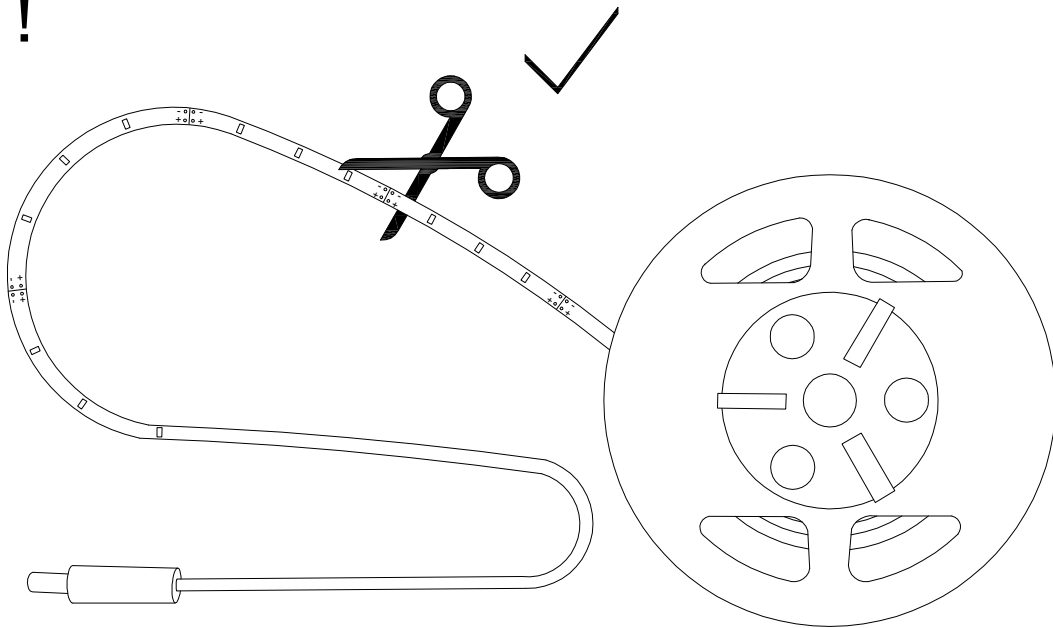
1



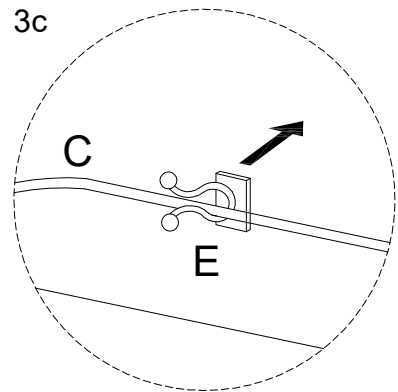
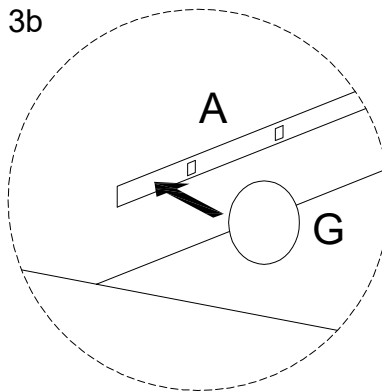
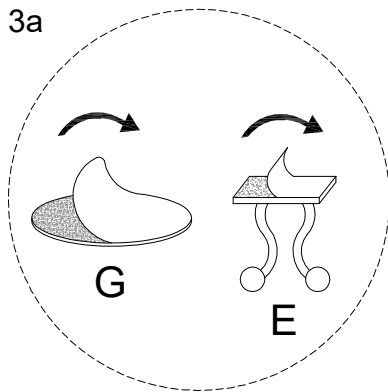
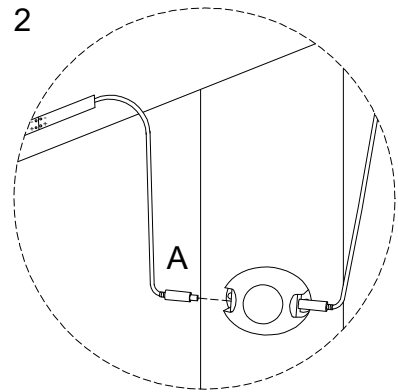
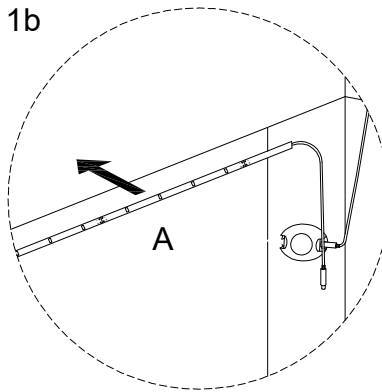
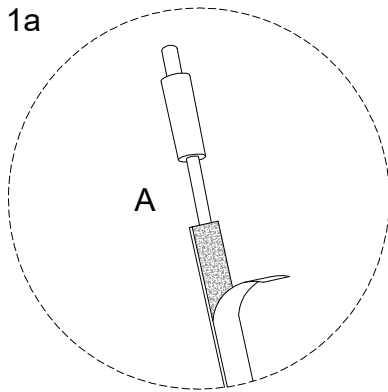
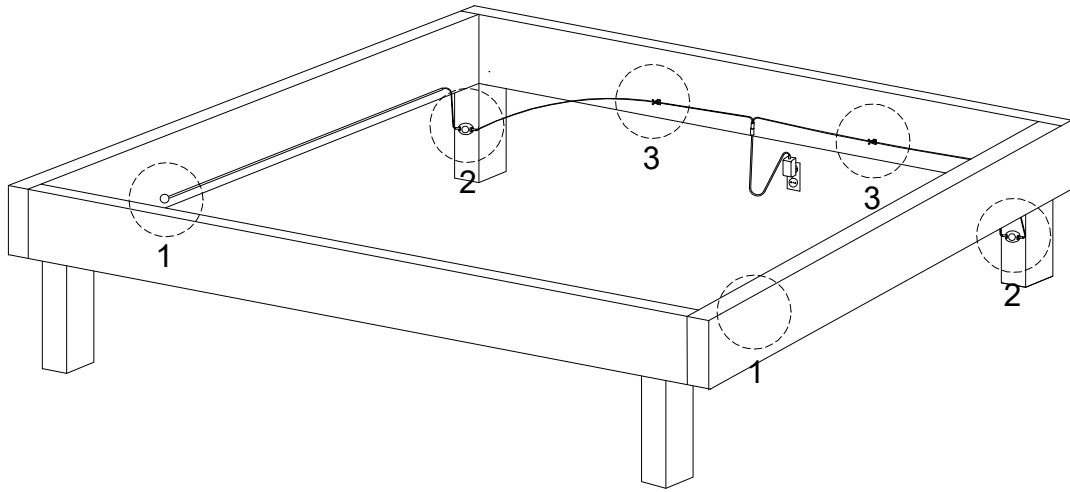
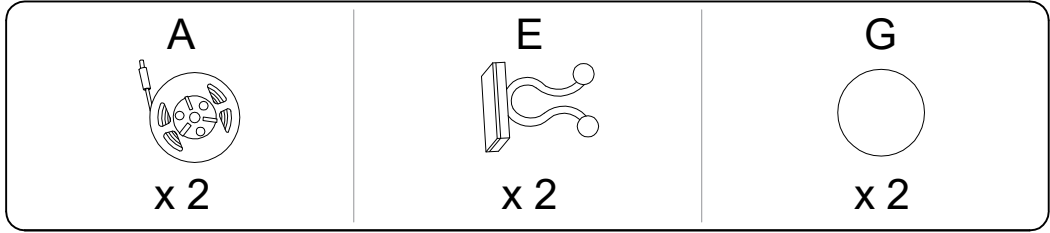
2



!



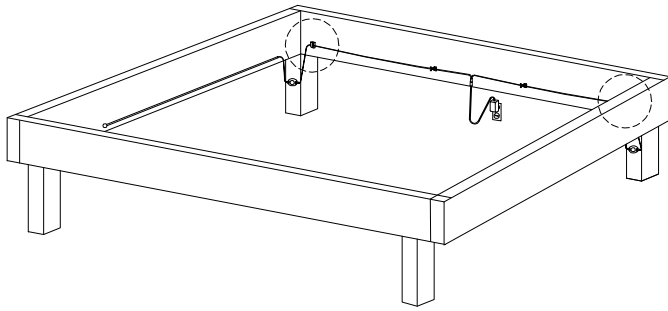
3



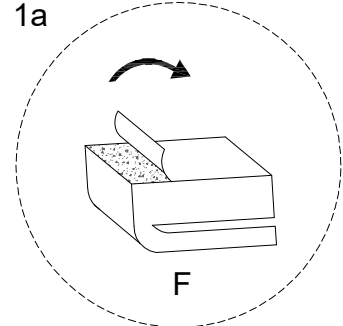
4

F

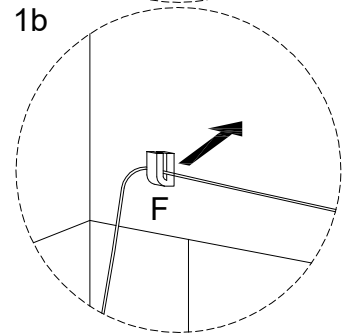
x 2



1a



1b



!

