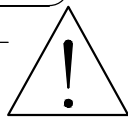
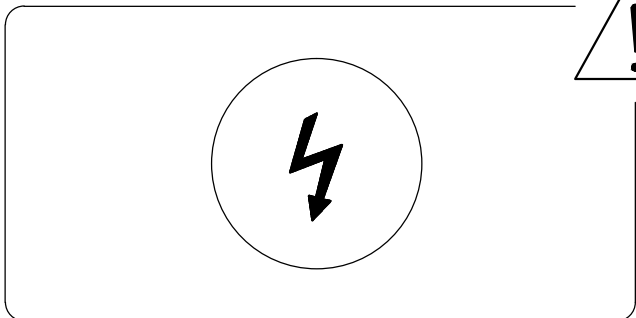
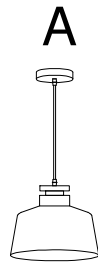


20'



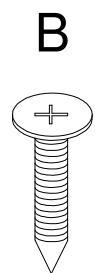
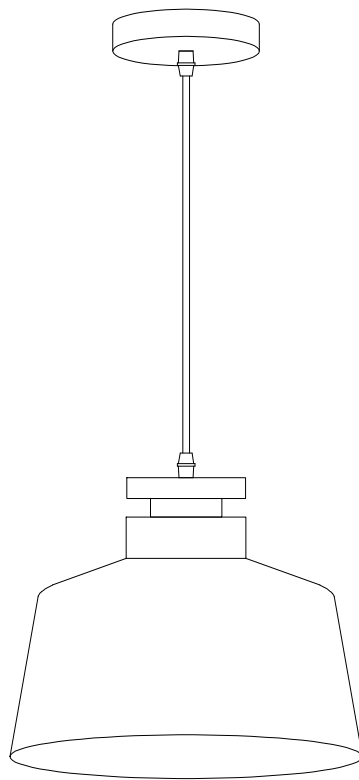
1

1/3

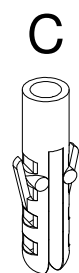


x 1

A

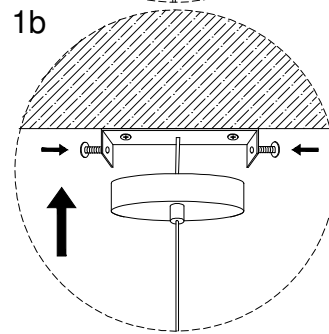
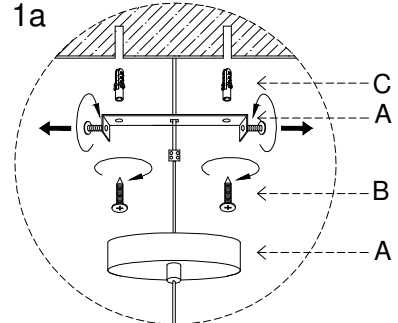
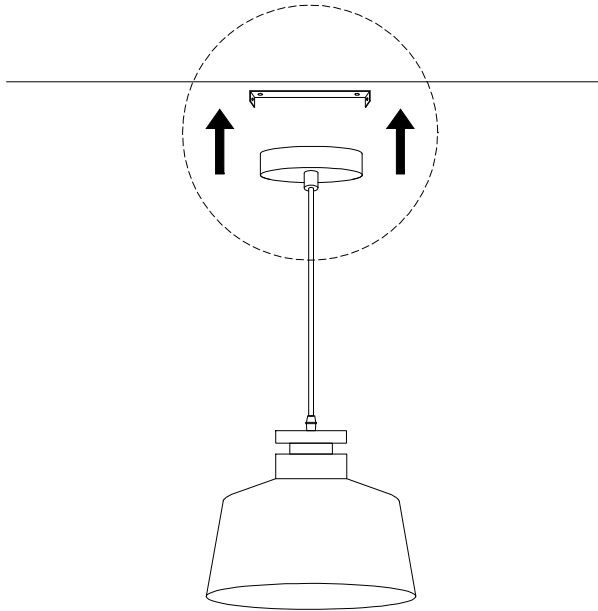
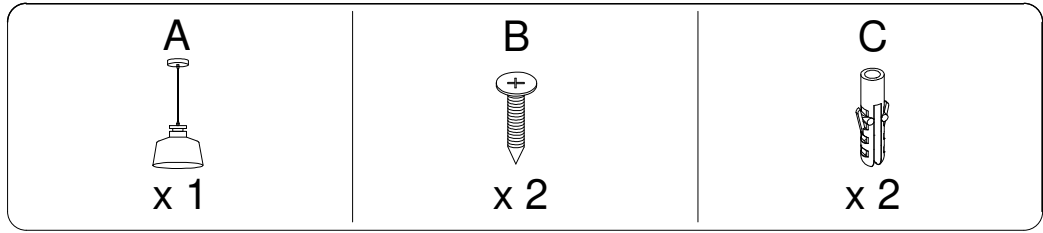


x 2



x 2

1



2

