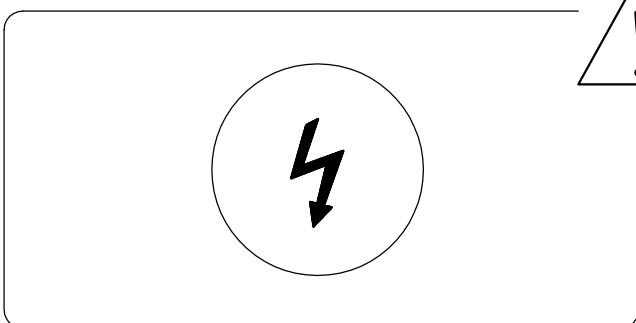
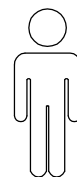


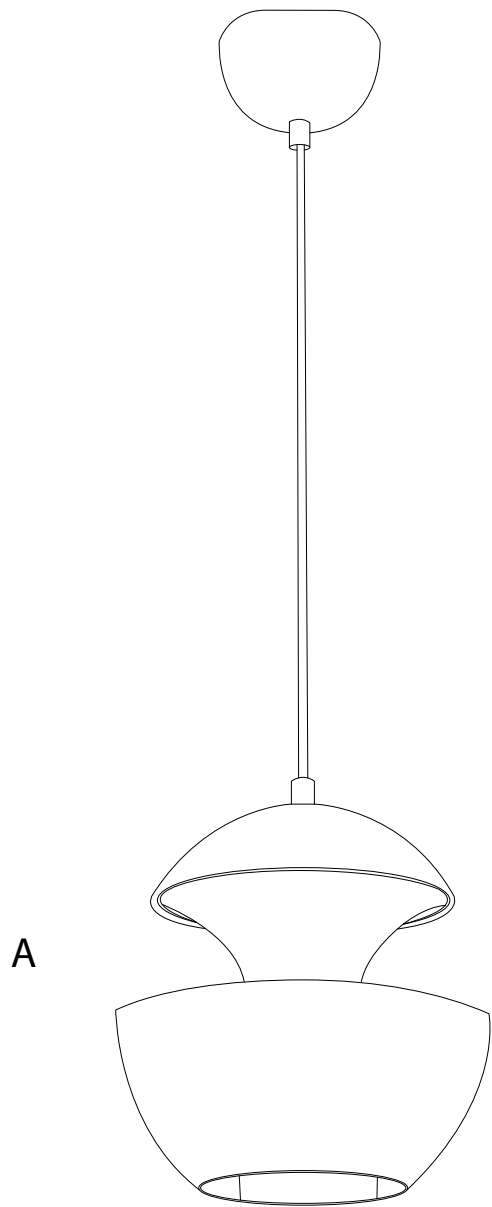
15'



1/4



1

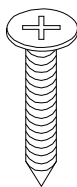


A



x 1

B



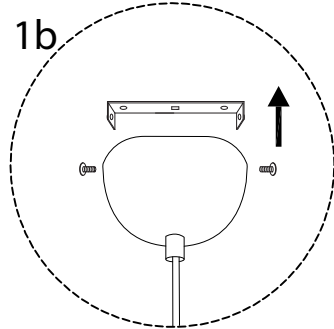
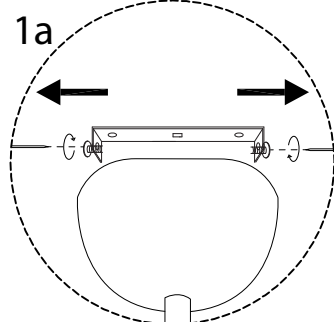
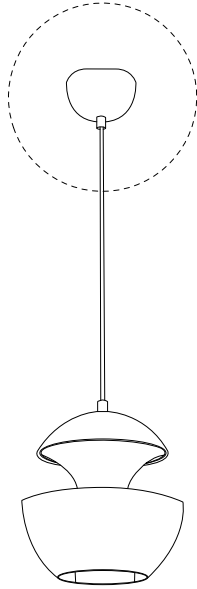
x 2

C

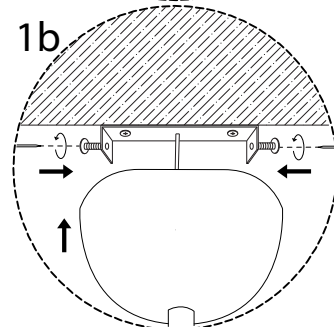
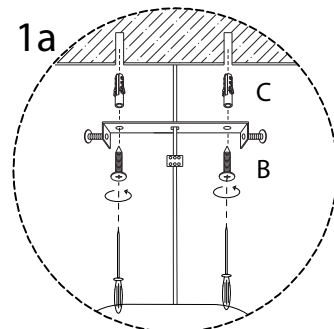
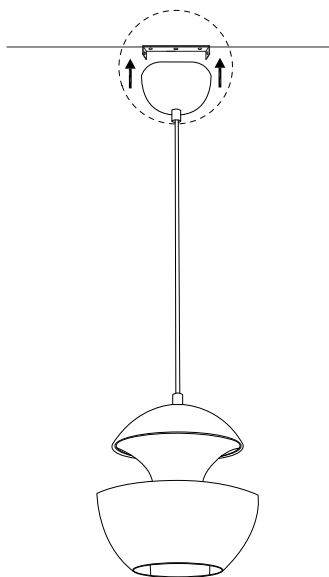
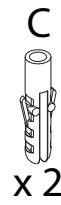
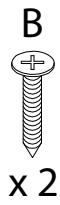


x 2

1



2



3

