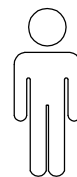
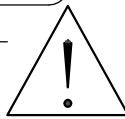
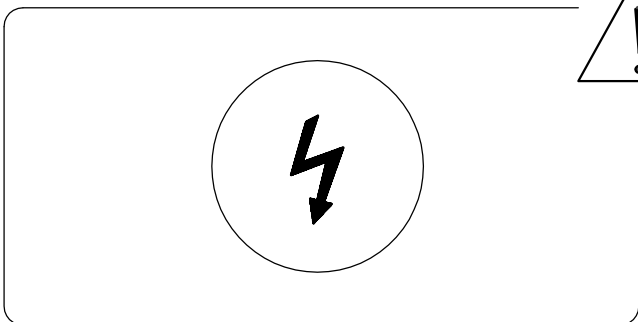
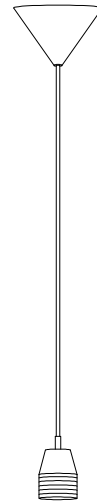
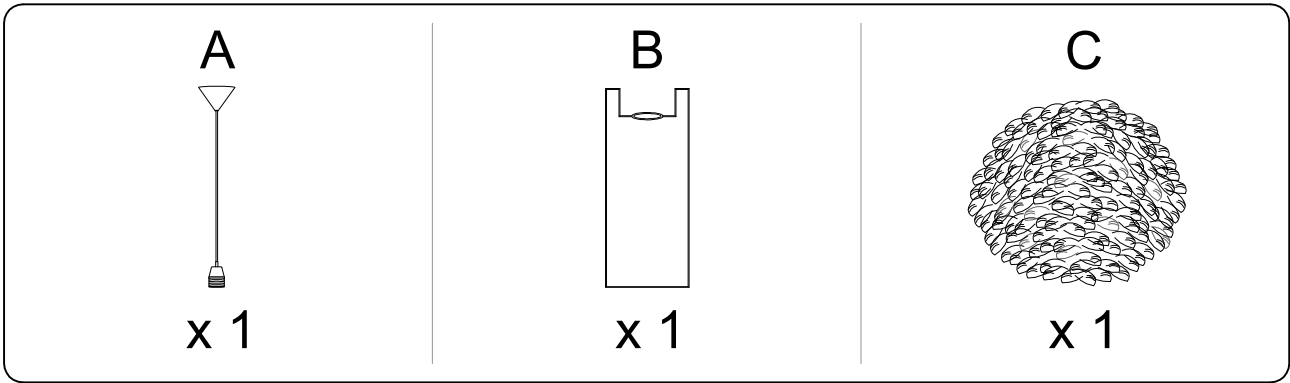


20'

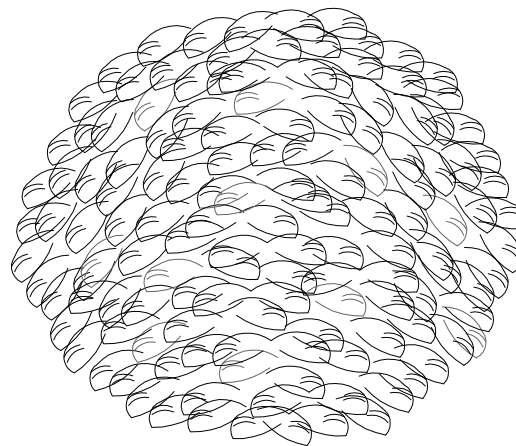
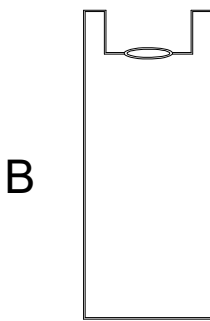


1

1/4



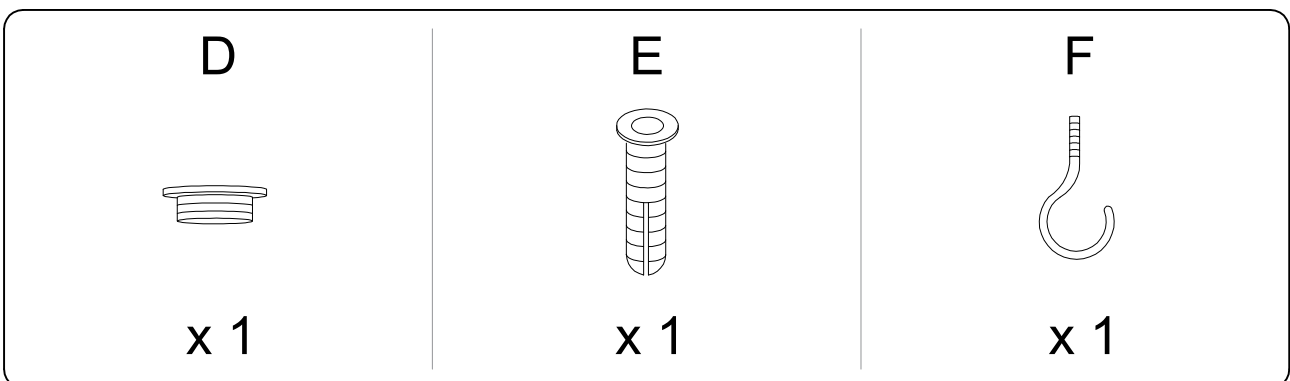
A



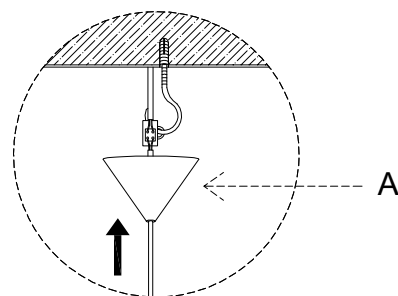
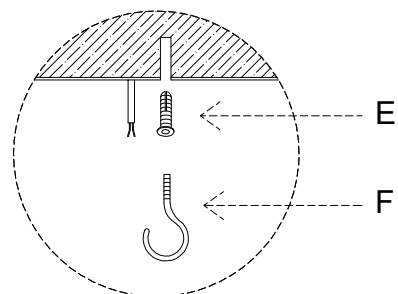
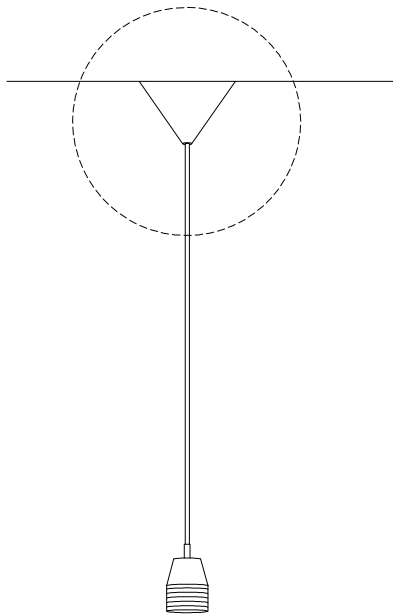
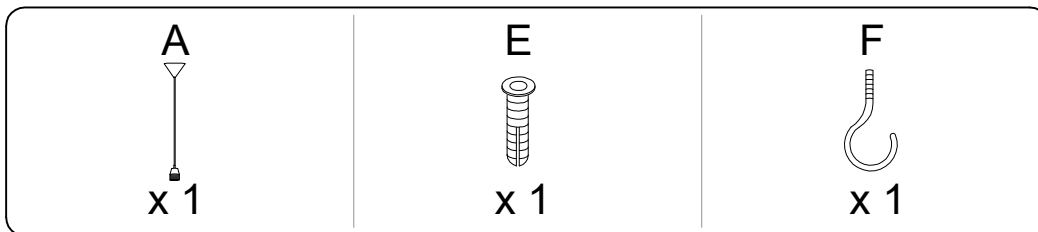
C



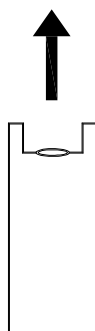
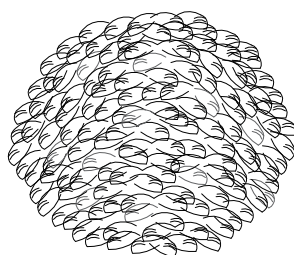
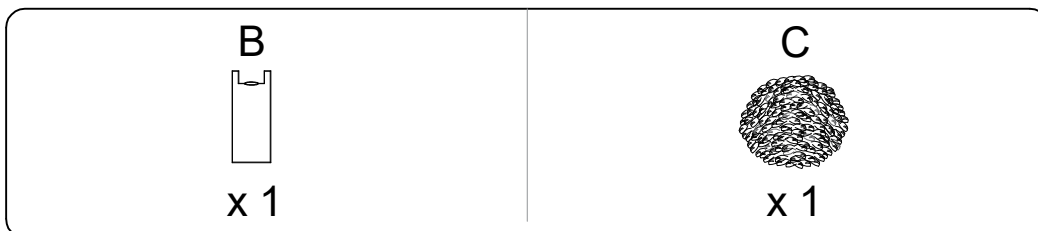
D



1



2

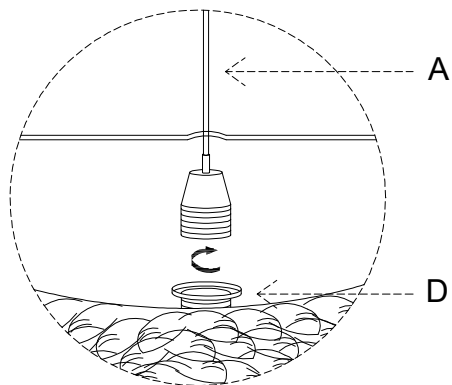
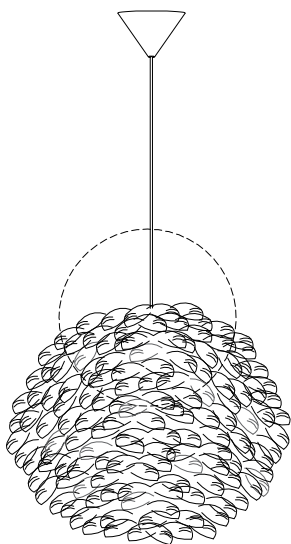


3

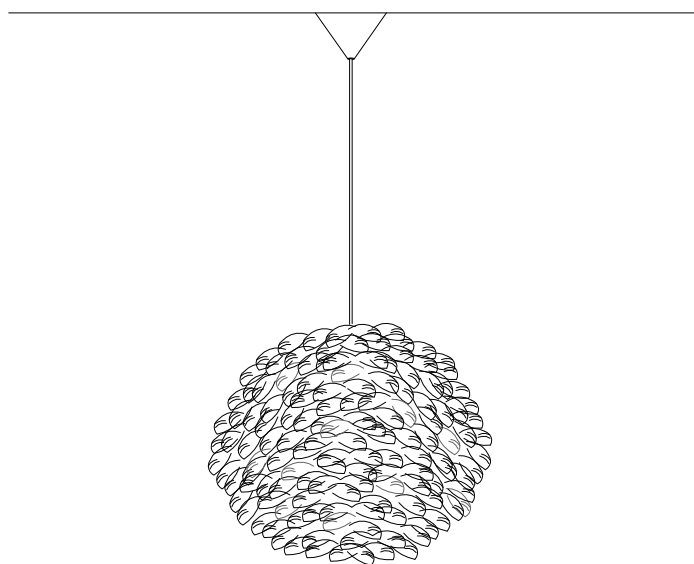
D



x 1



4



4/4