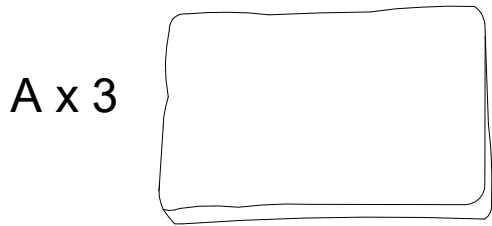
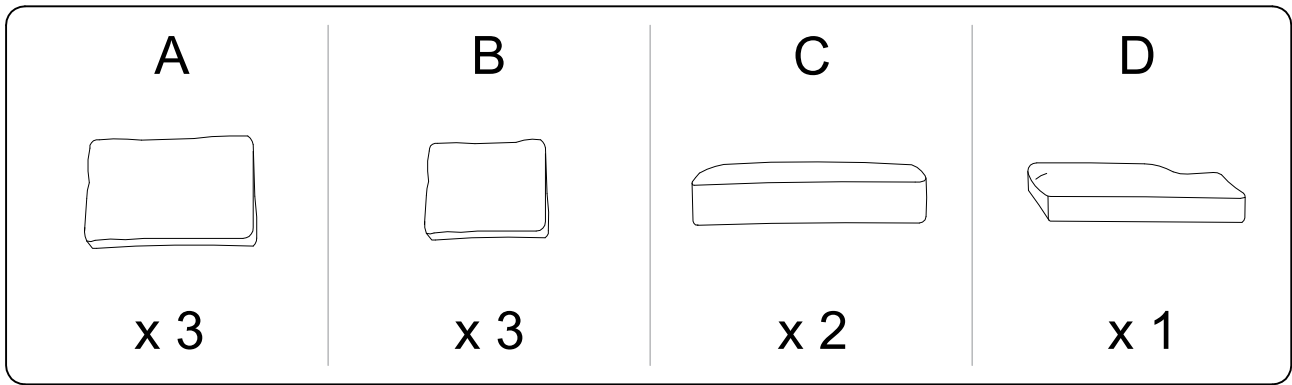


Assembly instructions for the sofa:

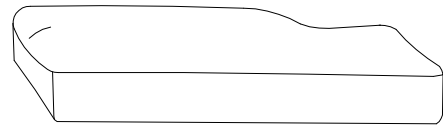
- Warning 1:** Do not use a power drill. Use an Allen key (shown in a circle) to tighten the screws.
- Warning 2:** Do not use a screwdriver to tighten the screws. Use a block of wood (shown in a circle) to support the seat from underneath.

Estimated Time: 20' (shown with a clock icon)

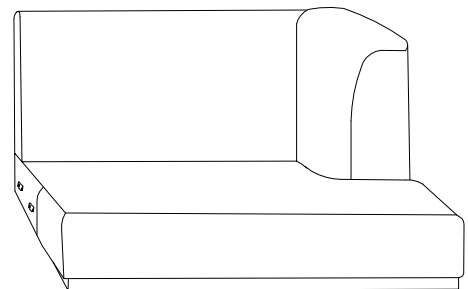
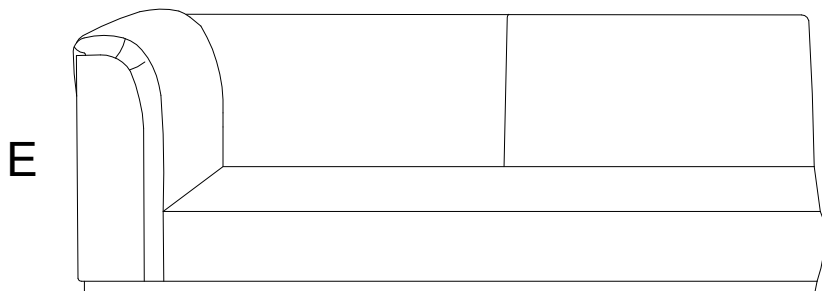
Number of People: 2 (shown with a person icon)



B x 3



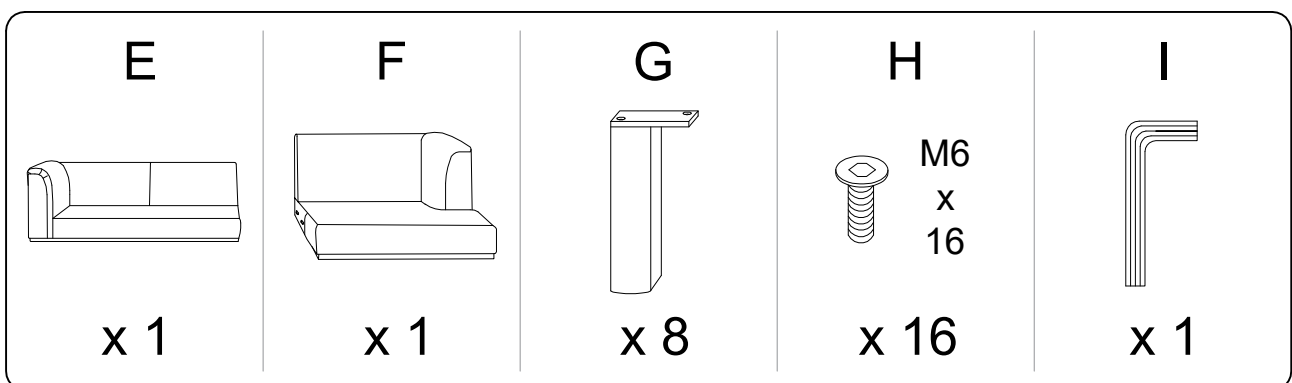
D



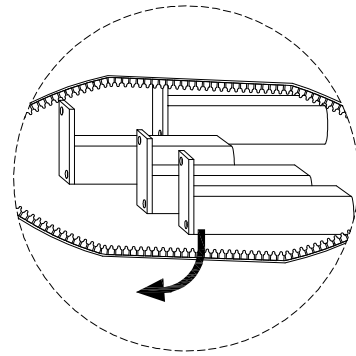
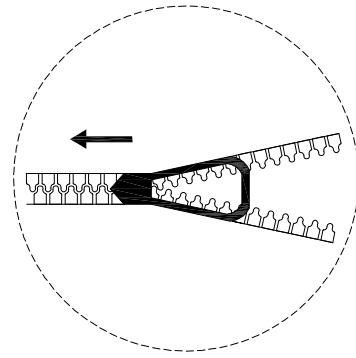
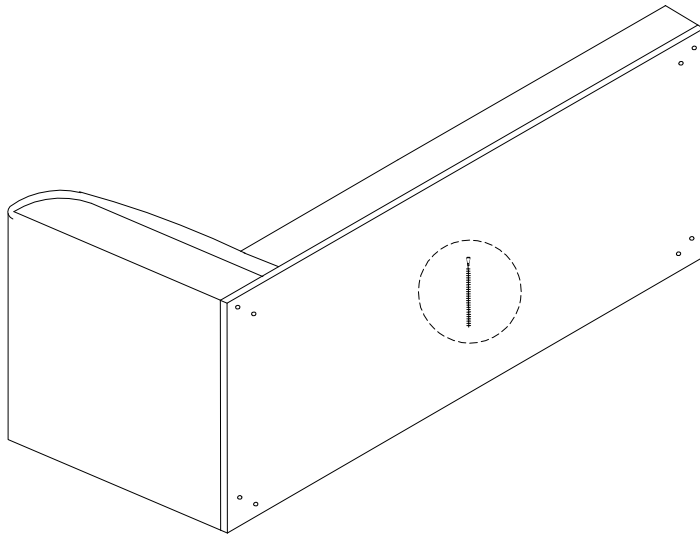
F



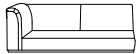
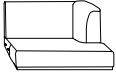


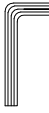
G x 8

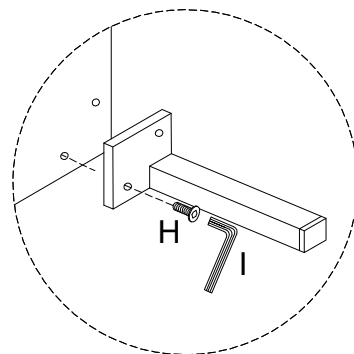
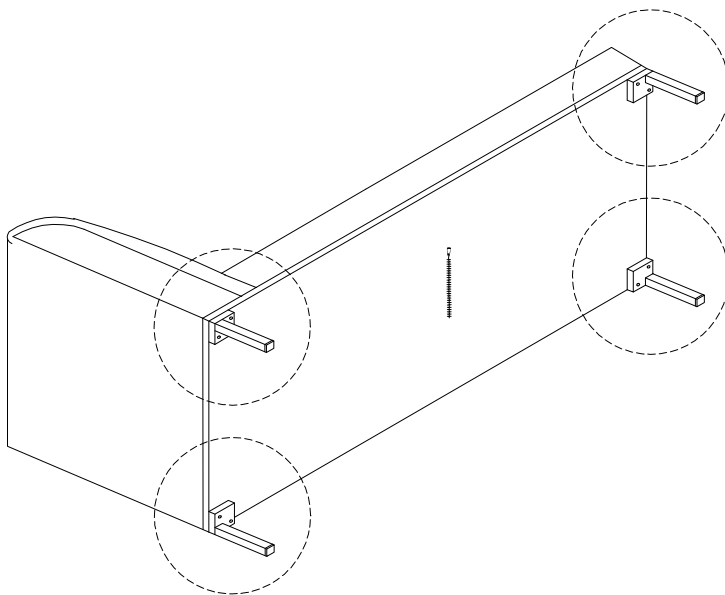


!

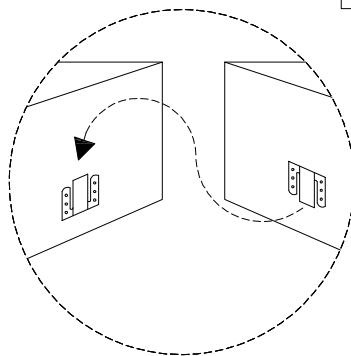
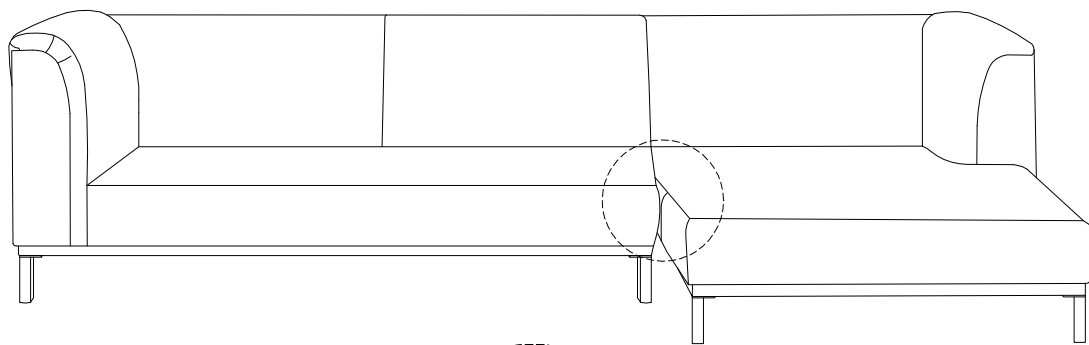


1

E  x 1	F  x 1	G  x 8	H  M6 x 16 x 16	I  x 1
--	--	--	--	--



2



3

