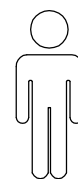
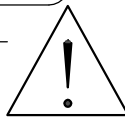
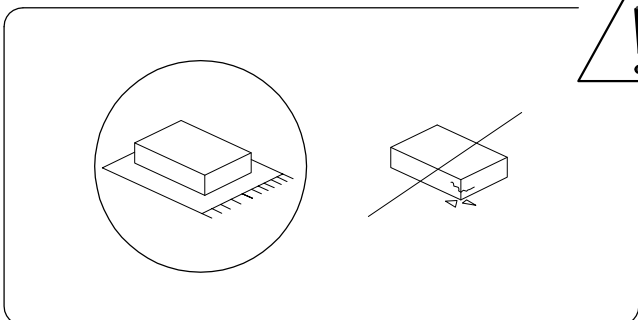
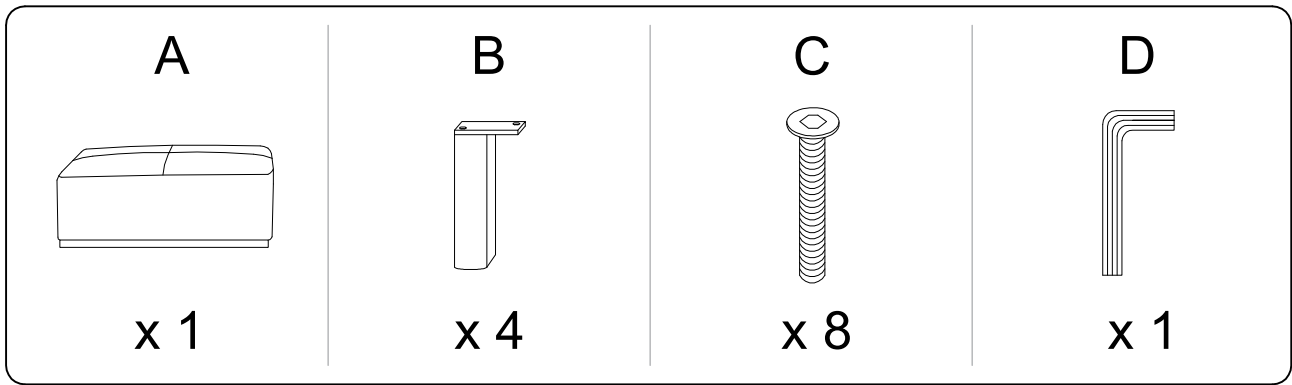


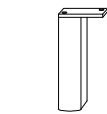
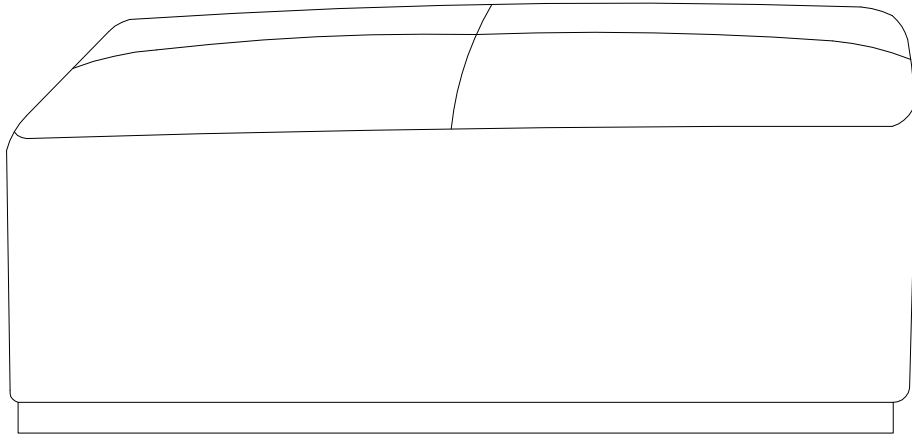
10'



2



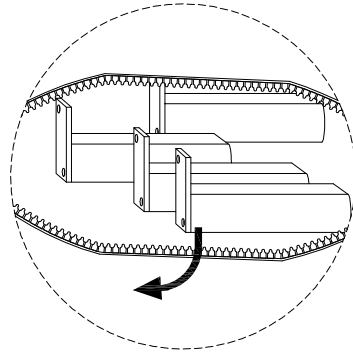
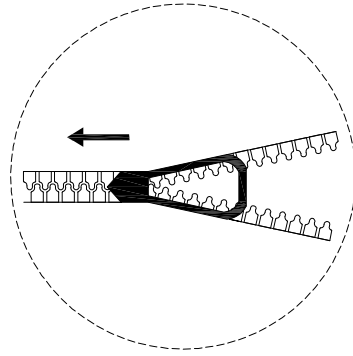
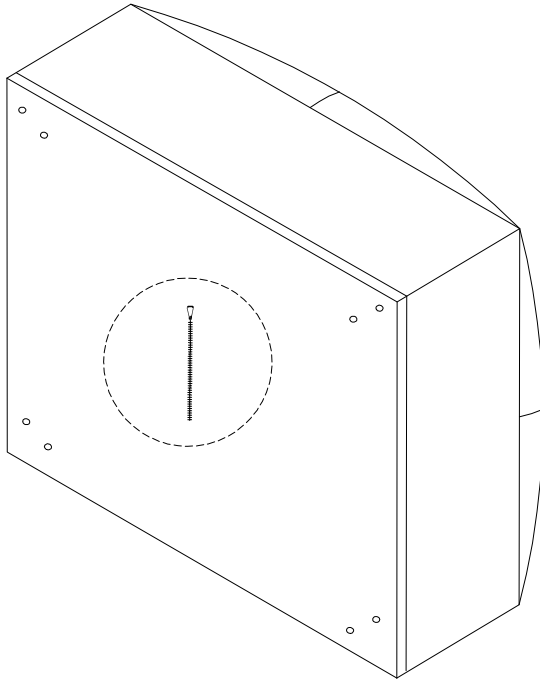
A



B x 4



!



1

