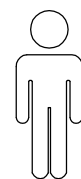
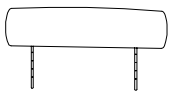

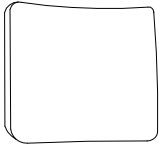



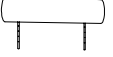

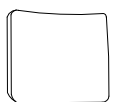


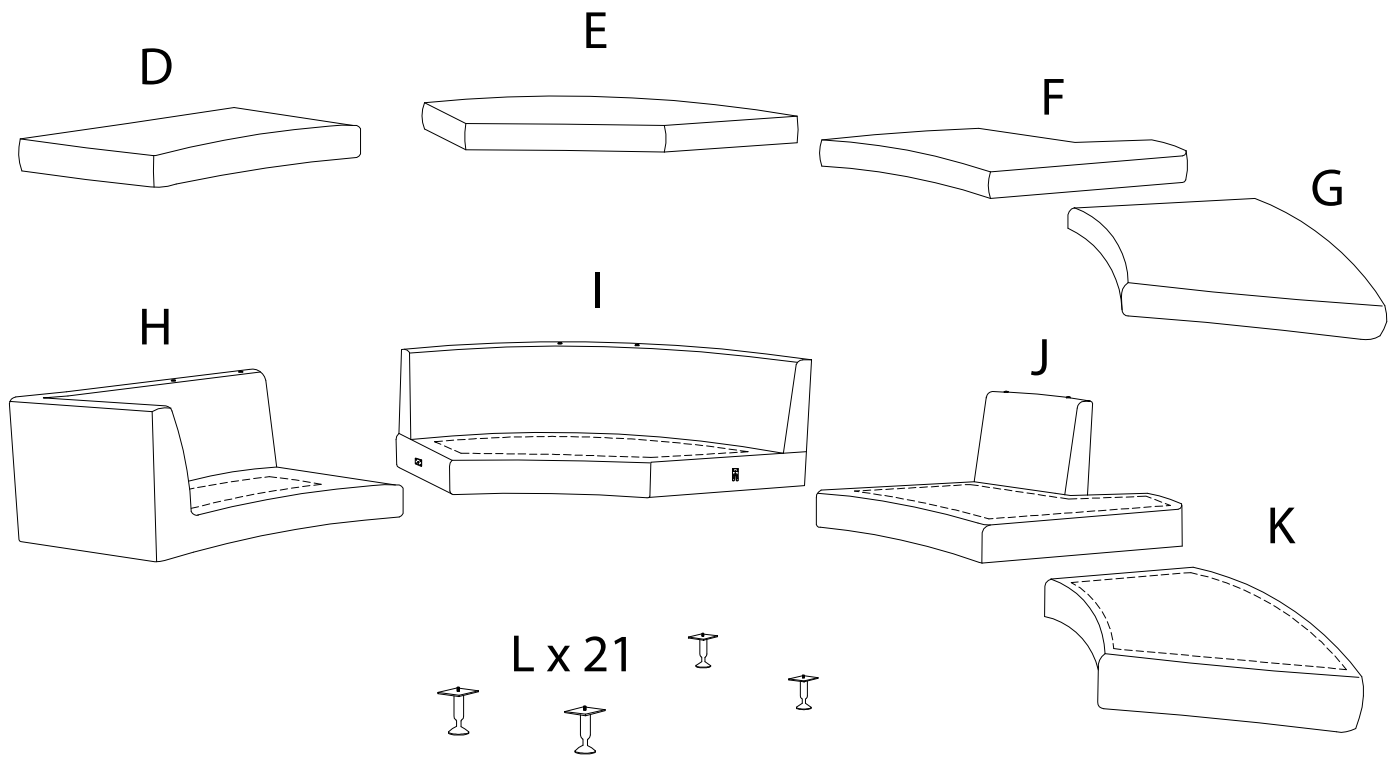
40'

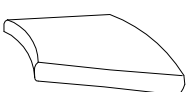
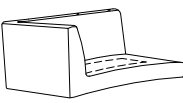
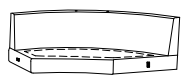

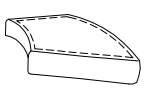
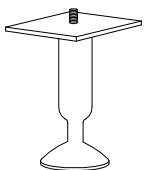


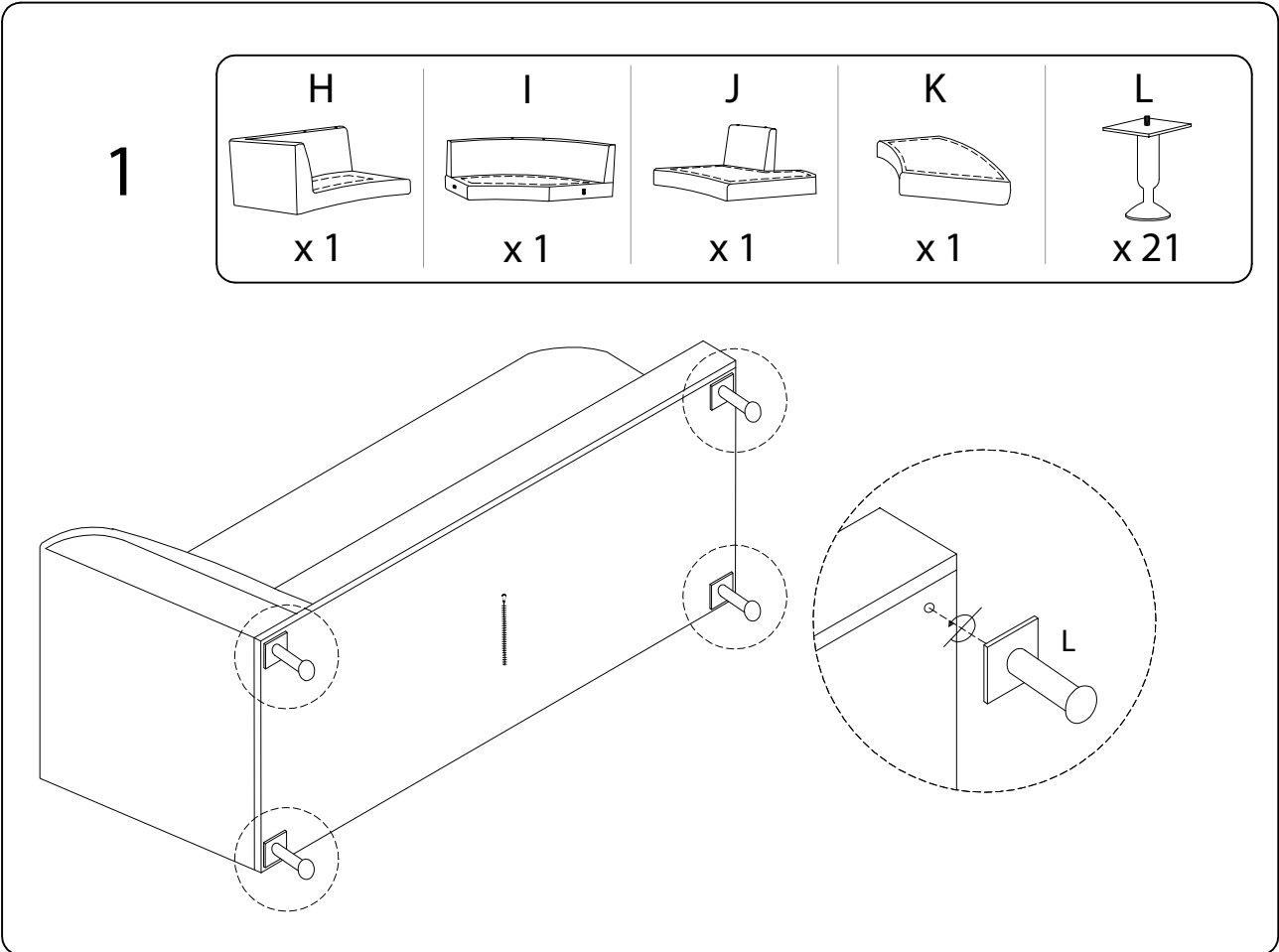
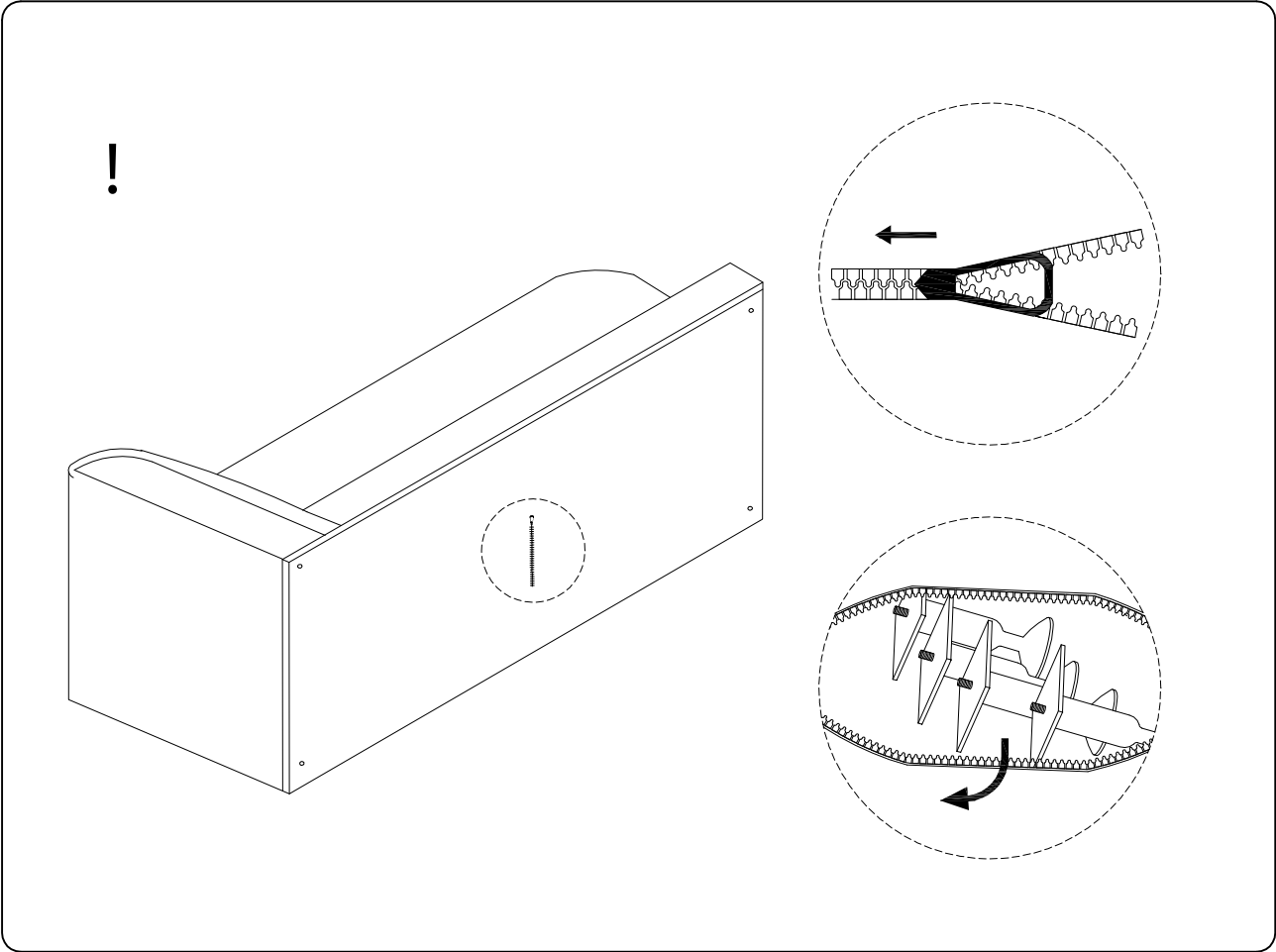
2

A	B	C	D	E	F
					
x 3	x 3	x 5	x 1	x 1	x 1

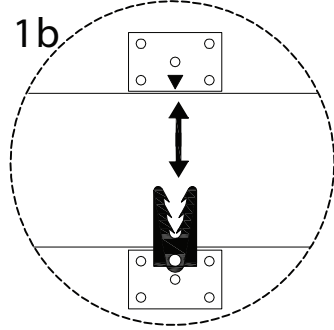
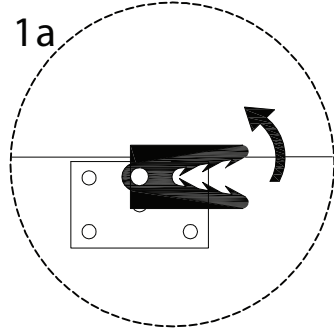
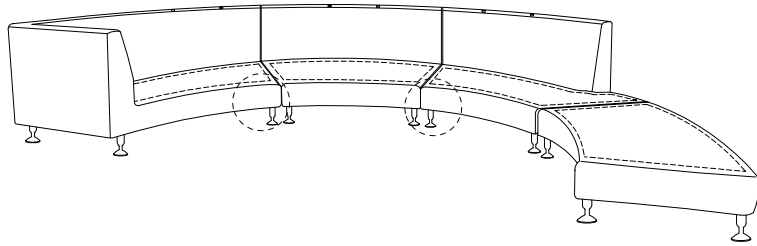
- 
A x 3
- 
B x 3
- 
C x 5



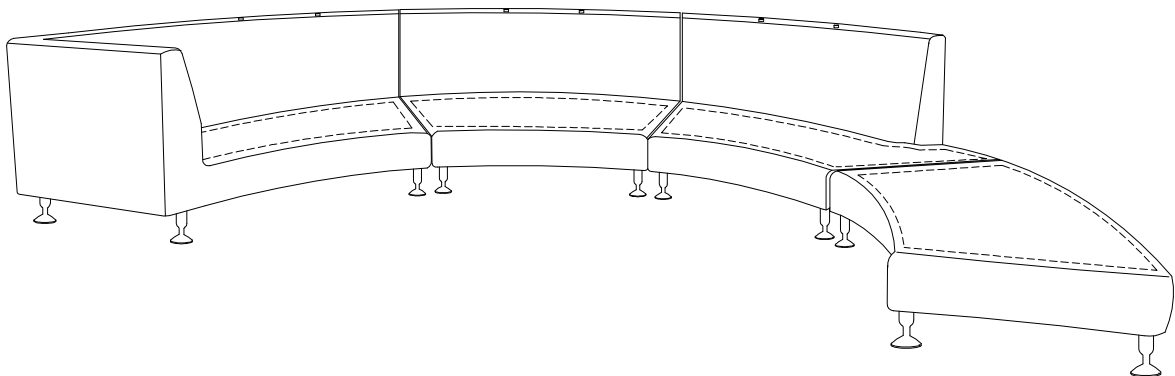
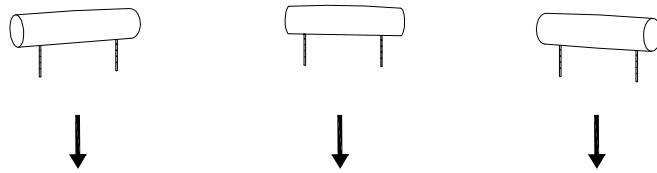
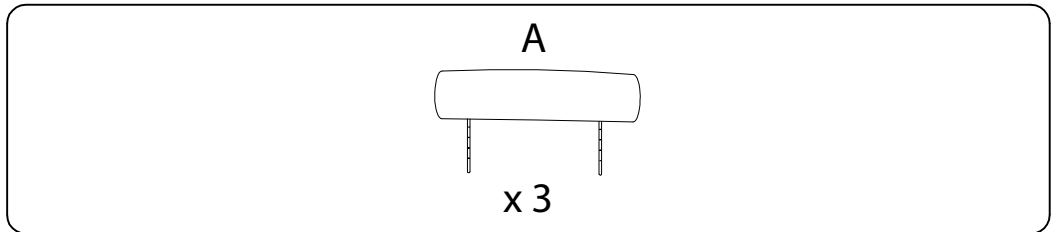
G	H	I	J	K	L
					
x 1	x 1	x 1	x 1	x 1	x 21




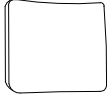
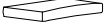



2



3



4

B	C	D	E	F	G
					
x3	x5	x1	x1	x1	x1

