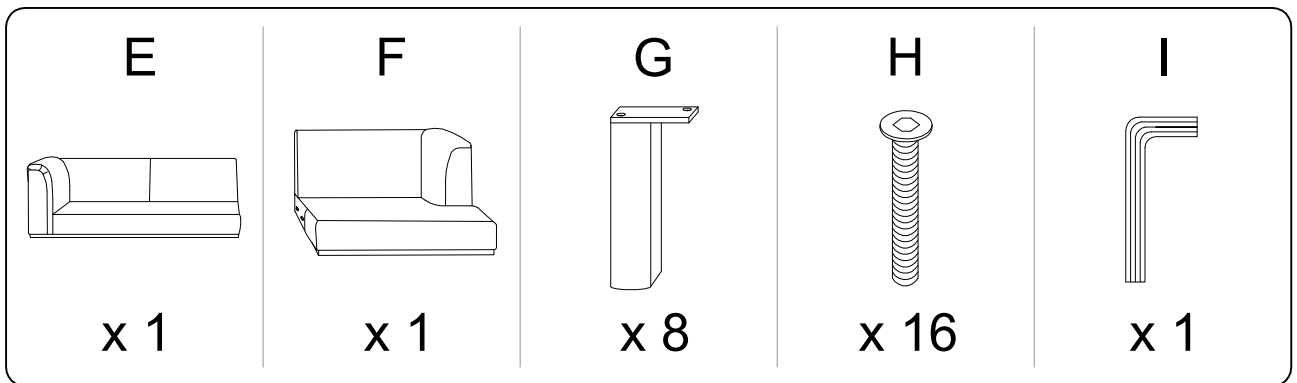
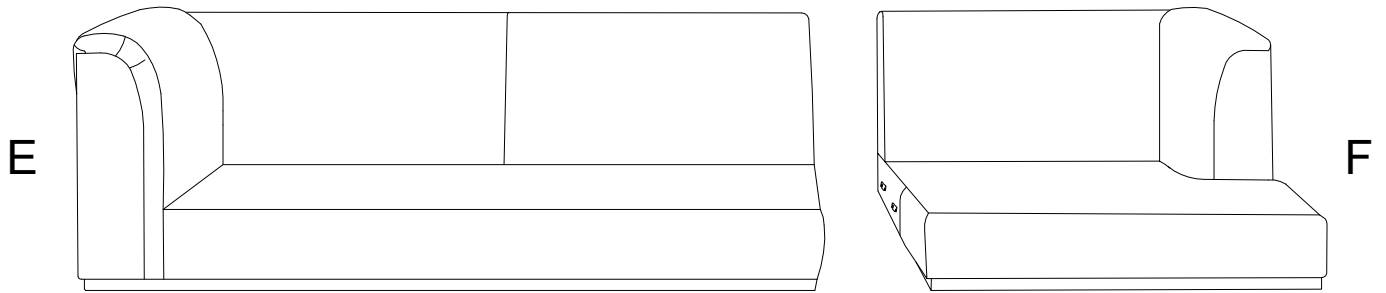
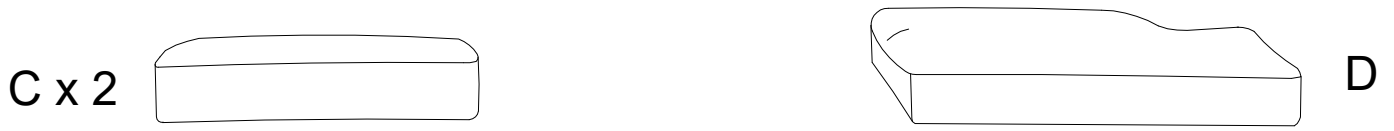
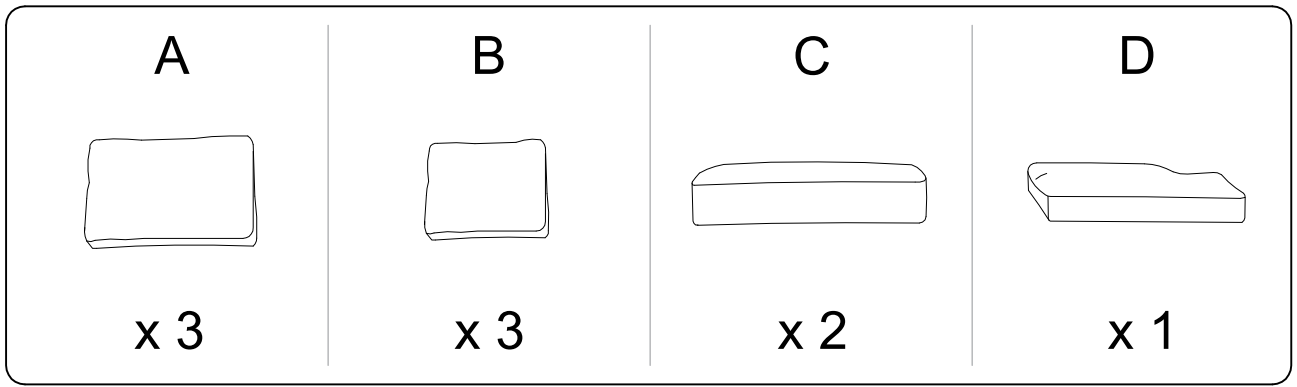
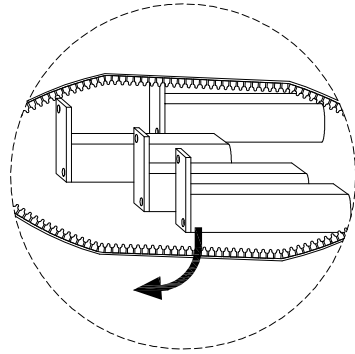
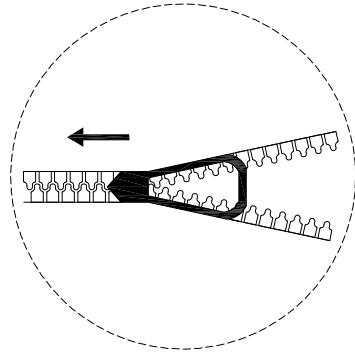
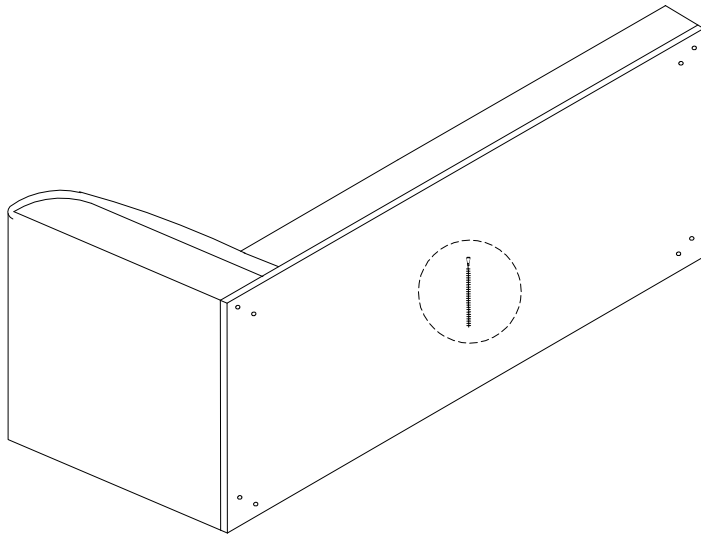


Diagram illustrating assembly instructions and safety warnings:

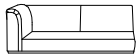
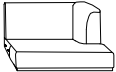


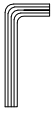
- Warning 1:** A triangle with an exclamation mark points to a box containing an L-shaped corner bracket and a crossed-out power drill, indicating that a power drill should not be used for this step.
- Warning 2:** A triangle with an exclamation mark points to a box containing a rectangular block being placed on a textured surface and a crossed-out block with a screw, indicating that the block should be placed on a soft surface and not fastened with a screw.
- Time:** A clock icon is positioned above the number **20'**, indicating a 20-minute assembly time.
- Personnel:** A person icon is positioned above the number **2**, indicating that two people are required for assembly.

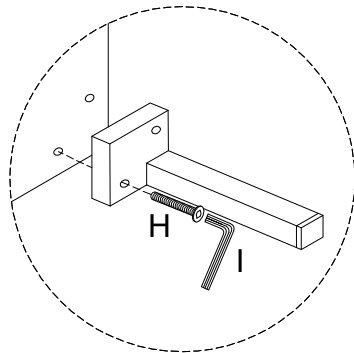
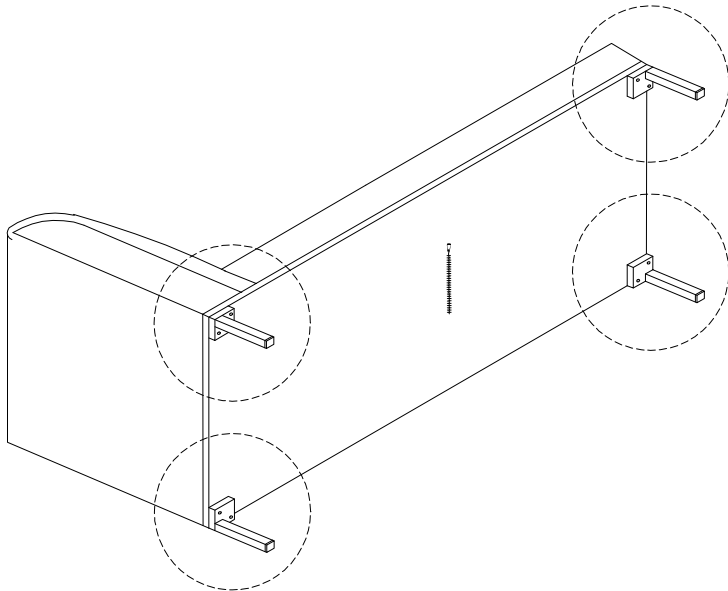


!

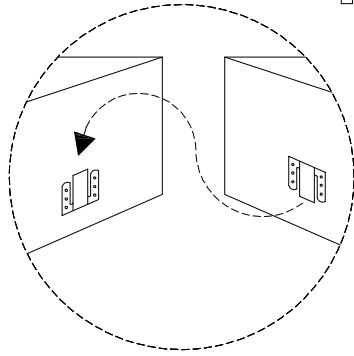
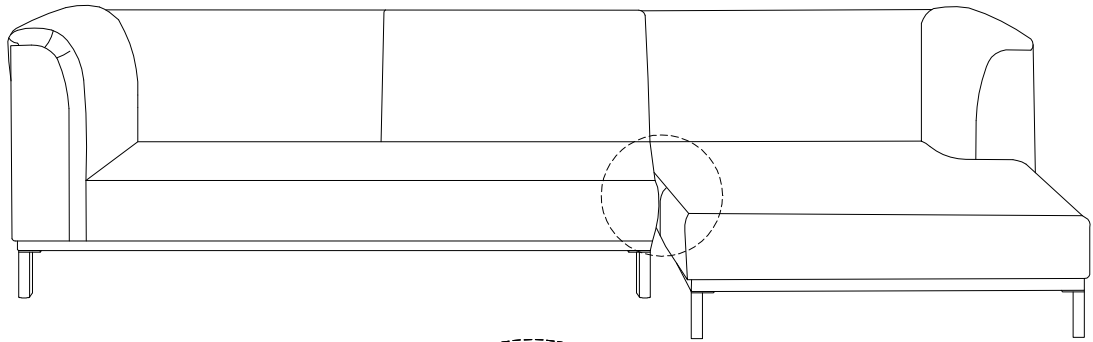


1

E  x 1	F  x 1	G  x 8	H  x 16	I  x 1
--	--	--	---	--



2



3

