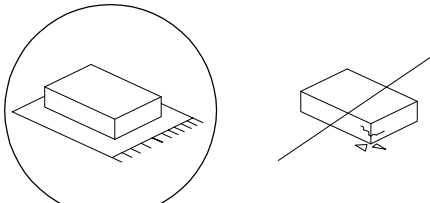
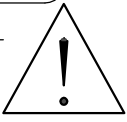
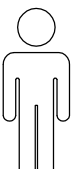

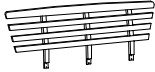
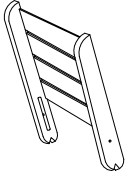
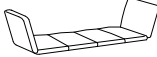

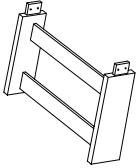
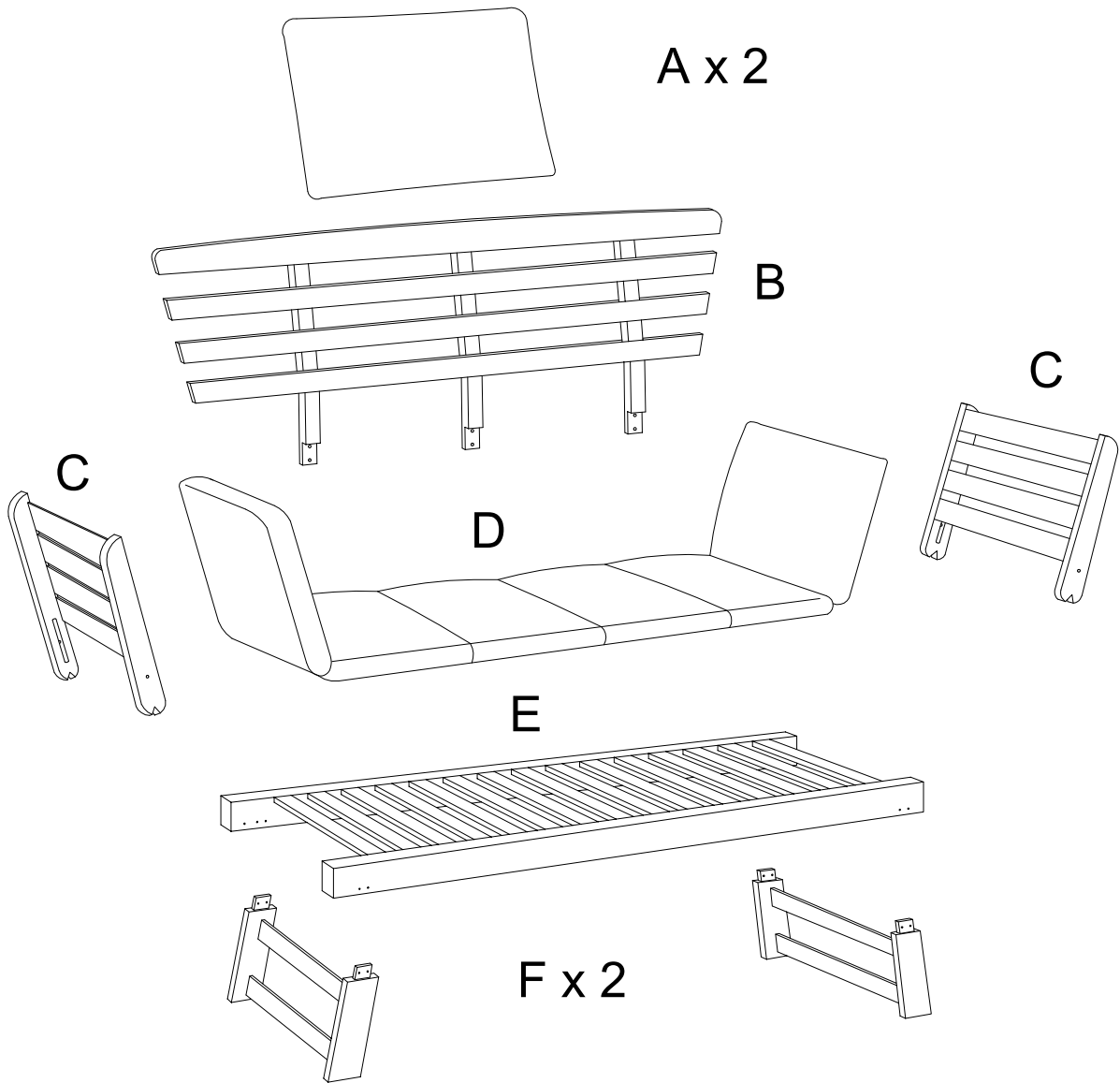
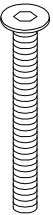
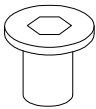
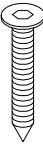
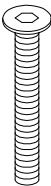
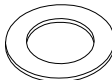
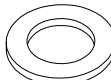
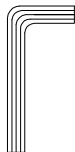
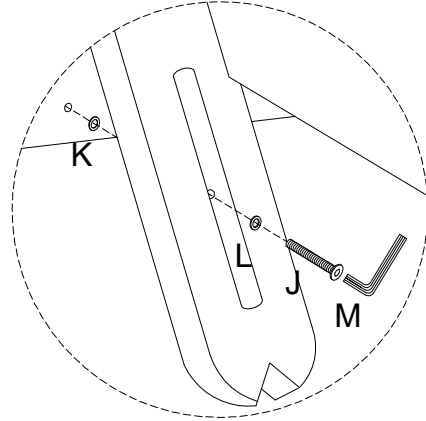
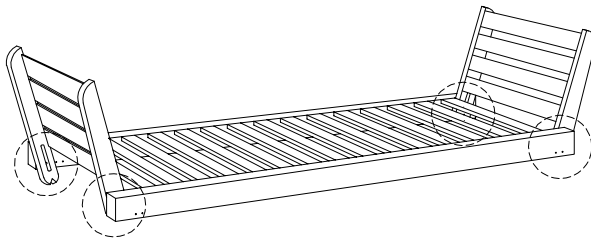
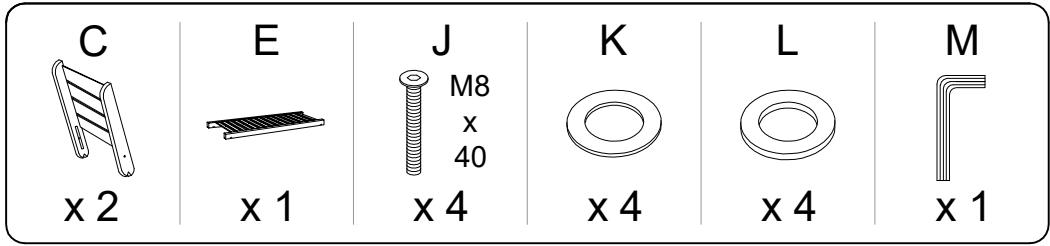

		40'
		
		2

A	B	C	D	E	F
					
x 2	x 1	x 2	x 1	x 1	x 2

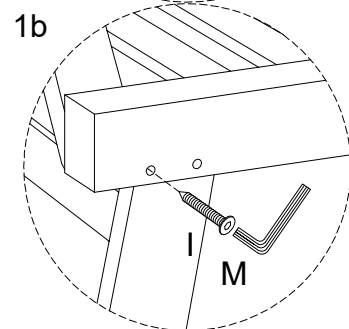
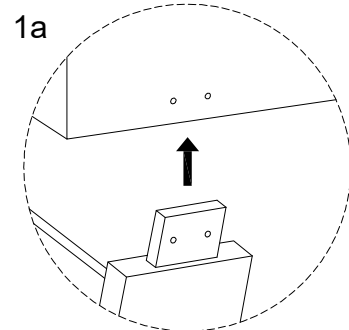
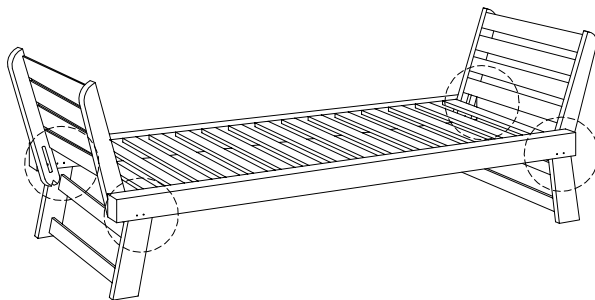
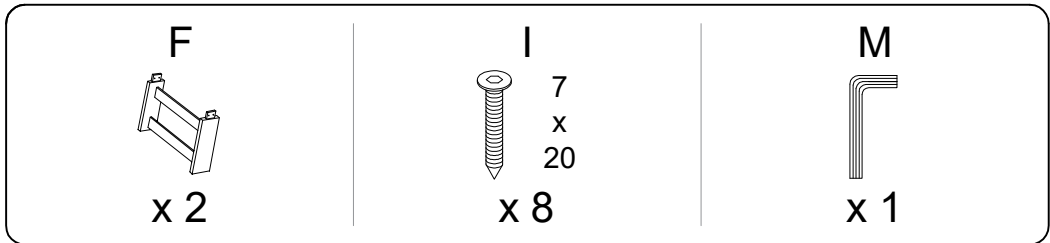


G	H	I	J	K	L	M
 M8 x 50		 7 x 20	 M8 x 40			
x 6	x 6	x 8	x 4	x 4	x 4	x 2

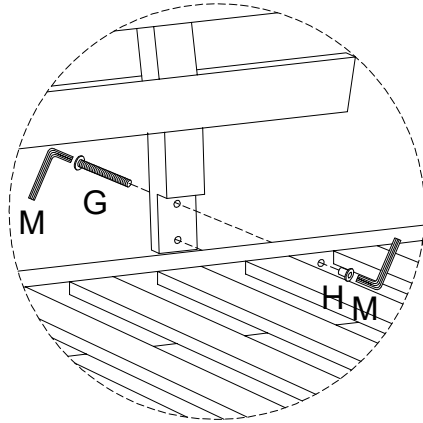
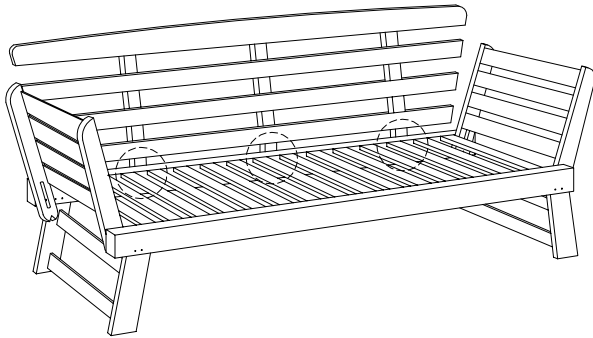
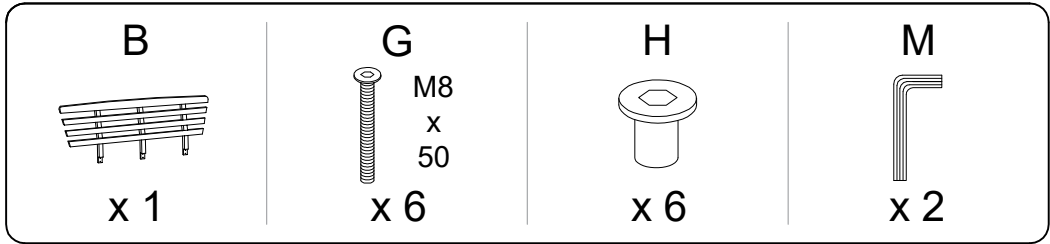
1



2



3



4

