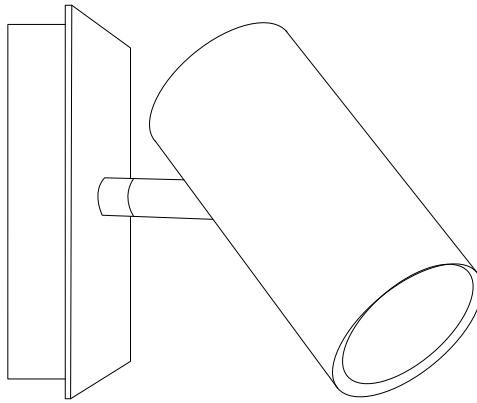
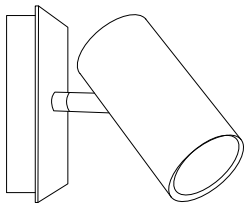


A

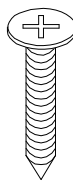


A



x 1

B



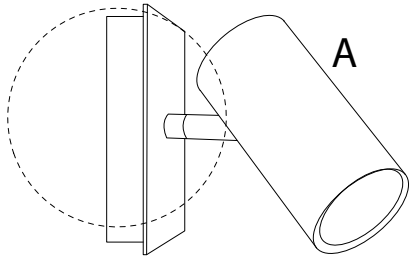
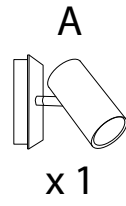
x 2

C

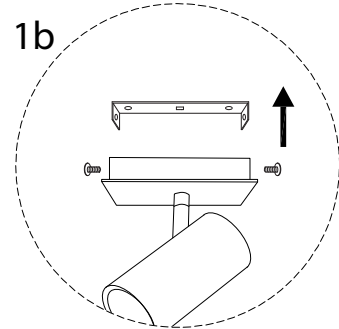
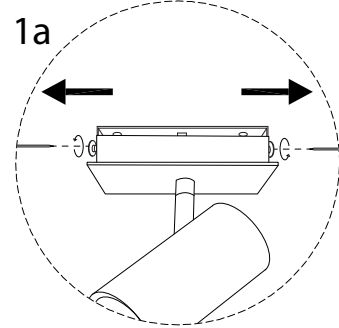
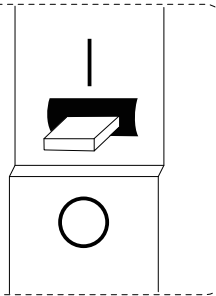


x 2

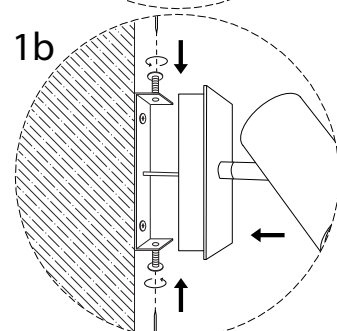
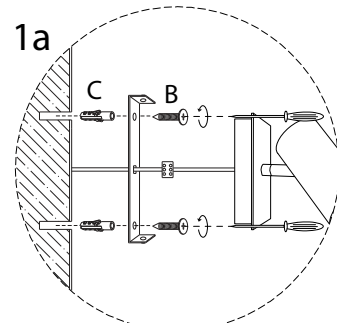
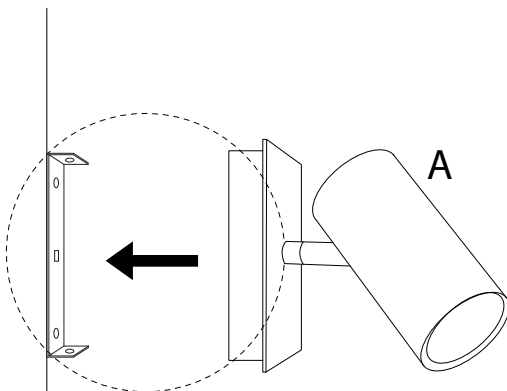
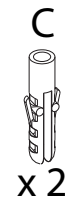
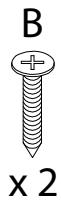
1



OFF



2



3

